

# SPECIFICATION FOR APPROVAL

\*\*\*\*\*

COMPANY NAME:

---

DATE: 2014-8-8

---

MODEL NO: SD2-401UR-A21

---

CUSTOMER PART NO:

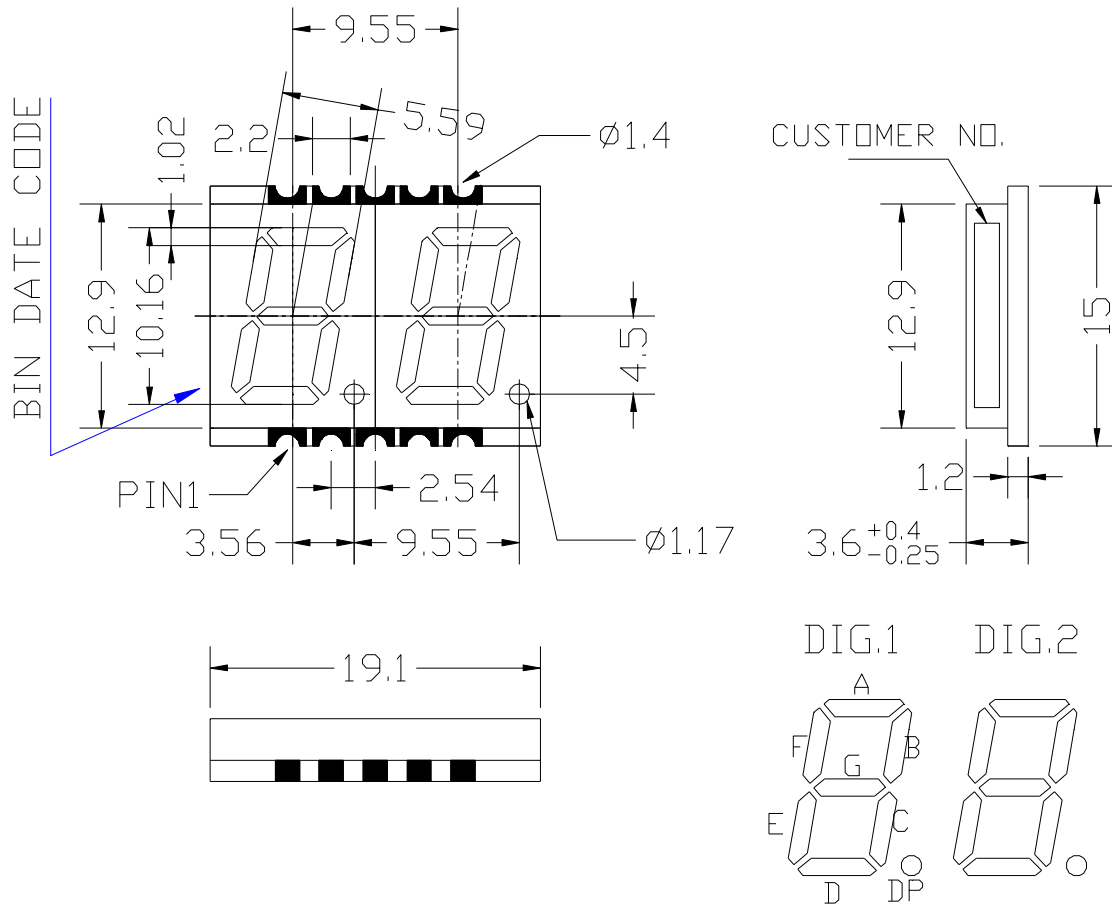
---

REV: 03

---

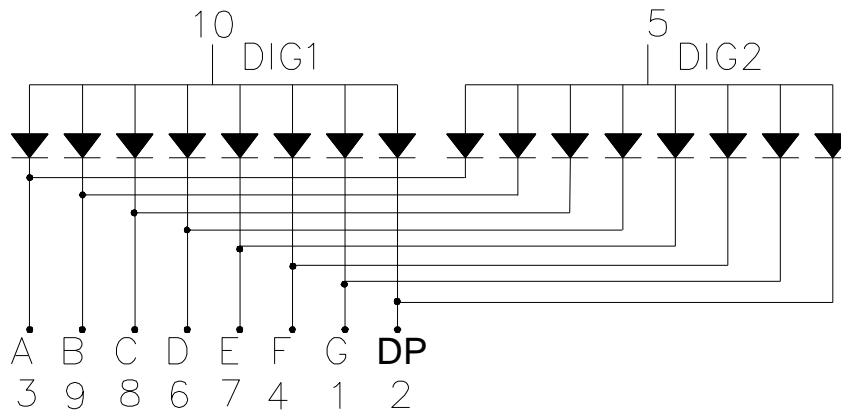
InterLED			CUSTOMER
Prepare by	Checked by	Approved by	
Huqinghe	Chenfok	Chenfok	
NOTE:			

■ **Outer Dimension:**



- Notes:**
1. Unless otherwise stated, the tolerance is  $\pm 0.25\text{mm}$
  2. All dimensions are in millimeters

■ **Circuit Diagram:**



■ **Pin Connection:**

PIN NO.	CONNECTION	PIN NO.	CONNECTION
1	Cathode G	6	Cathode D
2	Cathode DP	7	Cathode E
3	Cathode A	8	Cathode C
4	Cathode F	9	Cathode B
5	Common Anode DIG.2	10	Common Anode DIG.1

■ **Features:**

- **High Reliability**
- **Color: Red (AlGaInP/GaAs) Digit**
- **Low Power Requirement**
- **Easy Assembly**

■ **Description:**

- **Dual Digit Display And Common Anode**
- **Digit Height: 10.16mm (0.4" )**
- **Grey Face And Molding With White Epoxy**

■ **Absolute Maximum Rating (Ta=25°C):**

Parameter	Symbol	Condition	Color	Rating	Unit
Power Dissipation Per Segment	P <sub>d</sub>	—	Red	57.5	mW
Forward Current Per Segment	I <sub>F</sub>	—	Red	25	mA
Derating Of If Per Per Segment	△I <sub>F</sub>	Ta ≥ 25°C	Red	0.30	mA/°C
Peak Forward Current Per Segment	IFP	1/10 Duty10KHz	Red	100	mA
Reverse Voltage Per Segment	V <sub>R</sub>	—	Red	5	V
Operating Temperature Range	Topr	—	—	-35~+85	°C
Storage Temperature Range	Tstg	—	—	-35~+85	°C

■ **Electrical/Optical Characteristics Rating(Ta=25°C):**

Item	Symbol	Test condition	Location	Color	Rating			Unit
					Min.	Typ.	Max.	
Forward Voltage	V <sub>F</sub>	I <sub>F</sub> =20mA	Per Segment	Red	—	1.95	2.3	V
Reverse Current	I <sub>R</sub>	V <sub>R</sub> =5V	Per Segment	Red	—	—	100	μA
Luminous Intensity	I <sub>V</sub>	I <sub>V</sub> =10mA	Per Segment	Red	—	6280	—	μcd
Wavelength	λ <sub>P</sub>	I <sub>F</sub> =20mA	Per Segment	Red	—	639	—	nm
	λ <sub>D</sub>				—	631	—	
Spectral Line Half Width	△λ	I <sub>F</sub> =20mA	Per Segment	Red	—	20	—	nm
Luminous Intensity Matching Ratio (Segment to Segment)	I <sub>v-m</sub>	I <sub>F</sub> =10mA			—	—	2:1	

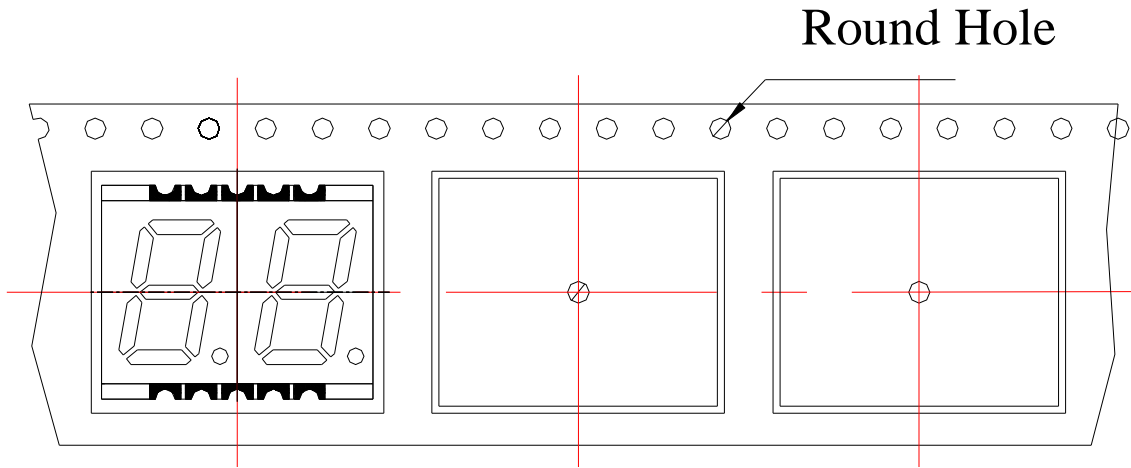
■ **Luminous Intensity Sorting:( Luminous Intensity Tolerance is +/-10%):**

Rank	Symbol	Condition	Min	Max	Unit
J	J	I <sub>F</sub> =10mA	3201	5050	μcd
K	K	I <sub>F</sub> =10mA	5051	8000	μcd
L	L	I <sub>F</sub> =10mA	8001	19990	μcd

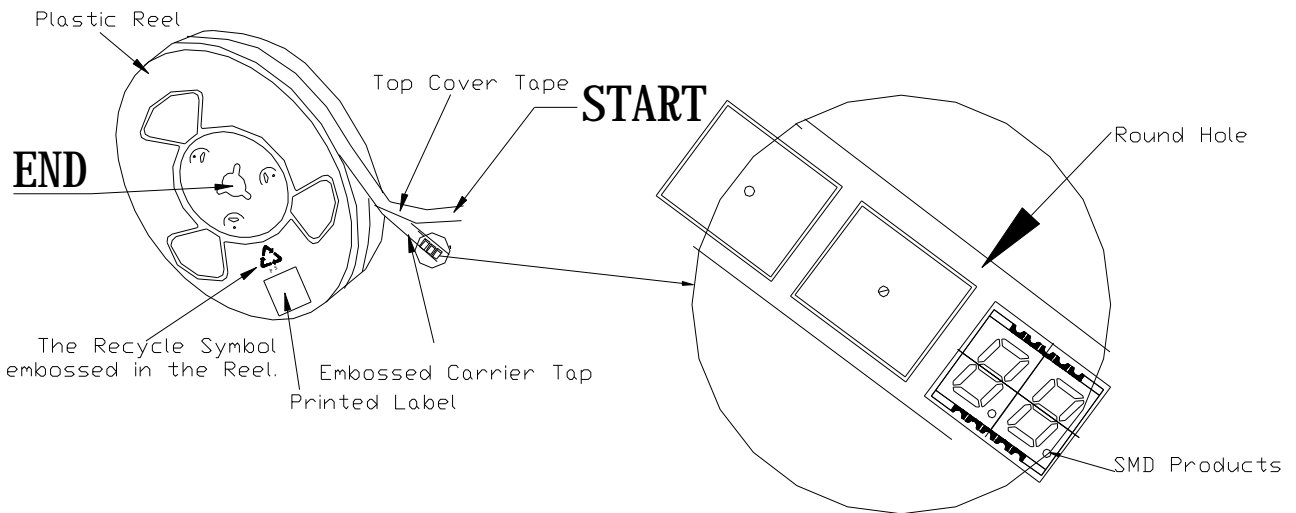
■ **Remark: Use only with no-clean solder. Displays are not to be washed or cleaned, may cause segment failure.**

■ **Pb, Cd, Hg, Cr+6, PBBs, PBDEs 6 Substances Complies To RoHS Standard.**

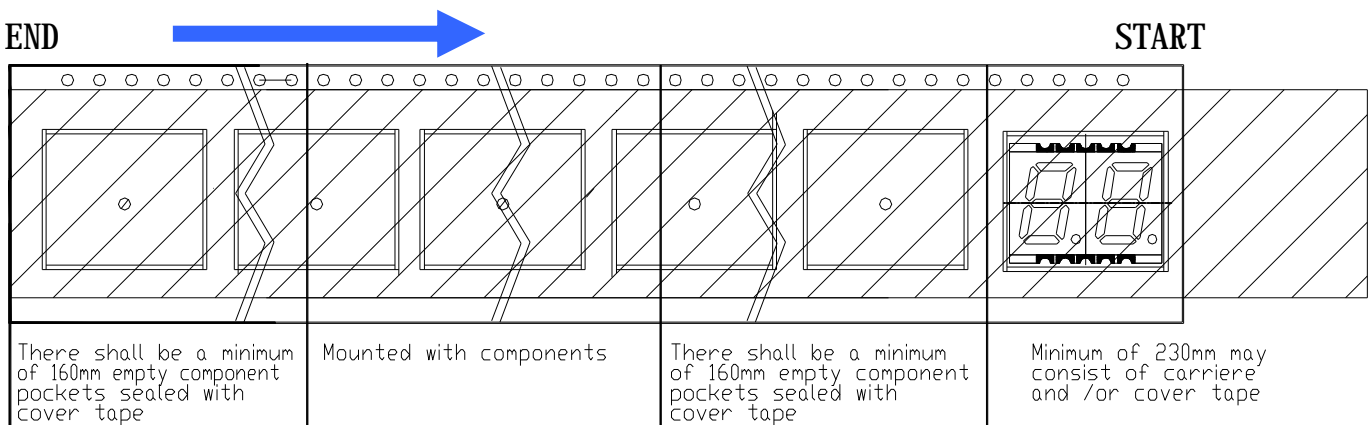
■ **The Products In The Reel Of Direction:**



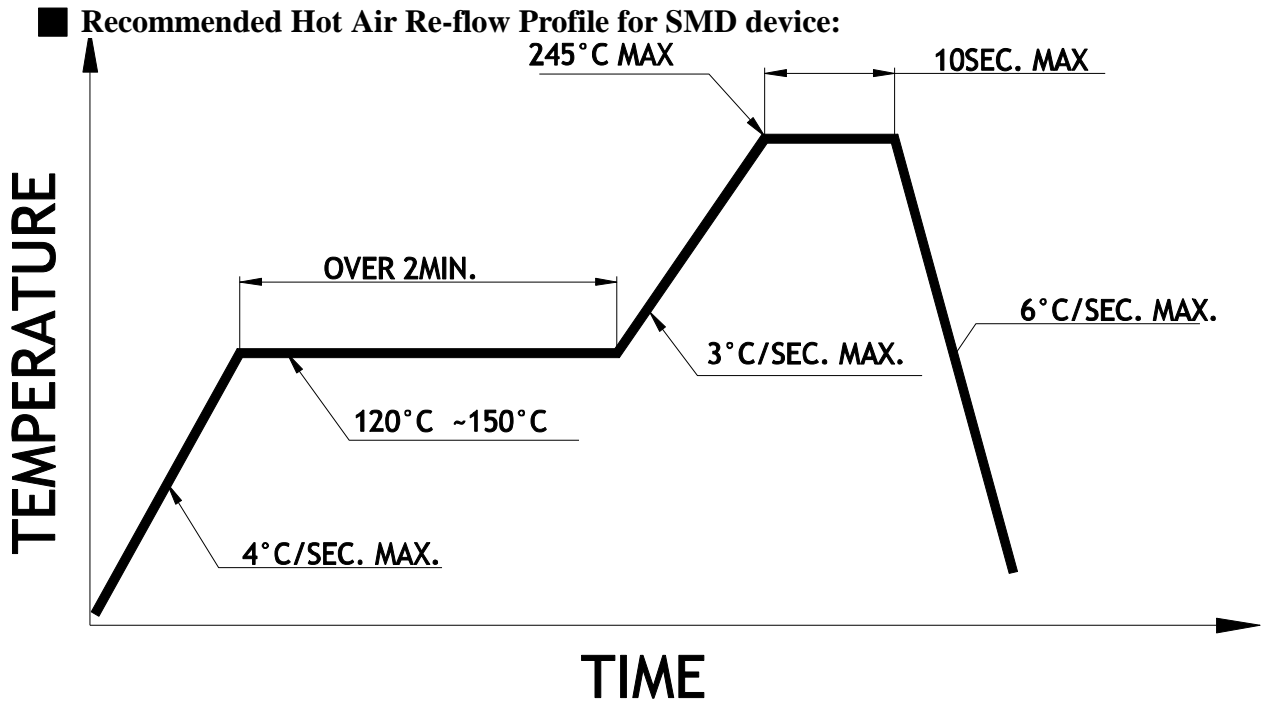
■ **Label Direction & Content In The Roll:**



■ **User Feed Direction:**



■ **Packing Quantity: 500PCS/reel**



■ Modification Record:

Rev.	Description Of Change	Requested	Engineer	Date
01	1 <sup>st</sup> preliminary specification	InterLED	HuangBL	2013-1-30
02	卷轴包装产品数量由 750 改 500pcs	InterLED	Huqinghe	2014-7-3
03	加入炉温曲线	Customer	Huqinghe	2014-8-8