

REV.	ECN NO.	DESCRIPTION	DRAW	APPD.	DATE
A0	---	新版本发行			2017.06.18

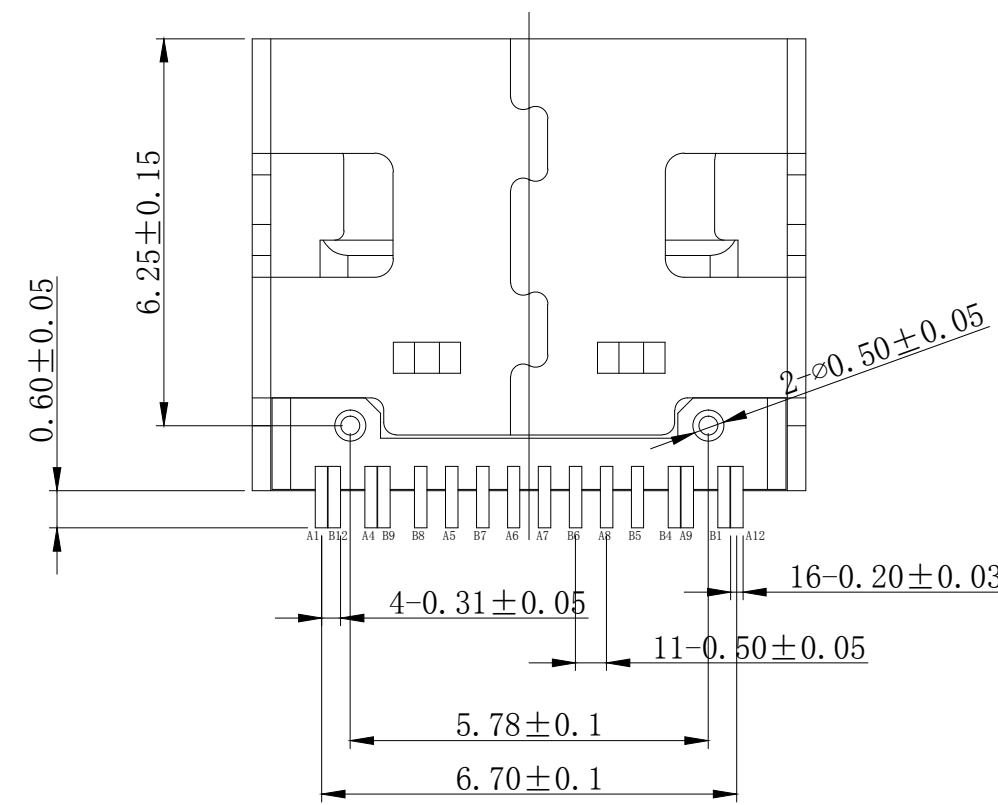
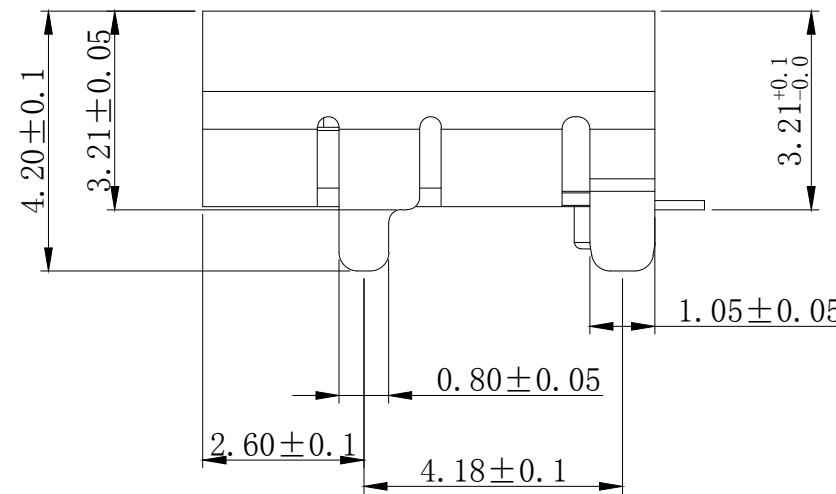
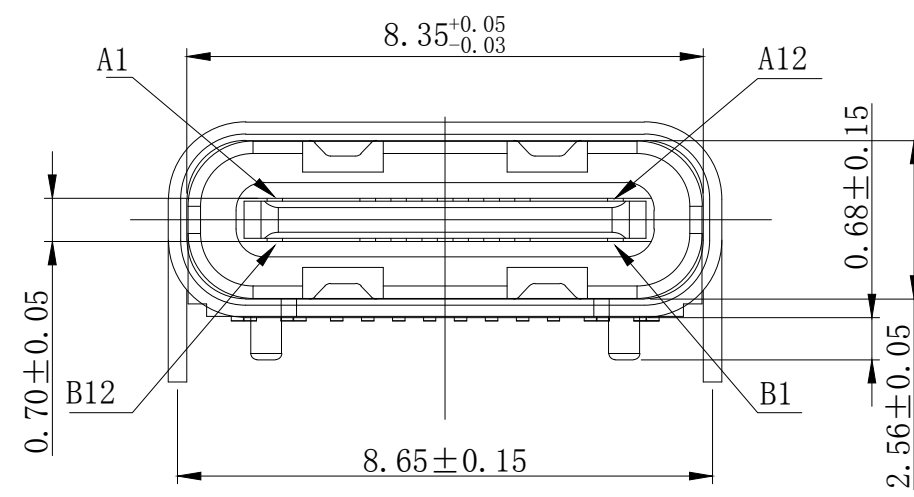
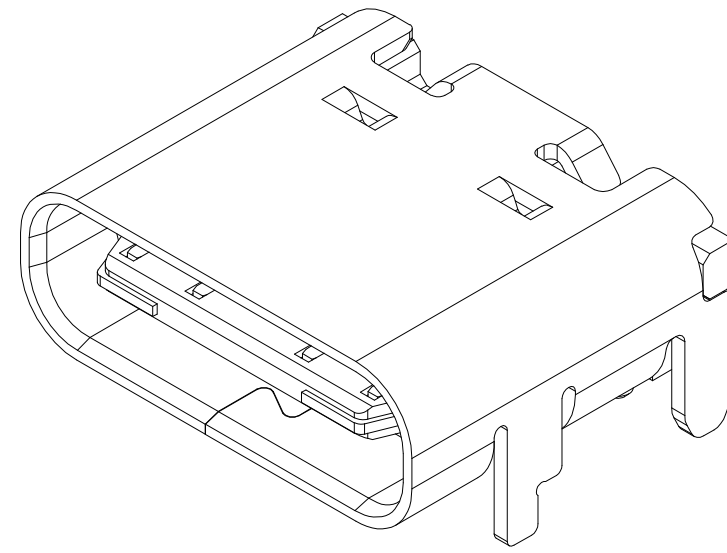
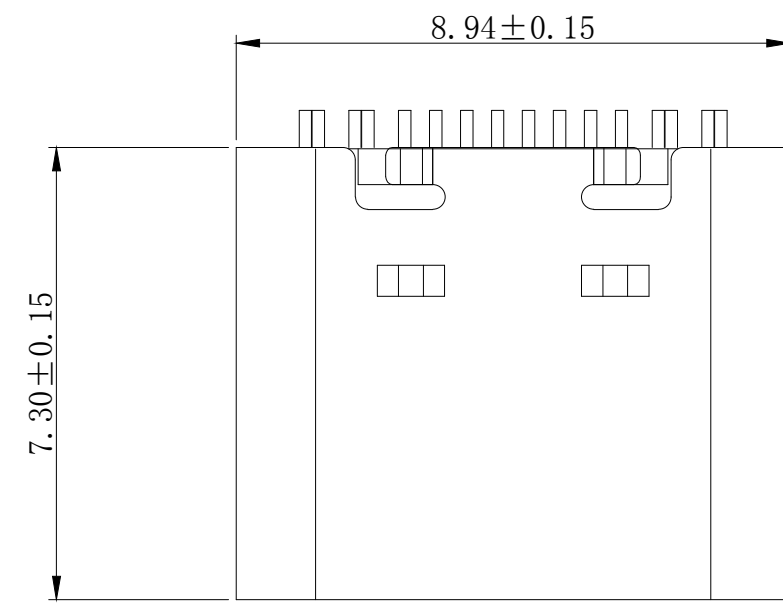
备注:

电气特性:Electrical:

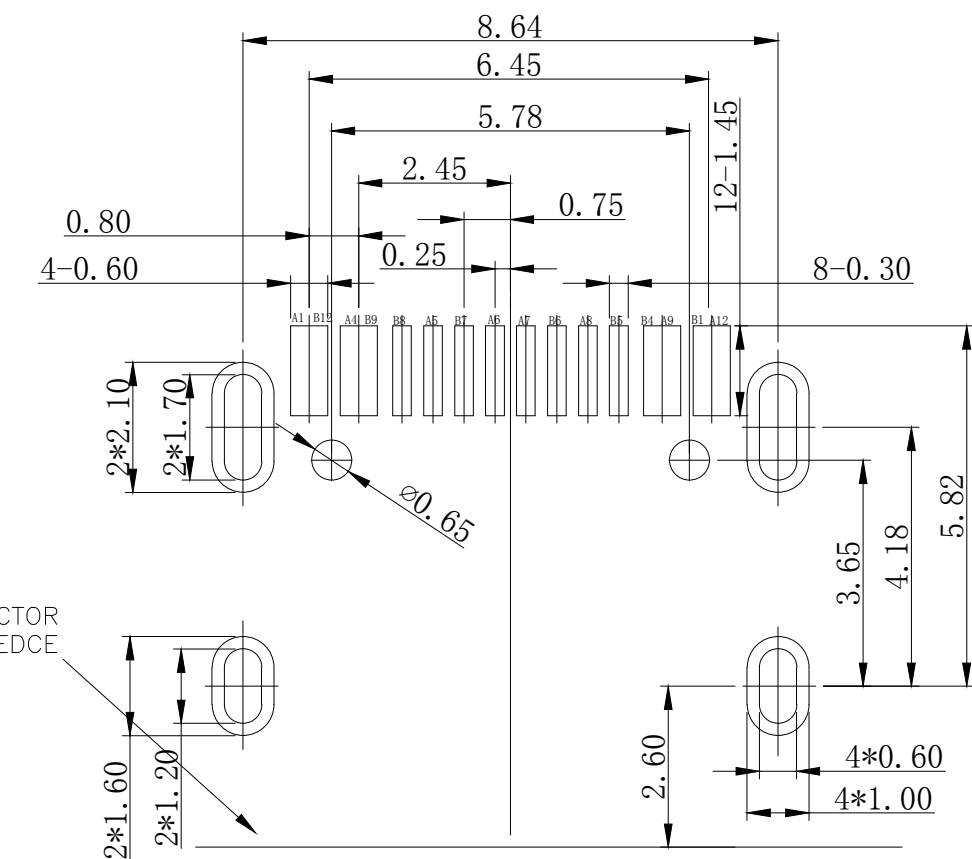
1. 额定电流: 3A MIN ROR VBUS
0.25A MIN FOR OTHER
2. 接触阻抗: 40 milliohms MAX
3. 绝缘阻抗: 100MEGA ohms MIN
4. 耐压测试: 250V AC
5. 插拔力: Mate force: 2.0kgf (MAX)
Unmate force: 0.8kgf (MIN)
6. 使用寿命: 10000次
7. 工作温度: -55 °C ~ 85 °C

原材料:Material:

1. 塑胶: LCP+30%G.F UL94V-0
2. 端子: Copper Alloy C5191
3. 外壳: 不锈钢 T=0.30mm



A1	GND	B12	GND
A4	VBUS	B9	VBUS
A5	CC1	B8	SBU2
A6	DP1	B7	DN2
A7	DN1	B6	DP2
A8	SBU1	B5	CC2
A9	VBUS	B4	VBUS
A12	GND	B1	GND
PIN	SIGNAL NAME	PIN	SIGNAL NAME



RECOMMENDED P.C.B. LAYOUT
TOLERANCE UNSPECIFIED ±0.05mm

TOLERANCE		NAME (INTENDED USE)				
X.X ±0.30	X.° ±2°	PART NO.		TITLE: USB C TYPE 母座单排16P SMT 四脚插板		
.XX ±0.20	.X° ±1°	APPD:		DRAWG NO.		
.XXX ±0.10	.XX° ±0.5°	MATERILA		DRAW NO.		
UNITS		CHED:		SCALE		
mm		DRAW:		1:1		
				SHEET		
				1/1		
				REV.		
				A1		