

A

B

C

D

E

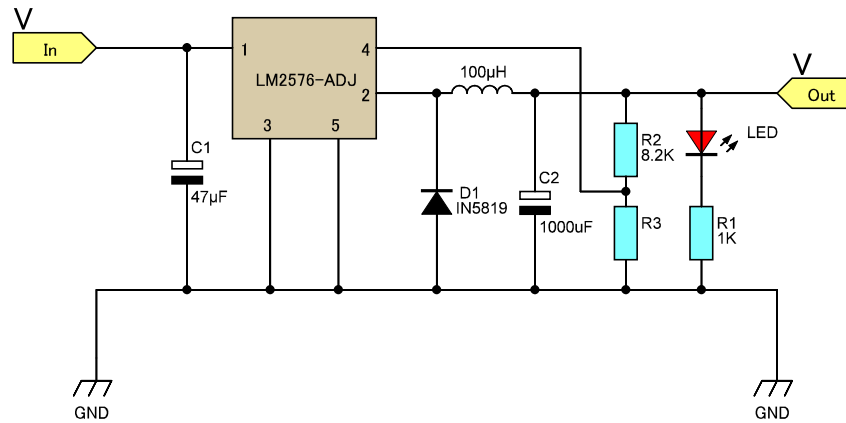
F

1

2

3

4



WHEN R3=2.7K OUTPUT=5V
 WHEN R3=2.K OUTPUT=6V
 WHEN R3=910R OUTPUT=12V

| | | | | | |
|--|--|--|----|--------------------|--|
| | | | | No. | |
| | | | | AKIT-2576V1 | |
| | | | KA | aitendo | |
| | | | | | |