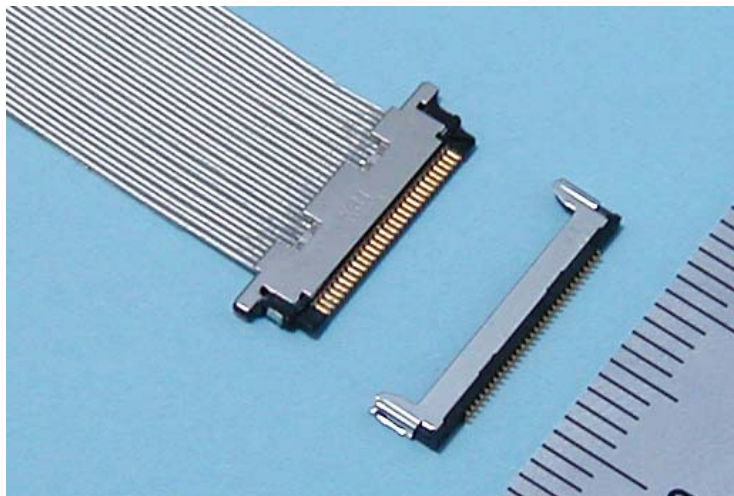


**CABLINE V (Five) Connector**



This connector has 0.4mm pitch has been developed for the internal connection of small size electronics devices such as LCD I/F, NOTE PC, Cell phone, PDA, DSC&DVC.

The world's smallest level connector for small gauge coaxial cable and discrete cable that Ultra low profile: 1.0mm maximum at mating height, Mating depth: 5.65mm, Connector width: 16.8mm that makes small space (30pos).

In comparison with the existing connector for SGC cable (CABLINE II HT1) the projected area by 60%, volume by 80% are reduced.

***[Features]***

- 0.4mm pitch, two pieces connector (board side: SMT type)
- 10p/15p/20p/25p/30p/35p/40p
- Designed to accommodate wide range cable size&type (SGC : #40 ~ #46  
Discrete: #36 TWINCOAX: #40)
- Lead-free design (Also available for Lead-free of cable connection part)
- Well designed for EMI performance by METAL SHELL and impedance matching
- Stable mating by housing lock mechanism
- #40~#46 are connected at one time in same line by Hybrid Termination

***[Specifications]***

- |                          |                      |         |
|--------------------------|----------------------|---------|
| ■ Rated Current/Voltage  | 0.3A AC/DC (AWG#40)  | 100V/AC |
| ■ Applicable Temp. Range | -40°C ~ +85°C        |         |
| ■ Withstand Voltage      | AC250V (rms) / min.  |         |
| ■ Insulation Resistance  | 500M-ohm MIN./DC500V |         |

\*Specifications subject to change without prior notice for the improvements

**I-PEX Co., Ltd.**

Head office : 6-27-19 Haramachida, Machida City  
Tokyo 194-0013 Japan  
TEL:+81-42-729-1670FAX:+81-42-729-1671

### <PLUG>

◆: UNDER DEVELOPING

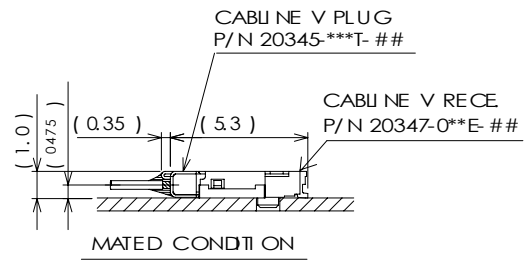
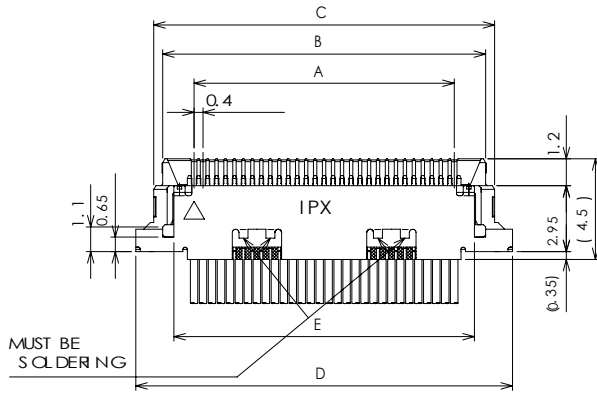
\* : TYPE (SHELL A) 0- With FORMING

1- Without FORMING

##: 01- HSG ASSY With GND.

02- HSG ASSY Without GND.

PART NO.	POS.	A	B	C	D	E
20345*10T-##	10	3.6	6.4	7.2	8.8	5.4
20345*15T-##	15	5.6	8.4	9.2	10.8	7.4
◆20345*20T-##	20	7.6	10.4	11.2	12.8	9.4
20345*25T-##	25	9.6	12.4	13.2	14.8	11.4
20345*30T-##	30	11.6	14.4	15.2	16.8	13.4
20345*35T-##	35	13.6	16.4	17.2	18.8	15.4
20345*40T-##	40	15.6	18.4	19.2	20.8	17.4



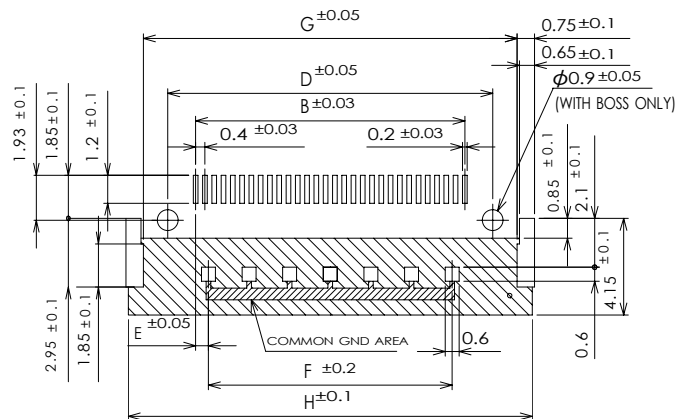
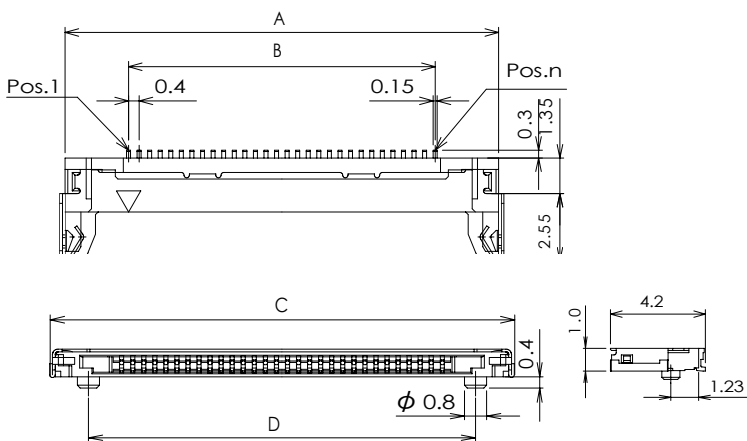
### <RECEPTACLE>

PART NO.	POS.	A	B	C	D	E	F	G	H
20347-010E-##	10	8.4	3.6	8.8	6.0	0.925	1.75	8.1	9.4
20347-015E-##	15	10.4	5.6	10.8	8.0	1.05	3.5	10.1	11.4
◆20347-020E-##	20	12.4	7.6	12.8	10.0	1.175	5.25	12.1	13.4
20347-025E-##	25	14.4	9.6	14.8	12.0	1.3	7.0	14.1	15.4
20347-030E-##	30	16.4	11.6	16.8	14.0	0.55	10.5	16.1	17.4
20347-035E-##	35	18.4	13.6	18.8	16.0	0.675	12.25	18.1	19.4
20347-040E-##	40	20.4	15.6	20.8	18.0	0.8	14.0	20.1	21.4

◆: UNDER DEVELOPING

##: 01- With Boss

02- Without Boss



When P/N: 20345-\*\*\*T-01 is used

RECOMMENDED FOOTPRINT PATTERN (MOUNT SIDE)

### MATERIAL&FINISH

Product	Parts	Material	Finish	UL
PLUG 20345-***T-##	HOUSING	LCP (GF REINFORCED)	BLACK	UL94V-0
	CONTACT	BRASS	Au OVER Ni	-
	SHELL A	STENLESS STEEL	Sn-Cu OVER Ni	-
	SHELL B	PHOSPHER BRONZE	Sn-Cu OVER Ni	-
RECEPTACLE 20347-0**E-##	HOUSING	LCP (GF REINFORCED)	BLACK	UL94V-0
	CONTACT	PHOSPHER BRONZE	Au OVER Ni	-
	SHELL	PHOSPHER BRONZE	Sn-Cu OVER Ni	-