

5

10

15

20

25

PRODUCT NAME : ST_6009_A8

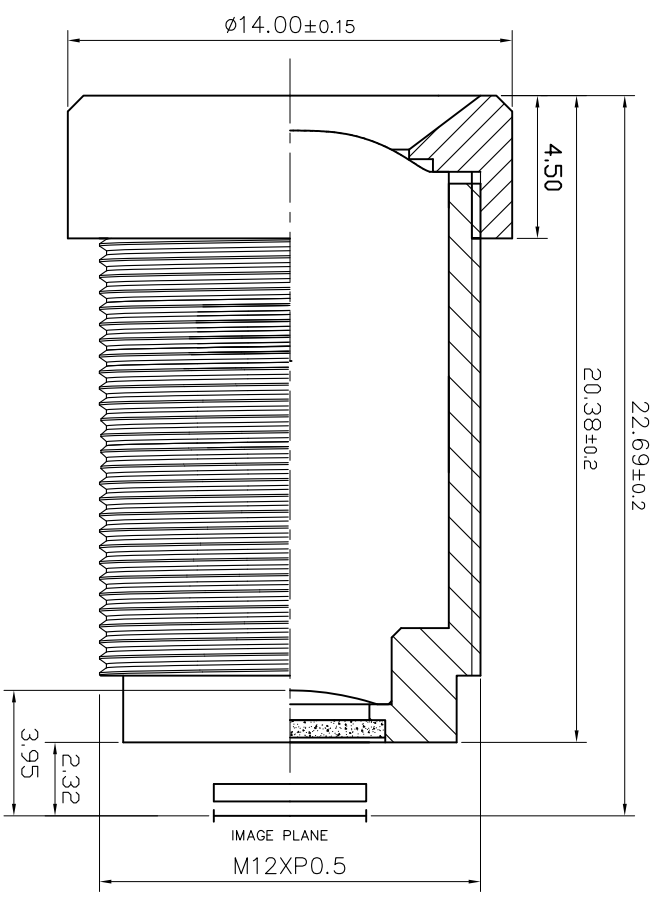
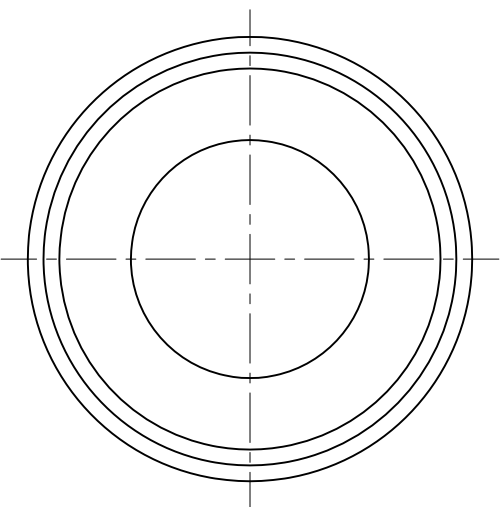
1. SPECIFICATION :

- 1.SENSOR SIZE
- 2.WAVELENGTH
- 3.FOCAL LENGTH (EFL)
- 4.F/NO (INFINITE)
- 5.BACK FOCAL LENGTH
- 6.FLANGE BACK LENGTH
- 7.FIELD OF VIEW (DIAGONAL)
- 8.OPTICAL DISTORTION (DIAGONAL)
- 9.Thread Size
- 10.Element
- 11.IR FILTER SPEC.(Built-in,Others available)

1/4"1/3" 1.3M
 $\lambda = 400-700\text{nm}(\text{COLOR})$
 $f = 4.3 \text{ mm}$
 $F/\text{NO} = 1.8$
 $\text{BFL} = 3.95 \text{ mm}$
 $\text{FB} = 2.3 \text{ mm}$
 $= 52^\circ \sim 75^\circ$
 $< -4\%$
 M12XP0.5
 4ELEMENT+IR

2. OPTICAL LAYOUT :

scale 4 : 1



REV	DESCRIPTION	DATE	NAME
①			
②			
③			
④			

NAME	ST_6009_A8
VIEW	
REV	00
世大光電(深圳)有限公司 STAR OPTICAL CO.,LTD	

SCALE	4:1	DRAWN	
DATE	2005.10.21	CHECKED	
BORDER	A4	APPROVED	

5

10

15

20

25