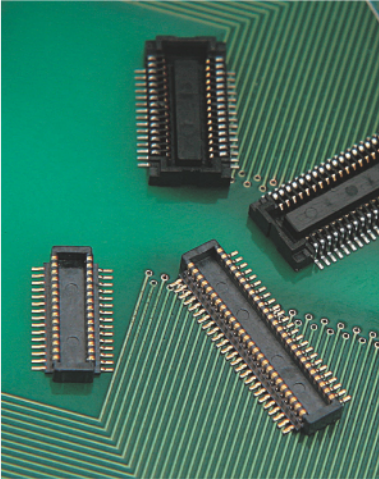


# GB040 series

## 0.4mm pitch PCB to PCB Connector



### Features

- GB040 series Connector is 0.4 mm pitch, low profile PCB to PCB SMT type connector.
- Bellows contact structure with high contact reliability.
- Solder wicking prevention structure with insert molding technology and nickel barrier.

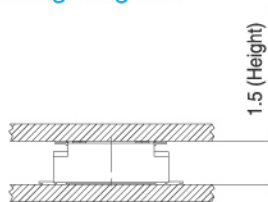
### Applications

- Mobile phone
- Compact portable devices, etc

### Materials & Finishes

Parts		Materials / Finishes	
Insulator		Heat Resistant Plastic	UL94V-0
Contact	Plug	Copper Alloy	Au Plating
	Recep.	Copper Alloy	Au Plating

### Mating Diagram



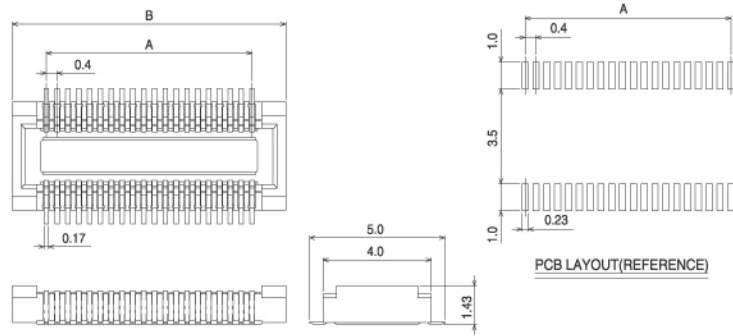
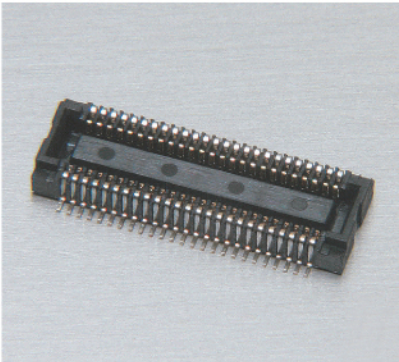
### Specifications

No. of Contacts	20~80
Stacking Height	1.5mm
Contact Spacing	0.4mm
Current Rating	0.5Amps/Pin
Voltage Rating	AC, DC 50V
Dielectric Withstanding Voltage	AC 250V r.m.s.(for one minute)
Insulation Resistance	1000MΩ
Contact Resistance	70mΩ
Operating Temp.	-25°C ~ +85°C

### Ordering Information

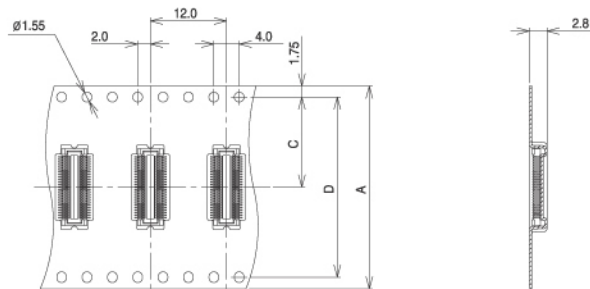
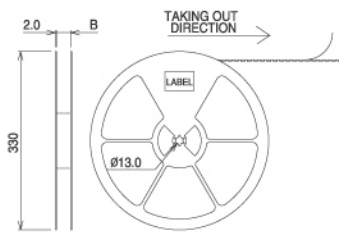
GB040	—	40	P	—	*	—	H15
Series		No. of Contacts	Contact Type P: Plug S: Receptacle		NA: Without Boss B: With Boss		Mating Height

Receptacle



Embossed Tape Assembly

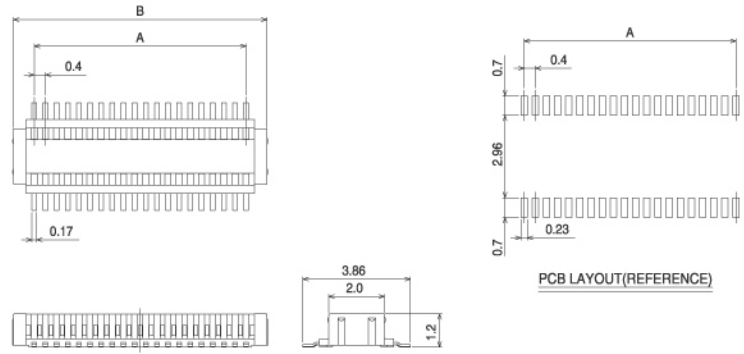
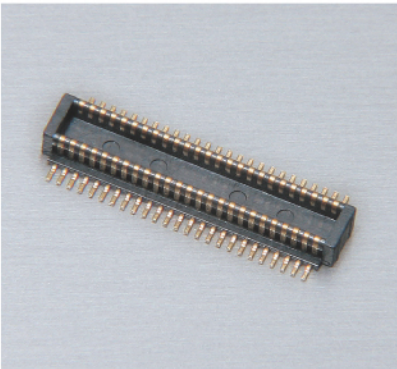
Bobbin



No. of Pin	Part Number	Receptacle		Embossed Tape Assembly			
		A	B	A	B	C	D
20	GB040 - 20S - * - H15 - #2000	3.6	6.1	24.0	26.0	11.5	-
24	GB040 - 24S - * - H15 - #2000	4.4	6.9				
28	GB040 - 28S - * - H15 - #2000	5.2	7.7				
30	GB040 - 30S - * - H15 - #2000	5.6	8.1				
34	GB040 - 34S - * - H15 - #2000	6.4	8.9				
40	GB040 - 40S - * - H15 - #2000	7.6	10.1				
44	GB040 - 44S - * - H15 - #2000	8.4	10.9	32.0	34.0	14.2	28.4
50	GB040 - 50S - * - H15 - #2000	9.6	12.1				
54	GB040 - 54S - * - H15 - #2000	10.4	12.9				
60	GB040 - 60S - * - H15 - #2000	11.6	14.1				
70	GB040 - 70S - * - H15 - #2000	13.6	16.1				
80	GB040 - 80S - * - H15 - #2000	15.6	18.1				

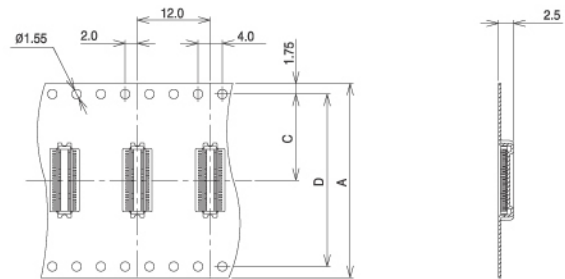
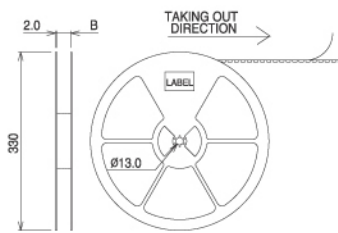
## GB040 series | Plug & Embossed Tape Assembly

### Plug



### Embossed Tape Assembly

#### Bobbin



No. of Pin	Part Number	Plug		Embossed Tape Assembly			
		A	B	A	B	C	D
20	GB040 - 20P - * - H15 - #2000	3.6	5.1	24.0	26.0	11.5	-
24	GB040 - 24P - * - H15 - #2000	4.4	5.9				
28	GB040 - 28P - * - H15 - #2000	5.2	6.7				
30	GB040 - 30P - * - H15 - #2000	5.6	7.1				
34	GB040 - 34P - * - H15 - #2000	6.4	7.9				
40	GB040 - 40P - * - H15 - #2000	7.6	9.1				
44	GB040 - 44P - * - H15 - #2000	8.4	9.9	32.0	34.0	14.2	28.4
50	GB040 - 50P - * - H15 - #2000	9.6	11.1				
54	GB040 - 54P - * - H15 - #2000	10.4	11.9				
60	GB040 - 60P - * - H15 - #2000	11.6	13.1				
70	GB040 - 70P - * - H15 - #2000	13.6	15.1				
80	GB040 - 80P - * - H15 - #2000	15.6	17.1				

# GB042 series

## 0.4mm pitch PCB to PCB Connector



### Features

- GB042 series Connector is 0.4 mm pitch, low profile PCB to PCB SMT type connector.
- Improved contact reliability with plug and receptacle contacting at 2 point simultaneously.
- Stable unmating mechanism preventing receptacle contact from being deformed.

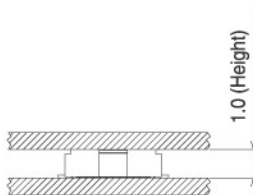
### Applications

- Mobile phone
- Compact portable devices, etc

### Materials & Finishes

Parts		Materials / Finishes	
Insulator		Heat Resistant Plastic	UL94V-0
Contact	Plug	Copper Alloy	Au Plating
	Recep.	Copper Alloy	Au Plating

### Mating Diagram



### Specifications

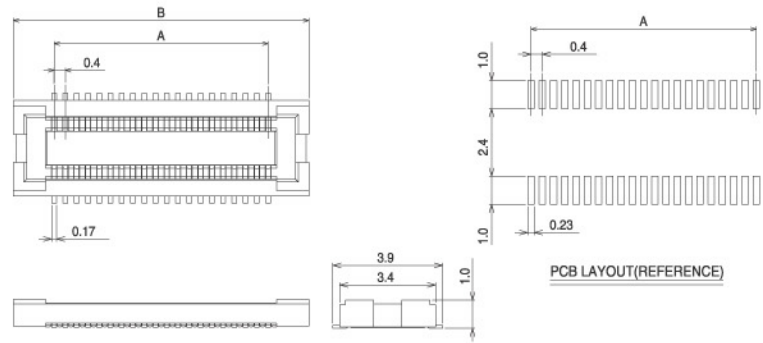
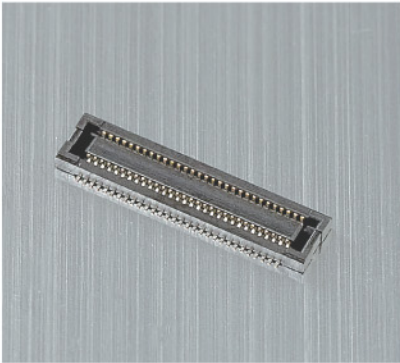
No. of Contacts	20~80
Stacking Height	1.0mm
Contact Spacing	0.4mm
Current Rating	0.5Amps/Pin
Voltage Rating	AC, DC 50V
Dielectric Withstanding Voltage	AC 250V r.m.s(for one minute)
Insulation Resistance	1000MΩ
Contact Resistance	70mΩ
Operating Temp.	-25°C ~ +85°C

### Ordering Information

GB042	—	40	P	—	H10
Series		No. of Contacts	Contact Type P: Plug S: Receptacle		Mating Height

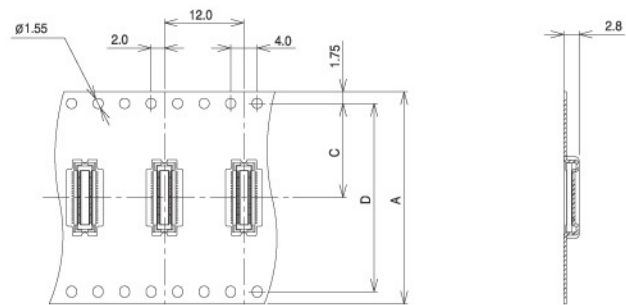
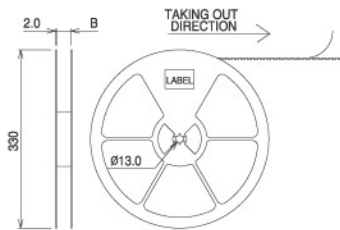
GB042 series | Receptacle & Embossed Tape Assembly

Receptacle

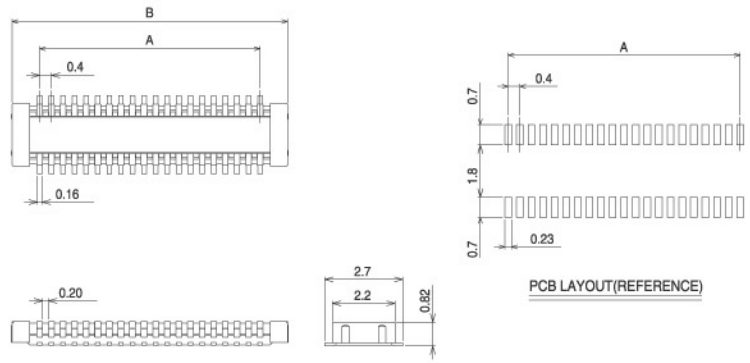
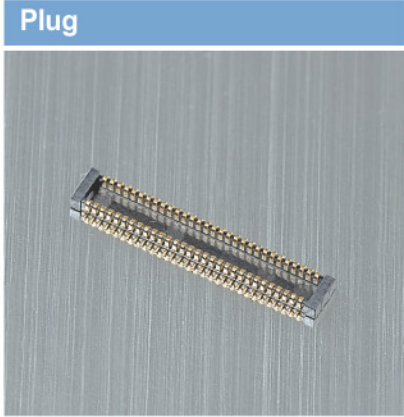


Embossed Tape Assembly

Bobbin

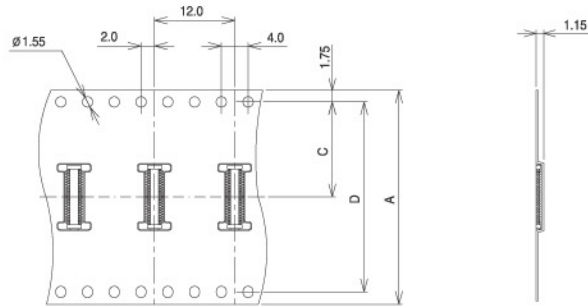
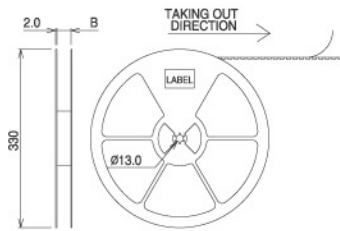


No. of Pin	Part Number	Receptable		Embossed Tape Assembly			
		A	B	A	B	C	D
20	GB042 - 20P - * - H10 - #3000	3.6	6.5	16.0	18.0	7.5	-
24	GB042 - 24P - * - H10 - #3000	4.4	7.3				
28	GB042 - 28P - * - H10 - #3000	5.2	8.1				
30	GB042 - 30P - * - H10 - #3000	5.6	8.5				
34	GB042 - 34P - * - H10 - #3000	6.4	9.3	24.0	26.0	11.5	-
40	GB042 - 40P - * - H10 - #3000	7.6	10.5				
44	GB042 - 44P - * - H10 - #3000	8.4	11.3				
50	GB042 - 50P - * - H10 - #3000	9.6	12.5				
54	GB042 - 54P - * - H10 - #3000	10.4	13.3				
60	GB042 - 60P - * - H10 - #3000	11.6	14.5				
64	GB042 - 64P - * - H10 - #3000	12.4	15.3	32.0	34.0	14.2	28.4
70	GB042 - 70P - * - H10 - #3000	13.6	16.5				
80	GB042 - 80P - * - H10 - #3000	15.6	18.5				



Embossed Tape Assembly

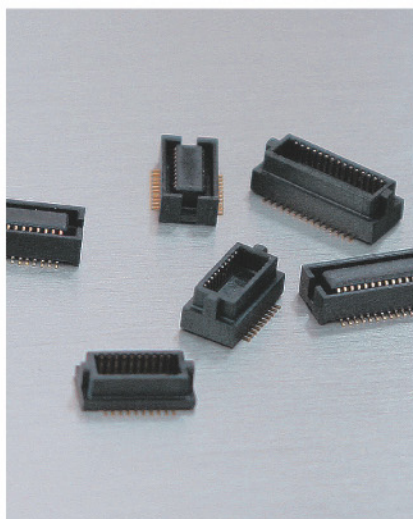
Bobbin



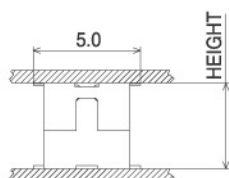
No. of Pin	Part Number	Plug		Embossed Tape Assembly			
		A	B	A	B	C	D
20	GB042 - 20P - * - H10 - #3000	3.6	5.5	16.0	18.0	7.5	-
24	GB042 - 24P - * - H10 - #3000	4.4	6.3				
28	GB042 - 28P - * - H10 - #3000	5.2	7.1				
30	GB042 - 30P - * - H10 - #3000	5.6	7.5				
34	GB042 - 34P - * - H10 - #3000	6.4	8.3				
40	GB042 - 40P - * - H10 - #3000	7.6	9.5				
44	GB042 - 44P - * - H10 - #3000	8.4	10.3	24.0	26.0	11.5	-
50	GB042 - 50P - * - H10 - #3000	9.6	11.5				
54	GB042 - 54P - * - H10 - #3000	10.4	12.3				
60	GB042 - 60P - * - H10 - #3000	11.6	13.5				
64	GB042 - 64P - * - H10 - #3000	12.4	14.3				
70	GB042 - 70P - * - H10 - #3000	13.6	15.5				
80	GB042 - 80P - * - H10 - #3000	15.6	17.5	32.0	34.0	14.2	28.4

# GB052A series

## 0.5mm pitch PCB to PCB Connector



### Mating Diagram



### Features

- GB052A series Connector is 0.5mm pitch, SMT type connector used to connect PCB to PCB and has excellent electrical reliance.
- GB052A series Connector is 3.0mm~5.5mm Stacking Height and 5.0mm width capable of high density installation for small sets.

### Applications

- Mobile phone
- Compact portable devices, etc

### Materials & Finishes

Parts		Materials / Finishes	
Insulator		Heat Resistant Plastic	UL94V-0
Contact	Plug	Copper Alloy	Au Plating
	Recep.	Copper Alloy	Au Plating

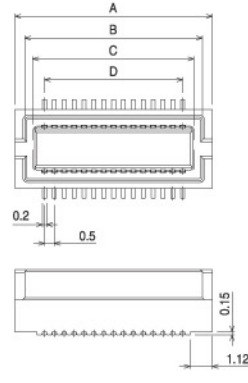
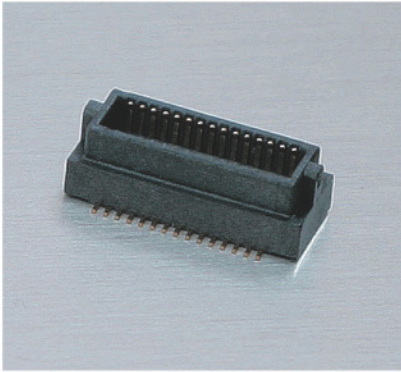
### Specifications

No. of Contacts	20~50
Stacking Height	3.0~5.5mm
Contact Spacing	0.5mm
Current Rating	0.2Amps/Pin
Voltage Rating	AC, DC 60V
Dielectric Withstanding Voltage	AC 150V r.m.s(for one minute)
Insulation Resistance	100MΩ
Contact Resistance	80mΩ
Operating Temp.	-40°C ~ +85°C

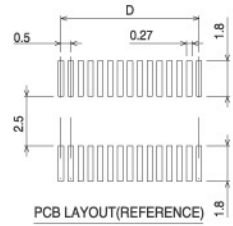
### Ordering Information

GB052A	—	20	P	—	H33	—	TSD	—	*
Series		No. of Contacts	Contact Type P:Receptacle S:Plug		Height				Modification Code

Receptacle

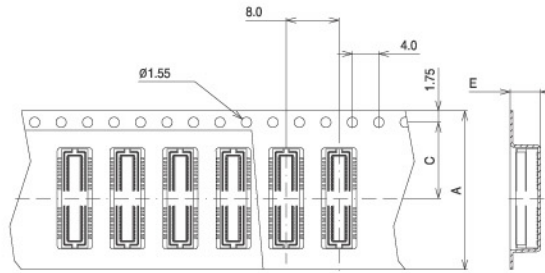
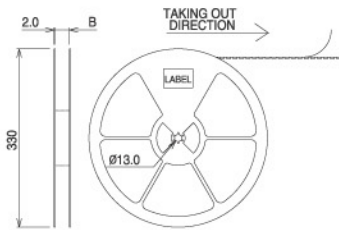


PART NUMBER	H	I
GB052A-**-P-H08-TSD-M	0.8	2.3
GB052A-**-P-H11-TSD-M	1.1	2.6
GB052A-**-P-H13-TSD-M	1.3	2.8
GB052A-**-P-H18-TSD-M	1.8	3.3
GB052A-**-P-H23-TSD-M	2.3	3.8
GB052A-**-P-H28-TSD-M	2.8	4.3
GB052A-**-P-H33-TSD-M	3.3	4.8



Embossed Tape Assembly

Bobbin

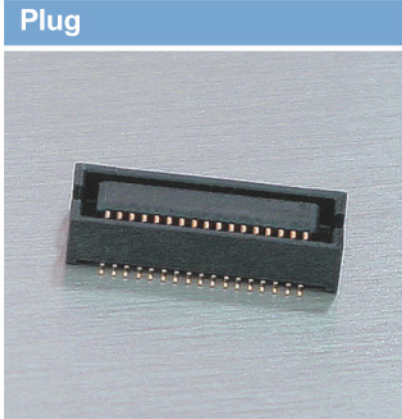


Height	E	Packing Quantity
H 08	3.6	2,000
H 11		
H 13		
H 18	4.6	1,500
H 23		
H 28	5.6	1,000
H 33		

No. of Pin	Part Number	Receptacle		Embossed Tape Assembly				
		A	B	C	D	A	B	C
20	GB052A - 20P - H** - TSD - #****	7.5	6.5	5.5	4.5	24.0	26.0	11.5
30	GB052A - 30P - H** - TSD - #****	10.0	9.0	8.0	7.0			
34	GB052A - 34P - H** - TSD - #****	11.0	10.0	9.0	8.0			
40	GB052A - 40P - H** - TSD - #****	12.5	11.5	10.5	9.5			
50	GB052A - 50P - H** - TSD - #****	15.0	14.0	13.0	12.0			

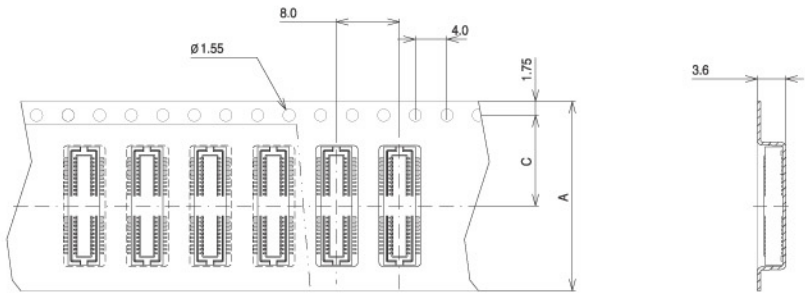
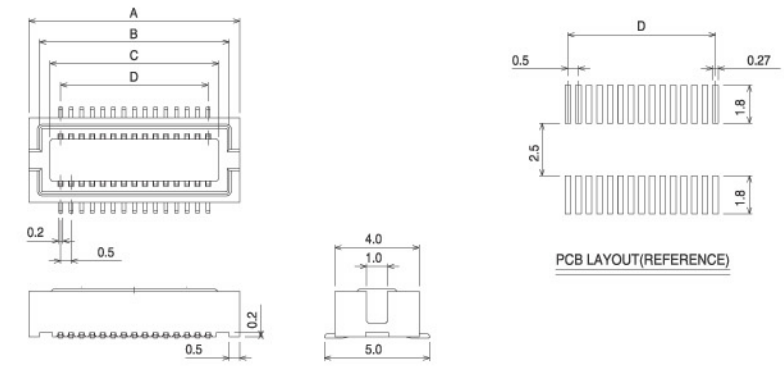
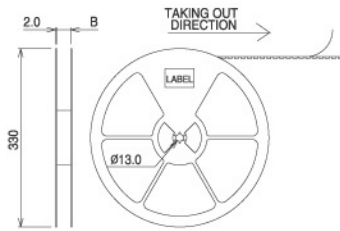


# GB052A series | Plug & Embossed Tape Assembly



## Embossed Tape Assembly

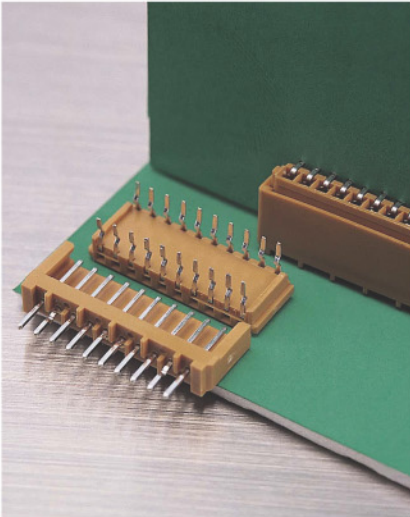
### Bobbin



No. of Pin	Part Number	Plug			Embossed Tape Assembly			
		A	B	C	D	A	B	C
20	GB052A - 20S - H22 - TSD - #2000	7.5	6.5	5.5	4.5	24.0	26.0	11.5
30	GB052A - 30S - H22 - TSD - #2000	10.0	9.0	8.0	7.0			
34	GB052A - 34S - H22 - TSD - #2000	11.0	10.0	9.0	8.0			
40	GB052A - 40S - H22 - TSD - #2000	12.5	11.5	10.5	9.5			
50	GB052A - 50S - H22 - TSD - #2000	15.0	14.0	13.0	12.0			

# GB200 series

## 2.0mm pitch PCB to PCB Connector



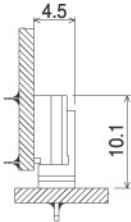
### Features

- GB200 series Connector is 2-piece type connectors used to connect PCB to PCB.
- GB200 series Connector is result of drastic minimalization, with height 10.1mm and width 4.5mm.

### Applications

- VCR, TV monitor
- PC and OA equipment, etc

### Mating Diagram



### Materials & Finishes

Parts		Materials / Finishes	
Insulator		Engineering Plastic	UL94V-0
Contact	Pin	Copper Alloy	Tin Plating
	Socket	Copper Alloy	Tin Plating

### Specifications

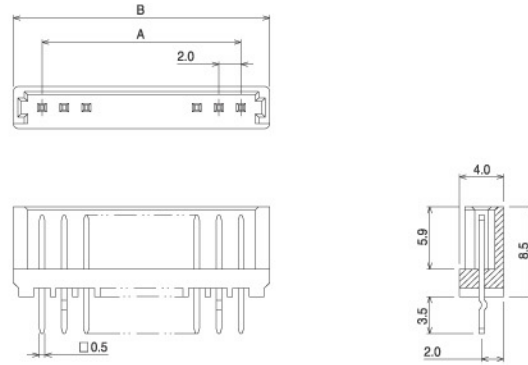
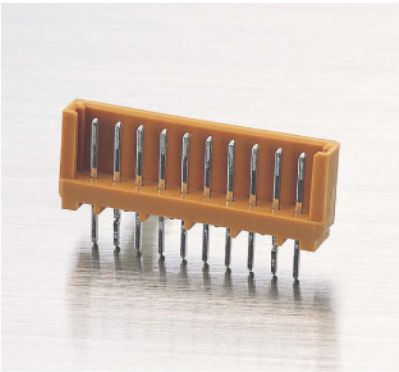
No. of Contacts	3~20
Contact Spacing	2.0mm
Current Rating	3Amps/Pin
Voltage Rating	AC 300V, DC 400V
Dielectric Withstanding Voltage	AC 1000V r.m.s(for one minute)
Insulation Resistance	100M $\Omega$
Contact Resistance	20m $\Omega$
Operating Temp.	-40 $^{\circ}$ C ~ +85 $^{\circ}$ C

### Ordering Information

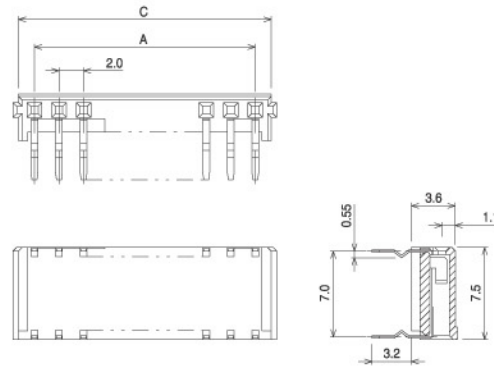
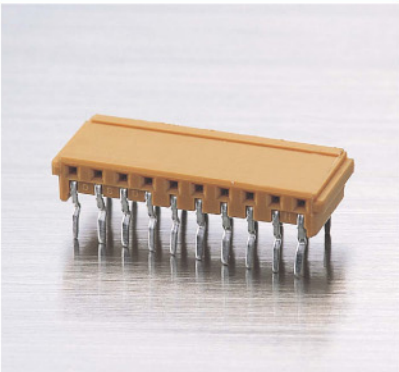
GB200	-	10	-	P	-	T	S	-	*
Series		No. of Contacts		Contact Type P: Plug S: Receptacle		Termination style T: Straight L: Right Angle			Modification Code

 GB200 series | Pin Header & Socket Housing

Pin Header



Socket Housing



No. of Pin	Part Number		A	B	C	No. of Forming Contact (Pin Header)
	Pin Header	Socket Housing				
3	GB200 - 3P - TS	GB200 - 3P - LS	4.0	9.2	6.6	1, 3
4	GB200 - 4P - TS	GB200 - 4P - LS	6.0	11.2	8.6	1, 4
5	GB200 - 5P - TS	GB200 - 5P - LS	8.0	13.2	10.6	1, 5
6	GB200 - 6P - TS	GB200 - 6P - LS	10.0	15.2	12.6	2, 5
7	GB200 - 7P - TS	GB200 - 7P - LS	12.0	17.2	14.6	2, 6
8	GB200 - 8P - TS	GB200 - 8P - LS	14.0	19.2	16.6	2, 7
9	GB200 - 9P - TS	GB200 - 9P - LS	16.0	21.2	18.6	2, 8
10	GB200 - 10P - TS	GB200 - 10P - LS	18.0	23.2	20.6	2, 9
11	GB200 - 11P - TS	GB200 - 11P - LS	20.0	25.2	22.6	2, 10
12	GB200 - 12P - TS	GB200 - 12P - LS	22.0	27.2	24.6	2, 11
13	GB200 - 13P - TS	GB200 - 13P - LS	24.0	29.2	26.6	2, 12
14	GB200 - 14P - TS	GB200 - 14P - LS	26.0	31.2	28.6	2, 13
15	GB200 - 15P - TS	GB200 - 15P - LS	28.0	33.2	30.6	2, 14
16	GB200 - 16P - TS - 1	GB200 - 16P - LS - 1	30.0	35.2	32.6	2, 15
17	GB200 - 17P - TS - 1	GB200 - 17P - LS - 1	32.0	37.2	34.6	2, 16
18	GB200 - 18P - TS - 1	GB200 - 18P - LS - 1	34.0	39.2	36.6	2, 17
19	GB200 - 19P - TS - 1	GB200 - 19P - LS - 1	36.0	41.2	38.6	2, 18
20	GB200 - 20P - TS - 1	GB200 - 20P - LS - 1	38.0	43.2	40.6	2, 19