

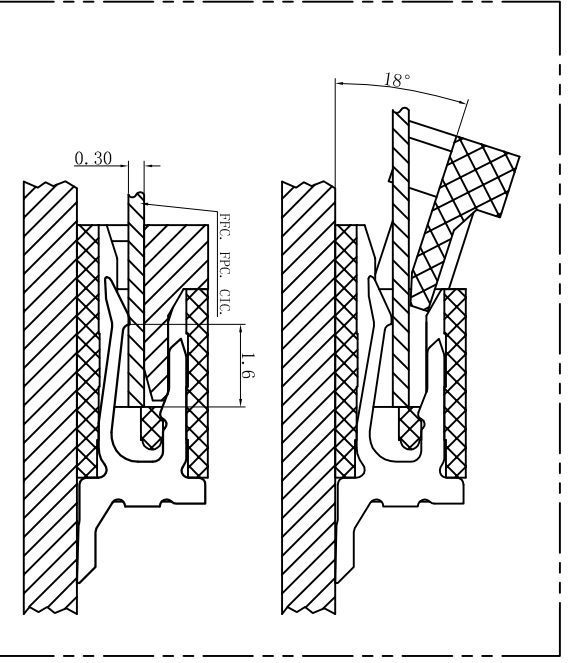
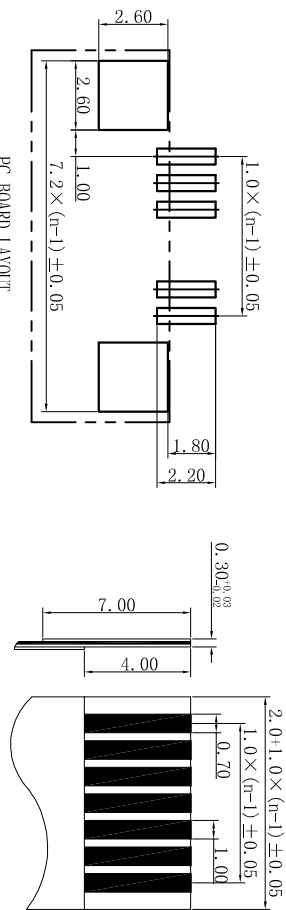
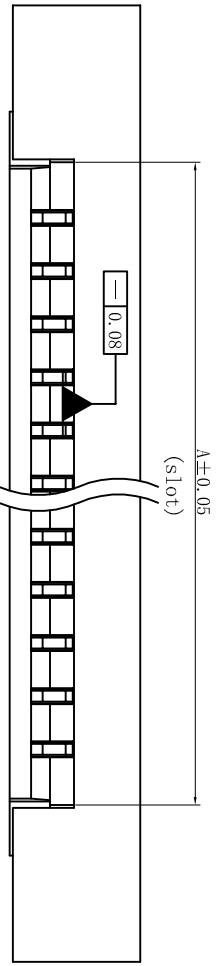
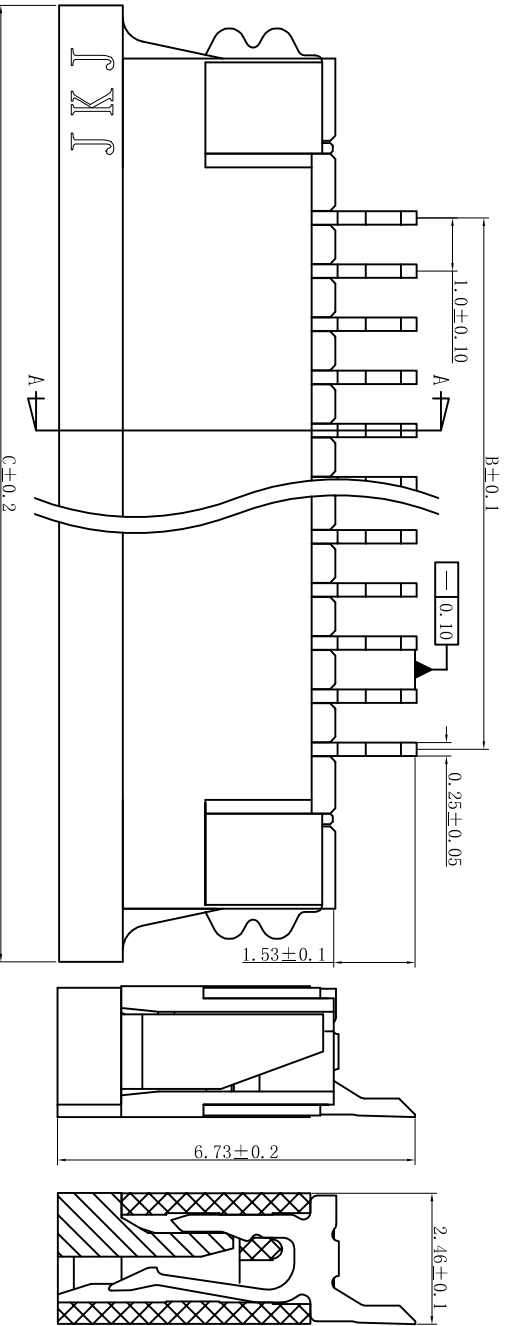
NO	胶体	锁扣	胶体	锁扣	柱子
1	LCP	LCP	本色	黑色	
2	PA9T	LCP	本色	黑色	

88360-XXX X X-X  
 PIN数  
 电镀: 1镀金 2镀雾锡 3镀亮锡

包材: A管装 B袋装 C盒装

No. of Contacts (n)	Dimensions		
	A	B	C
4	5.1	3.0	11.0
5	6.1	4.0	12.0
6	7.1	5.0	13.0
7	8.1	6.0	14.0
8	9.1	7.0	15.0
9	10.1	8.0	16.0
10	11.1	9.0	17.0
11	12.1	10.0	18.0
12	13.1	11.0	19.0
13	14.1	12.0	20.0
14	15.1	13.0	21.0
15	16.1	14.0	22.0
16	17.1	15.0	23.0
17	18.1	16.0	24.0
18	19.1	17.0	25.0
19	20.1	18.0	26.0
20	21.1	19.0	27.0
21	22.1	20.0	28.0
22	23.1	21.0	29.0
23	24.1	22.0	30.0
24	25.1	23.0	31.0
25	26.1	24.0	32.0
26	27.1	25.0	33.0
27	28.1	26.0	34.0
28	29.1	27.0	35.0
29	30.1	28.0	36.0
30	31.1	29.0	37.0
31	32.1	30.0	38.0
32	33.1	31.0	39.0

Electrical  
 Voltage: 50 V AC(rms)/DC  
 Current: 0.5 A AC(rms)/DC  
 Contact Resistance: 20 m $\Omega$ /DC  
 Dielectric Withstanding Voltage: 250 V AC/rms  
 Insulation Resistance: 50 M $\Omega$  min  
 Operating Temp: -20 $^{\circ}$ C ~ +85 $^{\circ}$ C



SER	AREA	REVISIONS	CHK	DATE

**JKT** 金科基电子有限公司

APPROVED	DATE	NAME
CHECKED	DATE	
DRAWN	DATE	DRAWING NO
周建峰	2006/07/17	88360-XXXX-X

PPCL: 0#拉板式半包下接

SCALE	SIZE	REV
5:1	A4	A