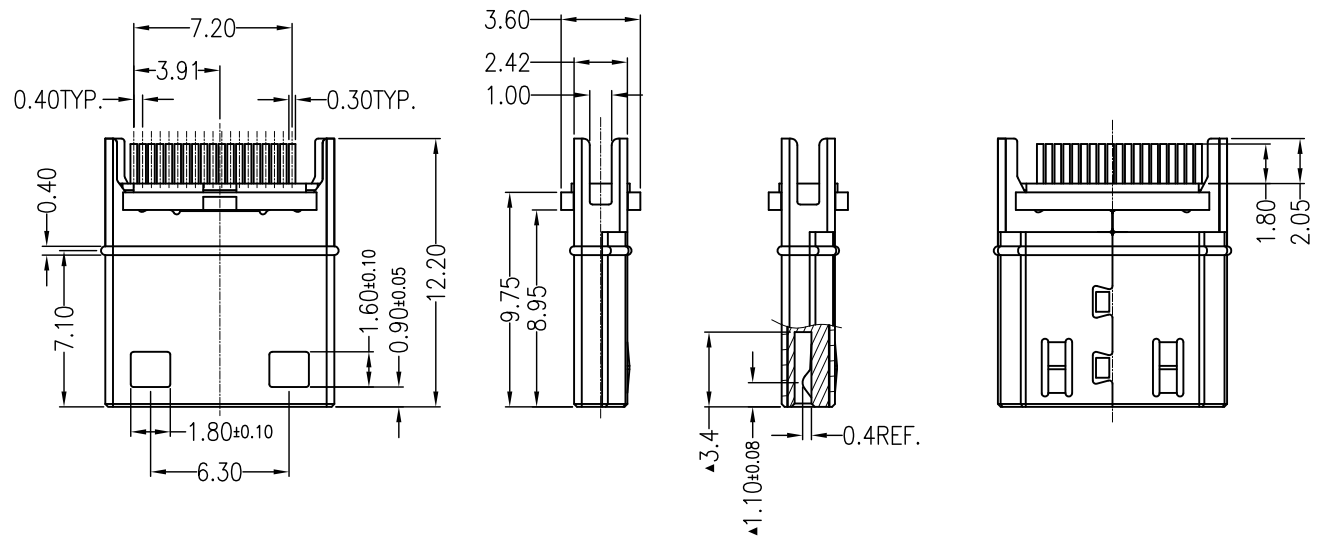
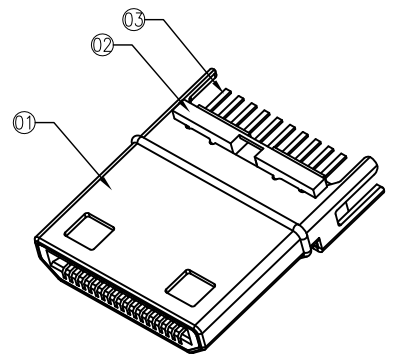
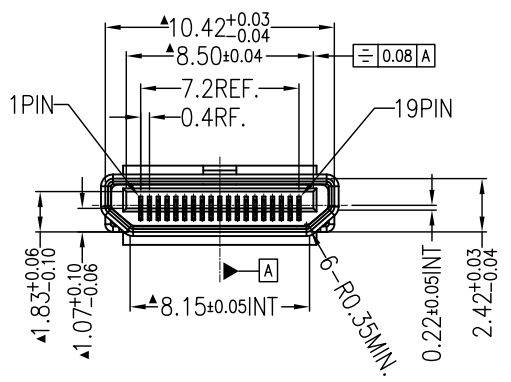


版次 REV.	变更编号 ECN.NO.	编号位置 LOCATIONS	变更内容 MODIFY.CONTENT	负责人 DESIGN	变更日期 DATE



- Specifications:
- 1.Insertion force:44.1N MAX.
  - 2.Withdrawal force:7~25N.
  - 3.Durability:5000 Cycles.
  - 4.Current rating:0.5A
  - 5.Voltage rating:40V AC MAX.
  - 6.Dielectric strength:  
500V AC MIN.(UNMATED)  
300V AC MIN.(MATED)
  - 7.Contact resistance:30mΩ MAX.
  - 8.Insulation resistance:  
100MΩ MIN(UNMATED)  
10MΩ MIN(MATED)
  - 9.Temperature: -20℃ TO +85℃.
  - 10.All the material must accord with the RoHS.
  - 11.The important dimensions with "▲"



Part Number:  
HCM X X P XX 08

Shell Material:  
C:C2680 F: SPCC

Shell Plating:  
C:Gold?N: Nickle

PIN: 19PIN

Without PCB  
Terminal Plating:  
01:Au 1u"  
03:Au 3u"  
15:Au 15u"

TOLERANCE UNSPECIFIED		图号 DWG.NO.	A02-0008	绘图 DRAWN	JAYPENG	比例 SCALE	3:1
X.±0.30	X.*±4*	品名 PART.NAME	MINI HDMI 19P M 成品(有弹有筋无卡点)夹板式	审核 CHECKED	JAYPENG	单位 UNITS	mm
.X±0.20	.X*±3*	料号 PART.NO.	HCMXXPXX08	核准 APPROVED			
.XX±0.15	.XX*±2*	版次 REV.		日期 DATE	2012/07/12		
.XXX±0.05	.XXX*±1*	图次 SHEET	1/2	尺寸 SIZE	A4		

03	Terminal	C5191	19	Gold plated within connect area ,Tin plated within solder area
02	Housing	LCP	1	Color is black and UL94V-0
01	Shell	SPCC/C2680	1	Plating nickle or gold overall
序号 NO.	品名 PART NAME.	材料 MATERIAL	用量 QTY	备注说明 NOTE