

## FEATURES AND SPECIFICATIONS

### Features and Benefits

- Sizes 3 to 30 circuits
- For 0.30mm thick FFC/FPC
- Metal solder tabs provide PCB hold-down and strain relief for SMT tails

### Reference Information

Packaging: Embossed tape  
 UL File No.: E29179  
 CSA File No.: LR19980  
 Designed In: Millimeters

### Electrical

Voltage: 125V  
 Current: 1.0A  
 Contact Resistance: 20mΩ max.  
 Dielectric Withstanding Voltage: 500V AC/1 min.  
 Insulation Resistance: 100 MΩ min.

### Physical

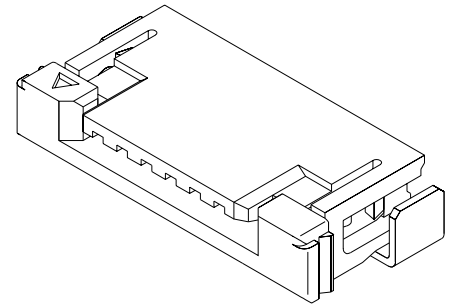
Housing: 4/6 nylon, UL 94V-0  
 Actuator: PPS, UL 94V-0  
 Contact: Phosphor Bronze  
 Plating: Tin  
 Solder Tabs: Copper Alloy, Tin plating  
 Operating Temperature: -20 to +85°C



## 1.00mm (.039") Pitch FFC/FPC Connector

### 52207

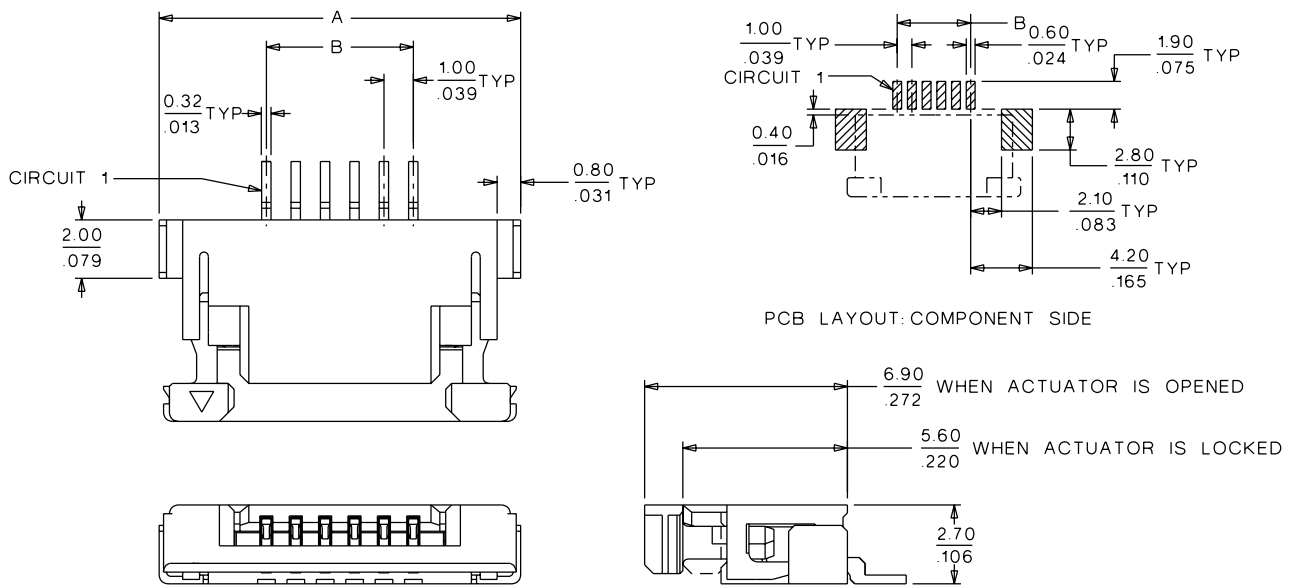
## Right Angle, SMT, ZIF Top Contact Style



FFC/FPC Connectors



## CATALOG DRAWING (FOR REFERENCE ONLY)



## ORDERING INFORMATION AND DIMENSIONS

Circuits	Order No.	Dimension		Carrier Tape Width
		A	B	
3	52207-0390	9.30 (.366)	2.00 (.079)	16.00 (.629)
4	52207-0490	10.30 (.405)	3.00 (.118)	24.00 (.945)
5	52207-0590	11.30 (.444)	4.00 (.157)	24.00 (.945)
6	52207-0690	12.30 (.484)	5.00 (.196)	24.00 (.945)
7	52207-0790	13.30 (.523)	6.00 (.236)	24.00 (.945)
8	52207-0890	14.30 (.562)	7.00 (.275)	24.00 (.945)
9	52207-0990	15.30 (.602)	8.00 (.314)	24.00 (.945)
10	52207-1090	16.30 (.641)	9.00 (.354)	24.00 (.945)
11	52207-1190	17.30 (.681)	10.00 (.393)	24.00 (.945)
12	52207-1290	18.30 (.720)	11.00 (.433)	32.00 (1.260)
13	52207-1390	19.30 (.759)	12.00 (.472)	32.00 (1.260)
14	52207-1490	20.30 (.799)	13.00 (.511)	32.00 (1.260)
15	52207-1590	21.30 (.838)	14.00 (.551)	32.00 (1.260)
16	52207-1690	22.30 (.877)	15.00 (.590)	32.00 (1.260)

Circuits	Order No.	Dimension		Carrier Tape Width
		A	B	
17	52207-1790	23.30 (.917)	16.00 (.629)	44.00 (1.732)
18	52207-1890	24.30 (.956)	17.00 (.669)	44.00 (1.732)
19	52207-1990	25.30 (.996)	18.00 (.708)	44.00 (1.732)
20	52207-2090	26.30 (1.035)	19.00 (.748)	44.00 (1.732)
21	52207-2190	27.30 (1.074)	20.00 (.787)	44.00 (1.732)
22	52207-2290	28.30 (1.114)	21.00 (.826)	44.00 (1.732)
23	52207-2390	29.30 (1.153)	22.00 (.866)	44.00 (1.732)
24	52207-2490	30.30 (1.192)	23.00 (.905)	44.00 (1.732)
25	52207-2590	31.30 (1.232)	24.00 (.944)	44.00 (1.732)
26	52207-2690	32.30 (1.271)	25.00 (.984)	44.00 (1.732)
27	52207-2790	33.30 (1.311)	26.00 (1.023)	44.00 (1.732)
28	52207-2890	34.30 (1.350)	27.00 (1.062)	56.00 (2.205)
30	52207-3090	36.30 (1.430)	29.00 (1.142)	56.00 (2.205)

Note: For cable specification dimensions, see cable pages at end of section