

1

2

3

4

5

6

A

A

B

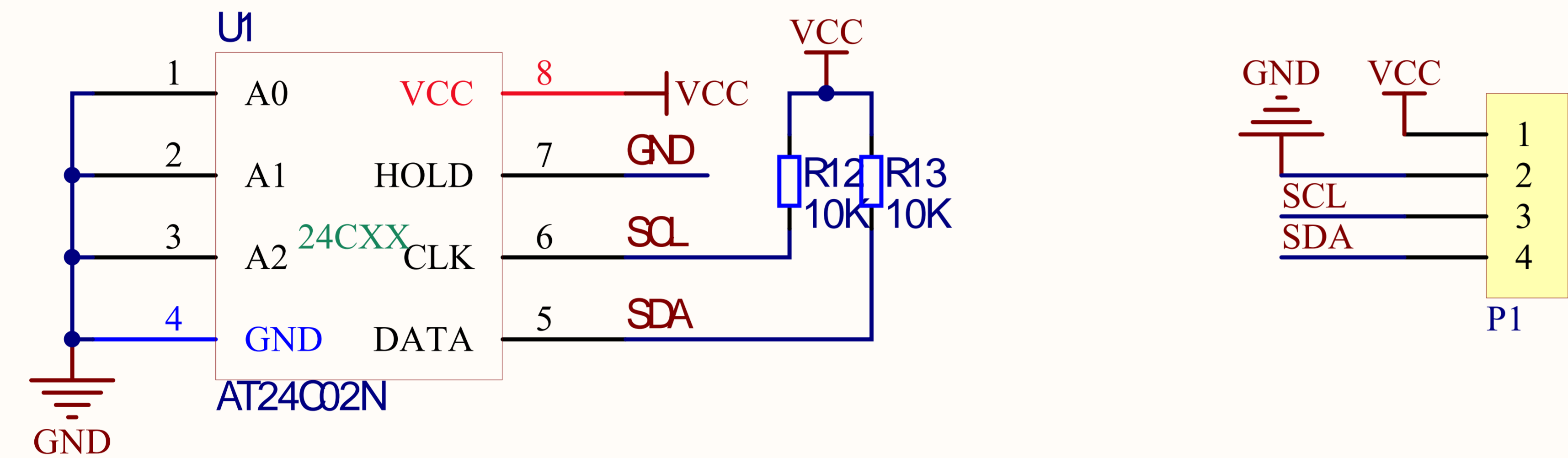
B

C

C

D

D



Title			
Size	Number		Revision
A4			
Date:	2012-12-3		Sheet of
File:	E:\ \.\ .SchDoc		Drawn By:

1

2

3

4

5

6