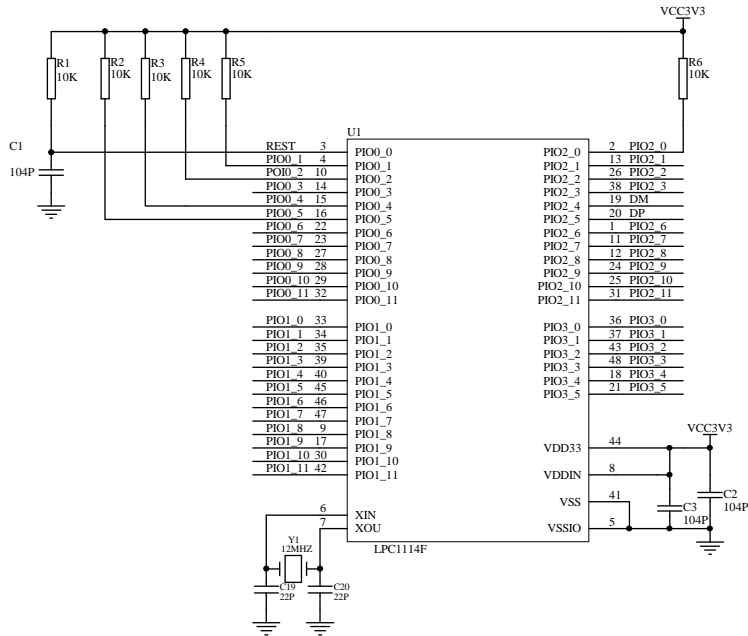
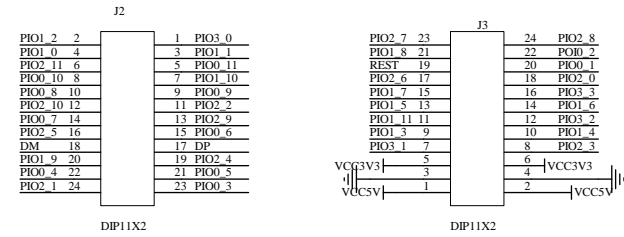


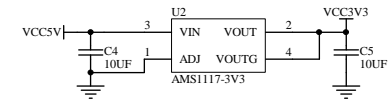
LPC1114F_MCU



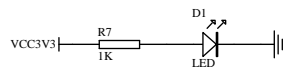
PIN_IN



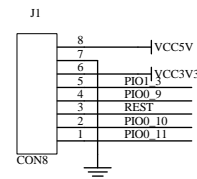
POWER 3.3V



LED



SWD



+5V
GND
3.3V
TMS_SWD
REST
TDO_SWO
TCK
TDI

Title		LPC1114F	
Size	Number	aitendo	
B		Revision	V1.0
Date:	25-Nov-2012	Sheet of	
File:	各客户文件\aitendo\2012\11\7\LPC1114F	EDA\BOM\BDB	