

SMC0618

Soft chirp 6 alarm sounds **SPECIFICATION**

Version 0.2
March, 2006

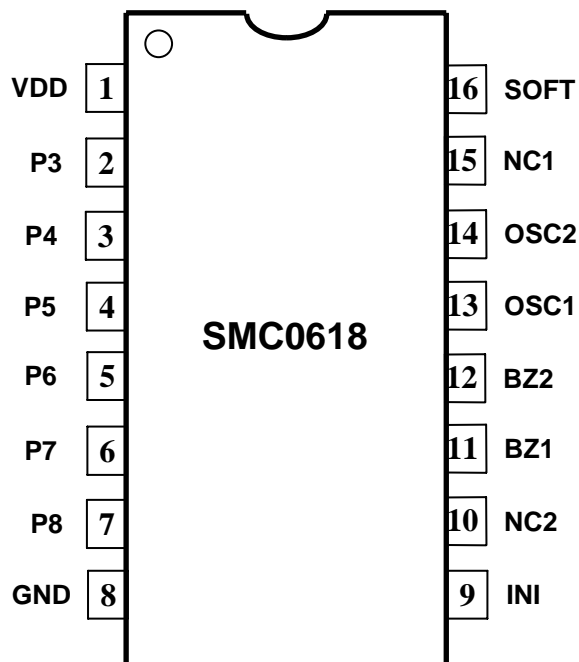
SMC0618

The SMC0618 is a CMOS design for six different alarm sounds application. According to the priority of the select keys. The sound of SMC0618 will be generated in cycling sequence, The SOFT CHIRP only be generated within 260ms of the first sound.

FEATURES:

1. Low Operating Voltage 3V~5V.
2. CMOS process.
3. On-chip RC oscillator.
4. 6 different sounds.
5. 6 prioritized keys for select 6 different sounds.
6. Low stand by current.
7. 260ms SOFT CHIRP

PIN DIAGRAM



PIN OUT AND DESCRIPTION

Symbol	Description	PIN	I/P,O/P
VCC	Power	1	
P8 P7 P6 P5 P4 P3	Sound selection keys.These connect with Internal pull-down Resistor.The sound Output will be enable when a key is connected to VDD, on other hands, the sound output will be disabled if a key is N.C. or connected to GND(ground). When two or more keys are selected in the same time,the sound will be generate d in cycling sequence, according to the Priority of the keys. The priority of P8~P3 list below: P8>P7>P6>P5>P4>P3	2 3 4 5 6 7	I/P
GND	Ground	8	
INI	An internal pull-up resistor. Might disable BZ1,BZ2 when connected to GND.	9	I/P
BZ1 BZ2	Audio output	11 12	O/P
OSC1 OSC2	Oscillator pin	13 14	
SOFT	Open = 6 Tone Vcc = 6 Tone with 260ms soft chirp.	16	I/P
NC1 NC2	No connecting	15,10	

ELECTRICAL CHARACTERISTICS

VCC=5V, Temp. =25°C

Parameter	Symbol	Min.	Typ.	Max.	Unit
Operating Voltage	VCC	3.0	5.0	-	V
Stand-By Current	I _{sb}	6	30	-	uA
Operating Current	I _{op}	100	500	-	uA
BZ1, BZ2 Driving Current	I _{oh} V _{oh} =2.5	-	4.5	-	mA
	I _{ol} V _{ol} =0.5	-	6.5	-	mA
Operating Frequency	F _{op}	-	128	-	K Hz

ABSOLUTE MAXIMUM RATINGS

Symbol	Parameter	Rating	Unit
VCC	Supply Voltage	-0.3 ~ 6	V
V _i	Input Voltage	-0.3 ~ V _{cc} +0.3	V
V _o	Output Voltage	-0.3 ~ V _{cc} +0.3	V
T _{st}	Storage Temperature	-40 ~ 125	°C
T _{tp}	Operating Temperature	0 ~ 65	°C

APPLICATION CIRCUIT

