

SMC9100/SMC9608

HV 1/6 alarm sounds

SPECIFICATION

Version 0.1

July, 2005

Smartchip Microelectronics Corp.

4F-8, No. 736, Jung Jeng Road, Junghe, 23552 Taipei County, Taiwan
Telephone : +886-2-8226-2811, Fax : +886-2-8226-2812

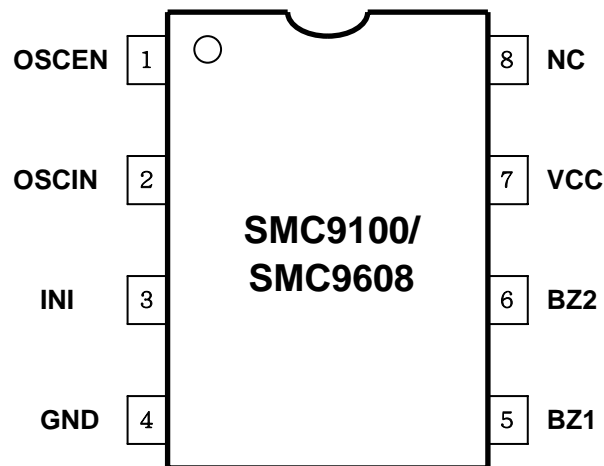
SMC9100 / SMC9608

The SMC9100 & SMC9608 is a one tone and six tone design for alarm sound application CMOS IC.

FEATURES:

1. Low Operating Voltage 12V.
2. CMOS process.
3. Single RC oscillator.

PIN DIAGRAM



PIN OUT AND DESCRIPTION

Symbol	Description	PIN	I/P,O/P
OSCEN	Oscillator pin	1	O/P
OSCIN	Oscillator pin	2	I/P
INI	An internal pull-up resistor. Might disable BZ1,BZ2 when connected to GND.	3	I/P
GND	Ground	4	
BZ1	Audio output	5	O/P
BZ2	Audio output	6	O/P
VCC	Power	7	
NC	No connecting	8	

ELECTRICAL CHARACTERISTICS

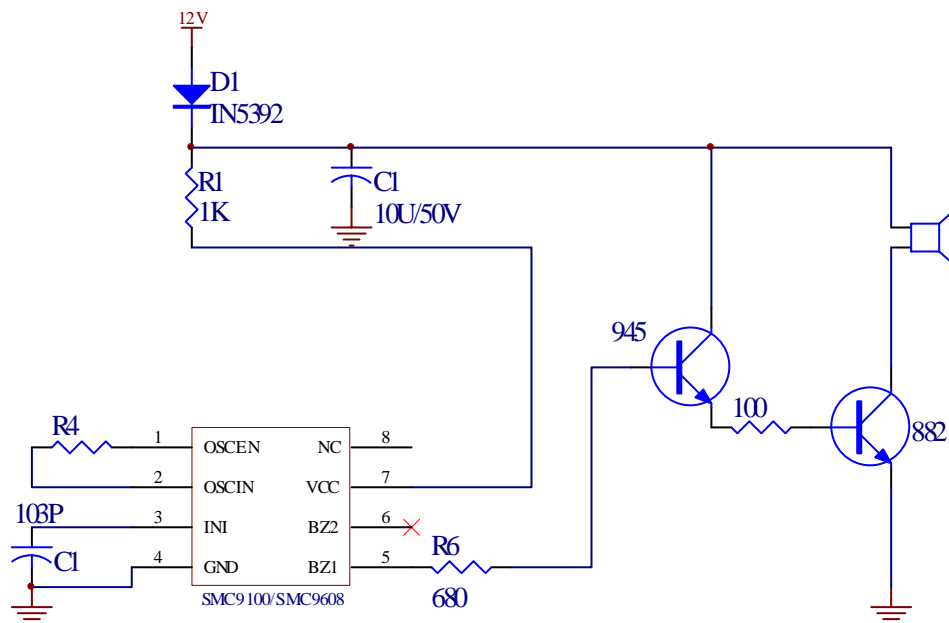
VCC=12V, Temp. =25°C

Parameter	Symbol	Min.	Typ.	Max.	Unit
Operating Voltage	VCC	-	12	-	V
Operating Current (No Load)	Iop	-	3	-	mA
BZ1, BZ2 Driving Current	Ioh Voh=5	-	800	-	uA
	Iol Vol=1	-	15	-	mA
Operating Frequency	Fop (R4 ≐ 100K)	-	128	-	K Hz

ABSOLUTE MAXIMUM RATINGS

Symbol	Parameter	Rating	Unit
VCC	Supply Voltage	-0.3 ~ 12	V
Vi	Input Voltage	-0.3 ~ Vcc+0.3	V
Vo	Output Voltage	-0.3 ~ Vcc+0.3	V
Tst	Storage Temperature	-40 ~ 125	°C
Ttp	Operating Temperature	0 ~ 65	°C

APPLICATION CIRCUIT



(FIG.1)