

### Features

- Low power consumption
- Low voltage drop
- Low temperature coefficient
- High input voltage (up to 24V)
- High output current : 100mA ( $P_d \leq 250\text{mW}$ )
- Output voltage accuracy: tolerance  $\pm 3\%$
- TO-92, SOT-89 and SOT-25 package

### Applications

- Battery-powered equipment
- Communication equipment
- Audio/Video equipment

### General Description

The HT75XX-1 series is a set of three-terminal high current low voltage regulator implemented in CMOS technology. They can deliver 100mA output current and allow an input voltage as high as 24V. They are available with several fixed output voltages ranging from 3.0V to 5.0V. CMOS technology ensures low voltage drop and low quiescent current.

Although designed primarily as fixed voltage regulators, these devices can be used with external components to obtain variable voltages and currents.

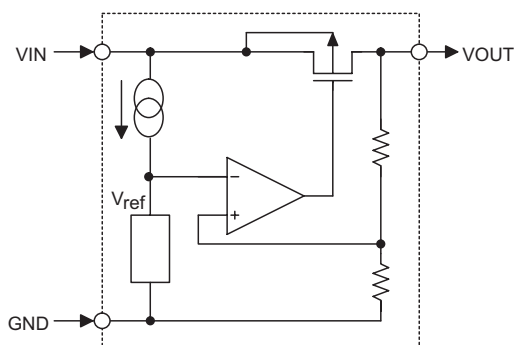
### Selection Table

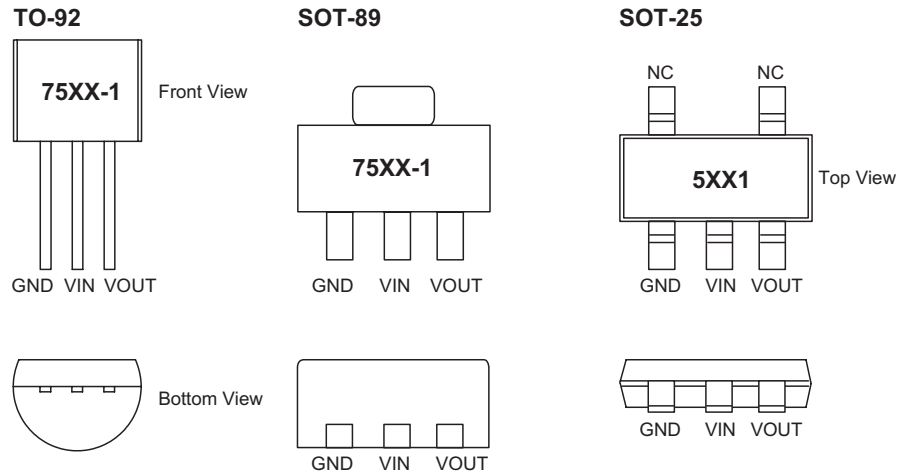
Part No.	Output Voltage	Package	Marking
HT7530-1	3.0V	TO-92 SOT-89 SOT-25	75XX-1 (for TO-92) 75XX-1 (for SOT-89) 5XX1 (for SOT-25)
HT7533-1	3.3V		
HT7536-1	3.6V		
HT7544-1	4.4V		
HT7550-1	5.0V		

Note: "XX" stands for output voltages.

For lead free devices, TO-92 package will add a "#" mark at the end of the date code, whereas SOT-89 & SOT-25 packages will add a "#" mark at the end of the marking.

### Block Diagram



**Pin Assignment**

**Absolute Maximum Ratings**

Supply Voltage .....	-0.3V to 26V	Storage Temperature .....	-50°C to 125°C
Power Consumption (*1) .....	250mW	Operating Temperature .....	-40°C to 85°C
Power Consumption (*2) .....	150mW		

Note: These are stress ratings only. Stresses exceeding the range specified under "Absolute Maximum Ratings" may cause substantial damage to the device. Functional operation of this device at other conditions beyond those listed in the specification is not implied and prolonged exposure to extreme conditions may affect device reliability.

\*1: applied to SOT89 and TO-92

\*2: applied to SOT-25

**Electrical Characteristics**
**HT7530-1, +3.0V Output Type**

Ta=25°C

Symbol	Parameter	Test Conditions		Min.	Typ.	Max.	Unit
		V <sub>IN</sub>	Conditions				
V <sub>OUT</sub>	Output Voltage Tolerance	5V	I <sub>OUT</sub> =10mA	2.91	3.0	3.09	V
I <sub>OUT</sub>	Output Current	5V	—	60	100	—	mA
ΔV <sub>OUT</sub>	Load Regulation	5V	1mA ≤ I <sub>OUT</sub> ≤ 50mA		60	150	mV
V <sub>DIF</sub>	Voltage Drop	—	I <sub>OUT</sub> =1mA	—	100	—	mV
I <sub>SS</sub>	Current Consumption	5V	No load	—	2.5	5	μA
$\frac{\Delta V_{OUT}}{\Delta V_{IN} \times V_{OUT}}$	Line Regulation	—	4V ≤ V <sub>IN</sub> ≤ 24V I <sub>OUT</sub> =1mA	—	0.2	—	%/V
V <sub>IN</sub>	Input Voltage	—	—	—	—	24	V
$\frac{\Delta V_{OUT}}{\Delta T_a}$	Temperature Coefficient	5V	I <sub>OUT</sub> =10mA 0°C < Ta < 70°C	—	±0.45	—	mV/°C

**HT7533-1, +3.3V Output Type**

Ta=25°C

Symbol	Parameter	Test Conditions		Min.	Typ.	Max.	Unit
		V <sub>IN</sub>	Conditions				
V <sub>OUT</sub>	Output Voltage Tolerance	5.5V	I <sub>OUT</sub> =10mA	3.201	3.3	3.399	V
I <sub>OUT</sub>	Output Current	5.5V	—	60	100	—	mA
ΔV <sub>OUT</sub>	Load Regulation	5.5V	1mA ≤ I <sub>OUT</sub> ≤ 50mA	—	60	150	mV
V <sub>DIF</sub>	Voltage Drop	—	I <sub>OUT</sub> =1mA	—	100	—	mV
I <sub>SS</sub>	Current Consumption	5.5V	No load	—	2.5	5	μA
$\frac{\Delta V_{OUT}}{\Delta V_{IN} \times V_{OUT}}$	Line Regulation	—	4.5V ≤ V <sub>IN</sub> ≤ 24V I <sub>OUT</sub> =1mA	—	0.2	—	%/V
V <sub>IN</sub>	Input Voltage	—	—	—	—	24	V
$\frac{\Delta V_{OUT}}{\Delta T_a}$	Temperature Coefficient	5.5V	I <sub>OUT</sub> =10mA 0°C < Ta < 70°C	—	±0.5	—	mV/°C

**HT7536-1, +3.6V Output Type**

Ta=25°C

Symbol	Parameter	Test Conditions		Min.	Typ.	Max.	Unit
		V <sub>IN</sub>	Conditions				
V <sub>OUT</sub>	Output Voltage Tolerance	5.6V	I <sub>OUT</sub> =10mA	3.492	3.6	3.708	V
I <sub>OUT</sub>	Output Current	5.6V	—	60	100	—	mA
ΔV <sub>OUT</sub>	Load Regulation	5.6V	1mA ≤ I <sub>OUT</sub> ≤ 50mA	—	60	150	mV
V <sub>DIF</sub>	Voltage Drop	—	I <sub>OUT</sub> =1mA	—	100	—	mV
I <sub>SS</sub>	Current Consumption	5.6V	No load	—	2.5	5	μA
$\frac{\Delta V_{OUT}}{\Delta V_{IN} \times V_{OUT}}$	Line Regulation	—	4.6V ≤ V <sub>IN</sub> ≤ 24V I <sub>OUT</sub> =1mA	—	0.2	—	%/V
V <sub>IN</sub>	Input Voltage	—	—	—	—	24	V
$\frac{\Delta V_{OUT}}{\Delta T_a}$	Temperature Coefficient	5.6V	I <sub>OUT</sub> =10mA 0°C < Ta < 70°C	—	±0.6	—	mV/°C

**HT7544-1, +4.4V Output Type**

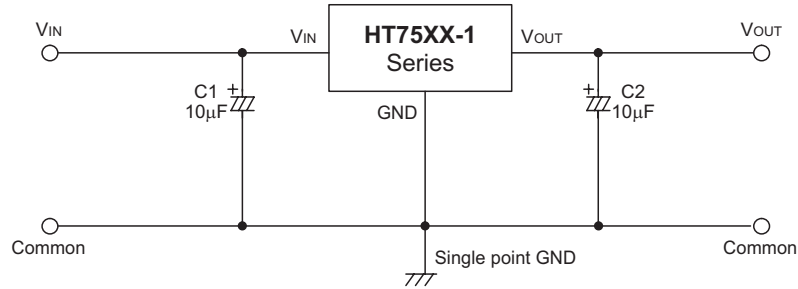
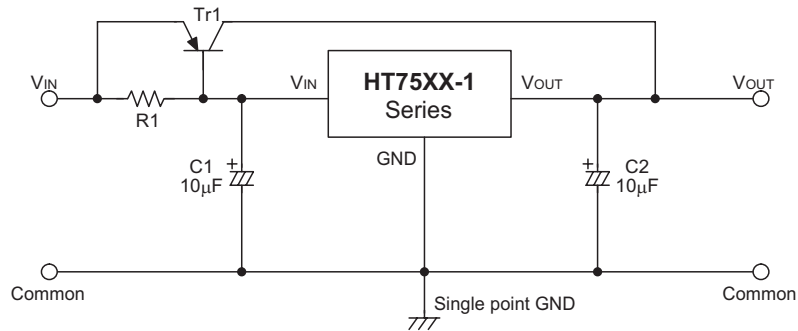
Ta=25°C

Symbol	Parameter	Test Conditions		Min.	Typ.	Max.	Unit
		V <sub>IN</sub>	Conditions				
V <sub>OUT</sub>	Output Voltage Tolerance	6.4V	I <sub>OUT</sub> =10mA	4.268	4.4	4.532	V
I <sub>OUT</sub>	Output Current	6.4V	—	60	100	—	mA
ΔV <sub>OUT</sub>	Load Regulation	6.4V	1mA ≤ I <sub>OUT</sub> ≤ 50mA	—	60	150	mV
V <sub>DIF</sub>	Voltage Drop	—	I <sub>OUT</sub> =1mA	—	100	—	mV
I <sub>SS</sub>	Current Consumption	6.4V	No load	—	2.5	5	μA
$\frac{\Delta V_{OUT}}{\Delta V_{IN} \times V_{OUT}}$	Line Regulation	—	5.4V ≤ V <sub>IN</sub> ≤ 24V I <sub>OUT</sub> =1mA	—	0.2	—	%/V
V <sub>IN</sub>	Input Voltage	—	—	—	—	24	V
$\frac{\Delta V_{OUT}}{\Delta T_a}$	Temperature Coefficient	6.4V	I <sub>OUT</sub> =10mA 0°C < Ta < 70°C	—	±0.7	—	mV/°C

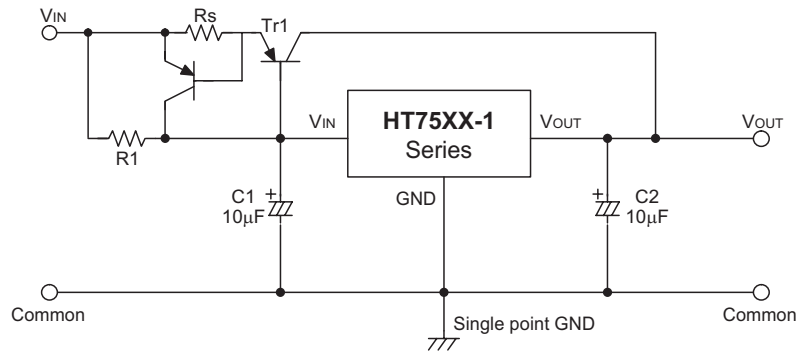
**HT7550-1, +5.0V Output Type**

Ta=25°C

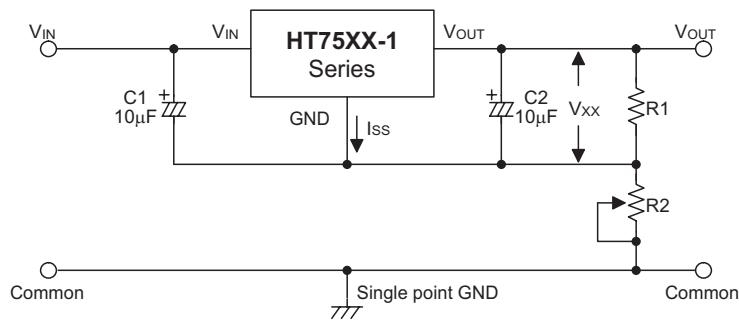
Symbol	Parameter	Test Conditions		Min.	Typ.	Max.	Unit
		V <sub>IN</sub>	Conditions				
V <sub>OUT</sub>	Output Voltage Tolerance	7V	I <sub>OUT</sub> =10mA	4.85	5.0	5.15	V
I <sub>OUT</sub>	Output Current	7V	—	100	150	—	mA
ΔV <sub>OUT</sub>	Load Regulation	7V	1mA ≤ I <sub>OUT</sub> ≤ 70mA	—	60	150	mV
V <sub>DIF</sub>	Voltage Drop	—	I <sub>OUT</sub> =1mA	—	100	—	mV
I <sub>SS</sub>	Current Consumption	7V	No load	—	2.5	5	μA
$\frac{\Delta V_{OUT}}{\Delta V_{IN} \times V_{OUT}}$	Line Regulation	—	6V ≤ V <sub>IN</sub> ≤ 24V I <sub>OUT</sub> =1mA	—	0.2	—	%/V
V <sub>IN</sub>	Input Voltage	—	—	—	—	24	V
$\frac{\Delta V_{OUT}}{\Delta T_a}$	Temperature Coefficient	7V	I <sub>OUT</sub> =10mA 0°C < Ta < 70°C	—	±0.75	—	mV/°C

**Application Circuits**
**Basic Circuit**

**High Output Current Positive Voltage Regulator**


Short-Circuit Protection for Tr1

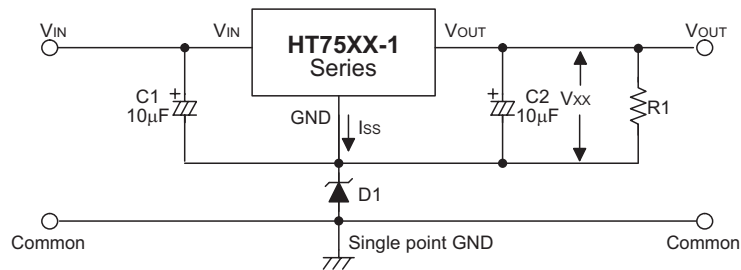


Circuit for Increasing Output Voltage



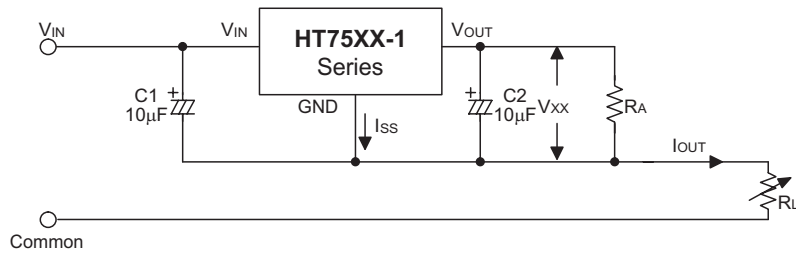
$$V_{OUT} = V_{xx} \left( 1 + \frac{R2}{R1} \right) + I_{ss} R2$$

Circuit for Increasing Output Voltage



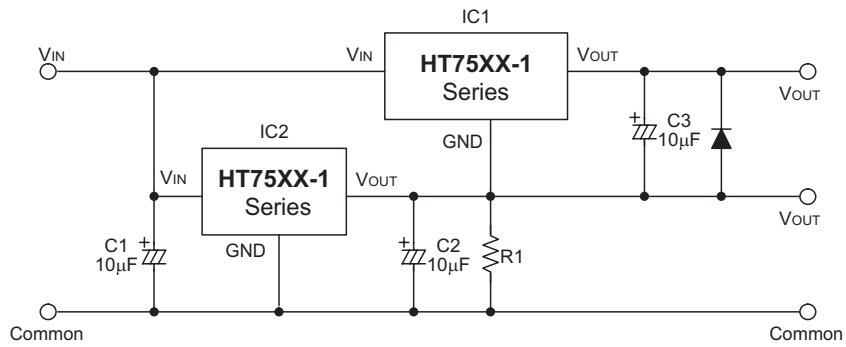
$$V_{OUT} = V_{xx} + V_{D1}$$

Constant Current Regulator



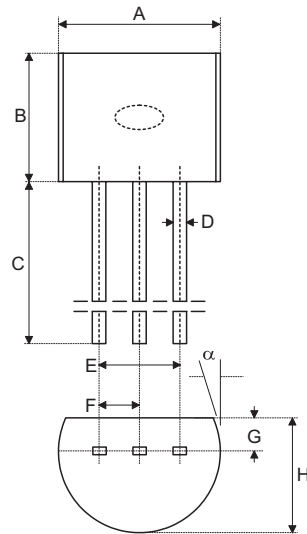
$$I_{OUT} = \frac{V_{XX}}{R_A} + I_{SS}$$

Dual Supply



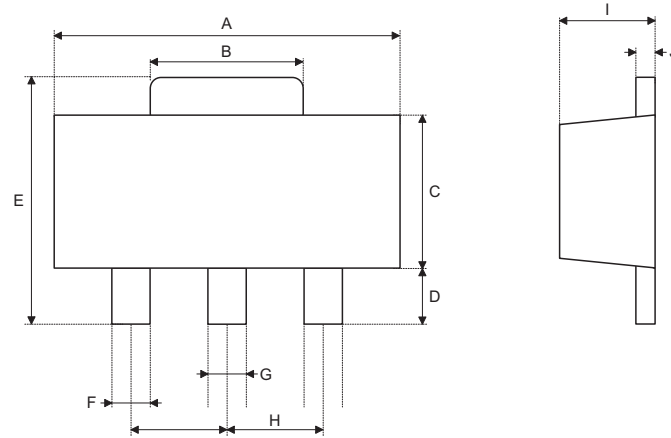
**Package Information**

**3-pin TO-92 Outline Dimensions**



Symbol	Dimensions in mil		
	Min.	Nom.	Max.
A	170	—	200
B	170	—	200
C	500	—	—
D	11	—	20
E	90	—	110
F	45	—	55
G	45	—	65
H	130	—	160
I	8	—	18
$\alpha$	4°	—	6°

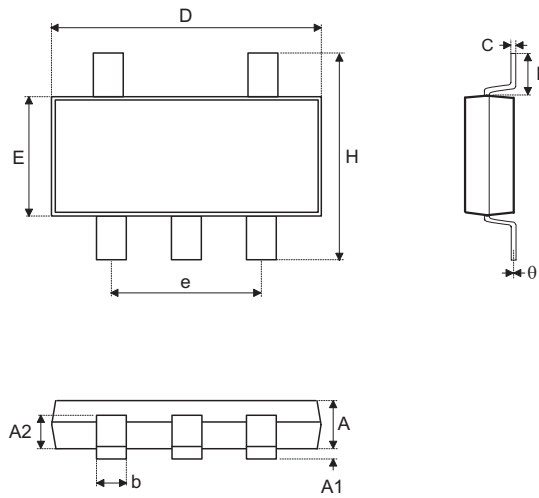
**3-pin SOT-89 Outline Dimensions**



Symbol	Dimensions in mil		
	Min.	Nom.	Max.
A	173	—	181
B	64	—	72
C	90	—	102
D	35	—	47
E	155	—	167
F	14	—	19
G	17	—	22
H	—	59	—
I	55	—	63
J	14	—	17



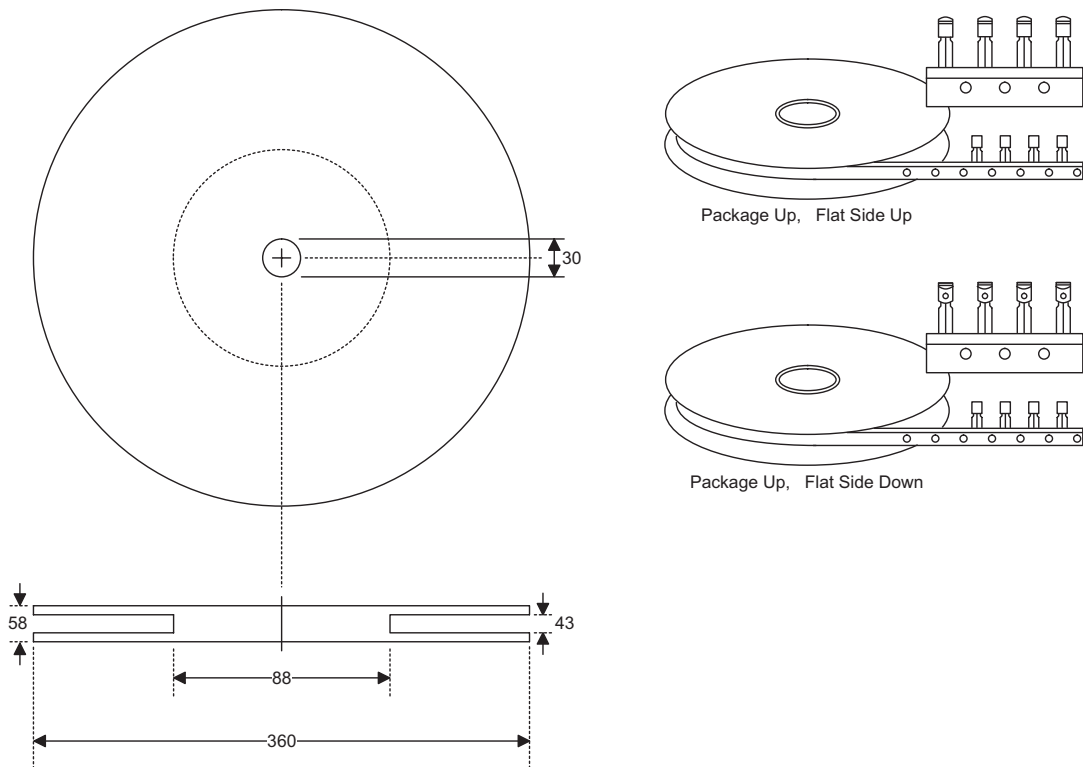
**5-pin SOT-25 Outline Dimensions**



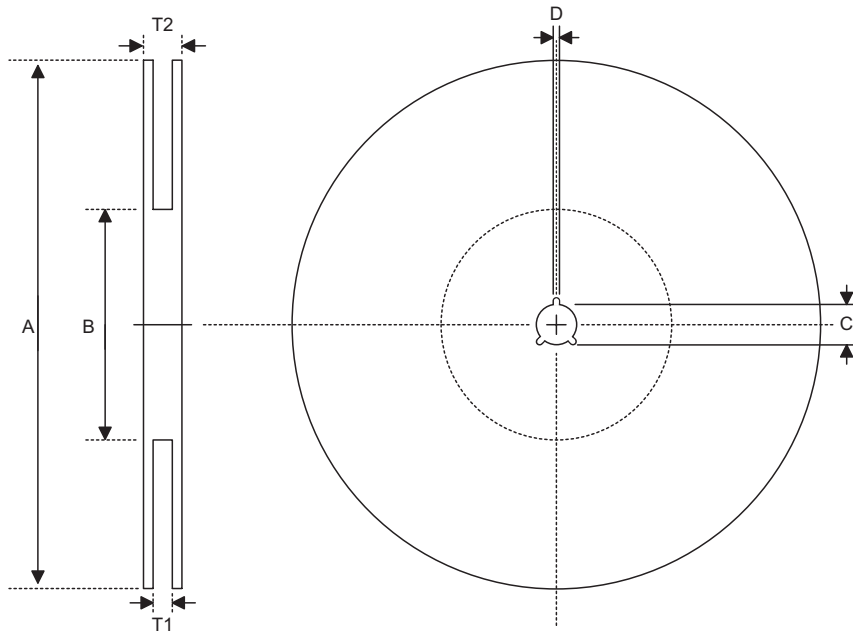
Symbol	Dimensions in mm		
	Min.	Nom.	Max.
A	1.00	—	1.30
A1	—	—	0.10
A2	0.70	—	0.90
b	0.35	—	0.50
C	0.10	—	0.25
D	2.70	—	3.10
E	1.40	—	1.80
e	—	1.90	—
H	2.60	—	3
L	0.37	—	—
θ	1°	—	9°

**Product Tape and Reel Specifications**

TO-92 Reel Dimensions (Unit: mm)



**SOT-89 & SOT-25 Reel Dimensions**

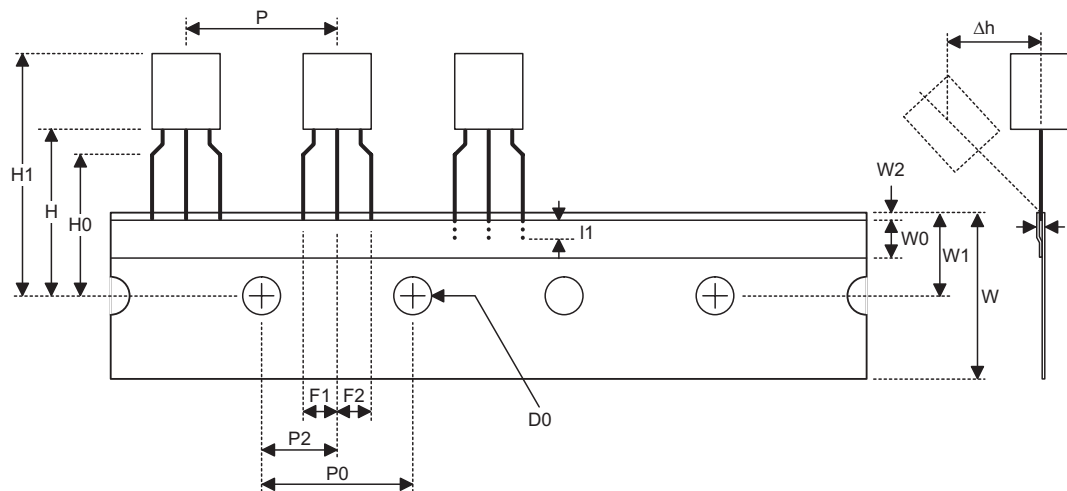


**SOT-89**

Symbol	Description	Dimensions in mm
A	Reel Outer Diameter	180±1.0
B	Reel Inner Diameter	62±1.5
C	Spindle Hole Diameter	12.75+0.15
D	Key Slit Width	1.9±0.15
T1	Space Between Flange	12.4+0.2
T2	Reel Thickness	17-0.4

**SOT-25**

Symbol	Description	Dimensions in mm
A	Reel Outer Diameter	178±1.0
B	Reel Inner Diameter	62±1.0
C	Spindle Hole Diameter	13.0±0.2
D	Key Slit Width	2.5±0.25
T1	Space Between Flange	8.4+1.5 -0.0
T2	Reel Thickness	11.4+1.5

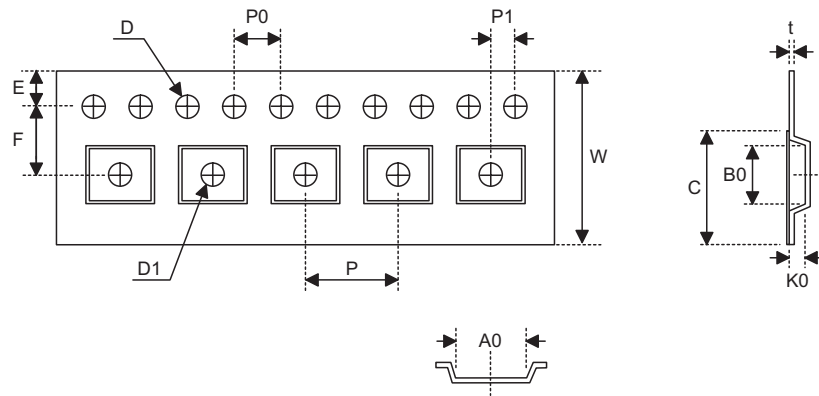
**TO-92 Carrier Tape Dimensions**

**TO-92**

Symbol	Description	Dimensions in mm
l1	Taped Lead Length	(2.5)
P	Component Pitch	12.7±1.0
P <sub>0</sub>	Perforation Pitch	12.7±0.3
P <sub>2</sub>	Component to Perforation (Length Direction)	6.35±0.4
F <sub>1</sub>	Lead Spread	2.5+0.4 -0.1
F <sub>2</sub>	Lead Spread	2.5+0.4 -0.1
Δh	Component Alignment	0±0.1
W	Carrier Tape Width	18.0+1.0 -0.5
W <sub>0</sub>	Hold-down Tape Width	6.0±0.5
W <sub>1</sub>	Perforation Position	9.0±0.5
W <sub>2</sub>	Hold-down Tape Position	(0.5)
H <sub>0</sub>	Lead Clinch Height	16.0±0.5
H <sub>1</sub>	Component Height	Less than 24.7
D <sub>0</sub>	Perforation Diameter	4.0±0.2
t	Taped Lead Thickness	0.7±0.2
H	Component Base Height	19.0±0.5

Note: Thickness less than 0.38±0.05mm~0.5mm

P<sub>0</sub> Accumulated pitch tolerance: ±1mm/20pitches.

( ) Bracketed figures are for consultation only

**SOT-89 & SOT-25 Carrier Tape Dimensions**

**SOT-89**

Symbol	Description	Dimensions in mm
W	Carrier Tape Width	12.0+0.3 -0.1
P	Cavity Pitch	8.0±0.1
E	Perforation Position	1.75±0.1
F	Cavity to Perforation (Width Direction)	5.5±0.05
D	Perforation Diameter	1.5+0.1
D1	Cavity Hole Diameter	1.5+0.1
P0	Perforation Pitch	4.0±0.1
P1	Cavity to Perforation (Length Direction)	2.0±0.10
A0	Cavity Length	4.8±0.1
B0	Cavity Width	4.5±0.1
K0	Cavity Depth	1.8±0.1
t	Carrier Tape Thickness	0.30±0.013
C	Cover Tape Width	9.3

**SOT-25**

Symbol	Description	Dimensions in mm
W	Carrier Tape Width	8.0±0.3
P	Cavity Pitch	4.0
E	Perforation Position	1.75
F	Cavity to Perforation (Width Direction)	3.5±0.05
D	Perforation Diameter	1.5+0.1
D1	Cavity Hole Diameter	1.5+0.1
P0	Perforation Pitch	4.0
P1	Cavity to Perforation (Length Direction)	2.0
A0	Cavity Length	3.15
B0	Cavity Width	3.2
K0	Cavity Depth	1.4
t	Carrier Tape Thickness	0.20±0.03
C	Cover Tape Width	5.3

**Holtek Semiconductor Inc. (Headquarters)**

No.3, Creation Rd. II, Science Park, Hsinchu, Taiwan  
Tel: 886-3-563-1999  
Fax: 886-3-563-1189  
<http://www.holtek.com.tw>

**Holtek Semiconductor Inc. (Taipei Sales Office)**

4F-2, No. 3-2, YuanQu St., Nankang Software Park, Taipei 115, Taiwan  
Tel: 886-2-2655-7070  
Fax: 886-2-2655-7373  
Fax: 886-2-2655-7383 (International sales hotline)

**Holtek Semiconductor Inc. (Shanghai Sales Office)**

7th Floor, Building 2, No.889, Yi Shan Rd., Shanghai, China 200233  
Tel: 021-6485-5560  
Fax: 021-6485-0313  
<http://www.holtek.com.cn>

**Holtek Semiconductor Inc. (Shenzhen Sales Office)**

5/F, Unit A, Productivity Building, Cross of Science M 3rd Road and Gaoxin M 2nd Road, Science Park, Nanshan District, Shenzhen, China 518057  
Tel: 0755-8616-9908, 8616-9308  
Fax: 0755-8616-9533

**Holtek Semiconductor Inc. (Beijing Sales Office)**

Suite 1721, Jinyu Tower, A129 West Xuan Wu Men Street, Xicheng District, Beijing, China 100031  
Tel: 010-6641-0030, 6641-7751, 6641-7752  
Fax: 010-6641-0125

**Holtek Semiconductor Inc. (Chengdu Sales Office)**

709, Building 3, Champagne Plaza, No.97 Dongda Street, Chengdu, Sichuan, China 610016  
Tel: 028-6653-6590  
Fax: 028-6653-6591

**Holmate Semiconductor, Inc. (North America Sales Office)**

46729 Fremont Blvd., Fremont, CA 94538  
Tel: 510-252-9880  
Fax: 510-252-9885  
<http://www.holmate.com>

Copyright © 2006 by HOLTEK SEMICONDUCTOR INC.

The information appearing in this Data Sheet is believed to be accurate at the time of publication. However, Holtek assumes no responsibility arising from the use of the specifications described. The applications mentioned herein are used solely for the purpose of illustration and Holtek makes no warranty or representation that such applications will be suitable without further modification, nor recommends the use of its products for application that may present a risk to human life due to malfunction or otherwise. Holtek's products are not authorized for use as critical components in life support devices or systems. Holtek reserves the right to alter its products without prior notification. For the most up-to-date information, please visit our web site at <http://www.holtek.com.tw>.