
16W + 6W × 2 2.1 Channel CLASS-D AUDIO POWER AMPLIFIER

GENERAL DESCRIPTION

The TMPA4310DS is a 2.1 Channel Class-D output audio power amplifier for driving speakers with high power efficiency. The bass output is designed as BTL (Bridge-Tied-Load) for high output power. The right & left channels are designed as SE (Single-Ended). The outputs are able to drive 4Ω, 6Ω, 8Ω or 16Ω speakers. The output power can be up to 15W for bass and 6W for either Right or Left channel. No external heat-sink is necessary.

The gain of the amplifier is defined by either gain0/gain1 gain control or by input resistance. Thermal protection and short-circuit protection are integrated for safety purpose.

The internal de-pop circuitry eliminates pop noise at power-up & shutdown operations.

APPLICATIONS

TMPA4310DS is convenient for 2.1 channel applications. It can be used for LCD Monitors, TVs, DVD Players, Powered Speakers or any 2.1 channel power amplifiers.

PACKAGE

TQFP48L available, pb free [RoHS]

PART NO.

TMPA4310DSITA [Tray]

TMPA4310DSITR [Tape & Reel]

FEATURES

- ◆ 2.1 Channel Power Amplifier In One Chip
- ◆ Output Power Maximum 16W+6W×2 at RL=4Ω, VCC=15V
Rating 10W+3.8W×2 at RL=4Ω, VCC=12V
- ◆ Power Efficiency Is Up To 82%
- ◆ Low Working Voltage Down To 5V
- ◆ Convenient Gain Control
- ◆ Time Delay for De-pop Control
- ◆ Thermal Protection
- ◆ Output Pin Short-Circuit Protection And Automatic Recovery
- ◆ Low Quiescent Current (10mA typical at 12V)
- ◆ Low Current in Shutdown Mode (<1μA typical)
- ◆ Separate VCC & PVCC
- ◆ Regulated 5-V Supply Output

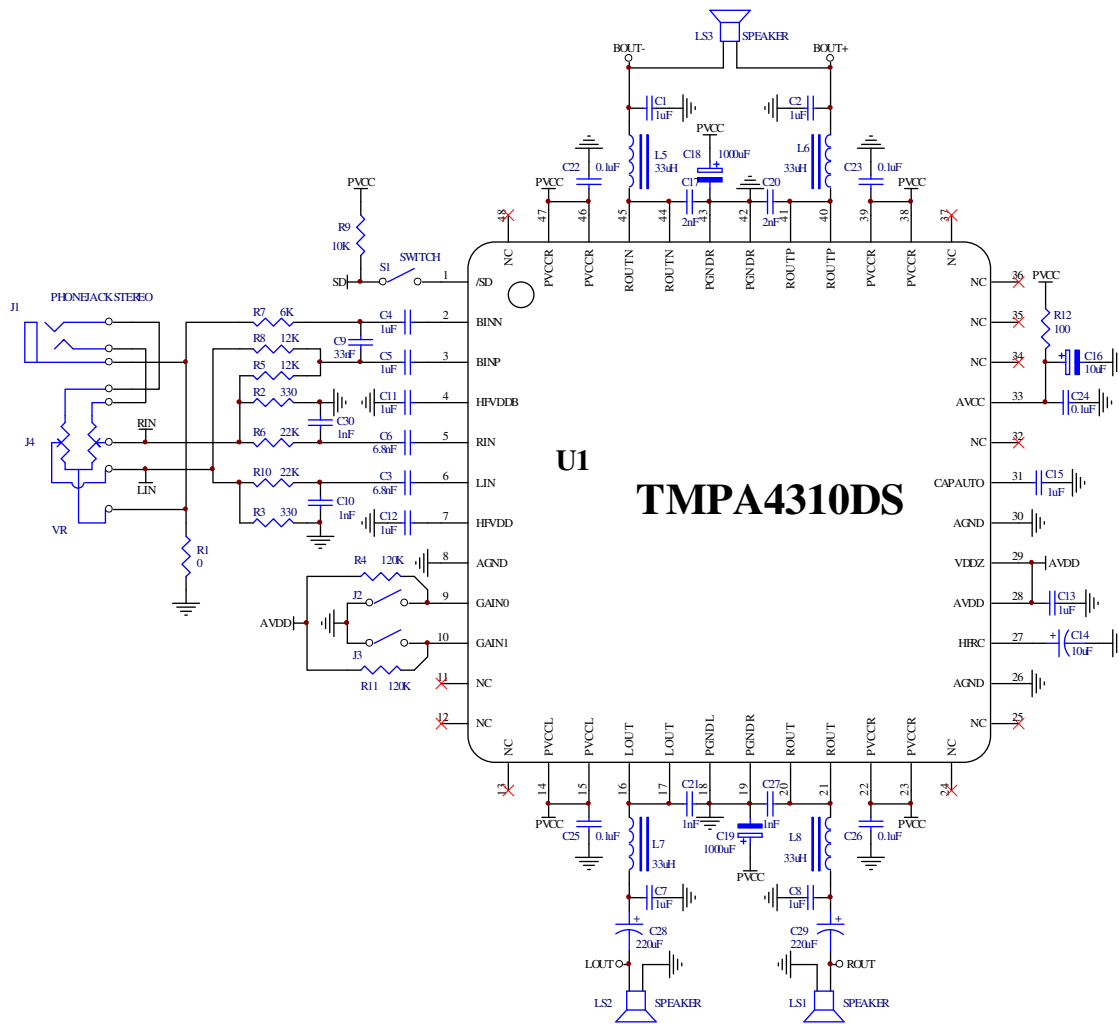
For best performance, please refer to

<http://www.taimec.com.tw/English/EVM.htm>

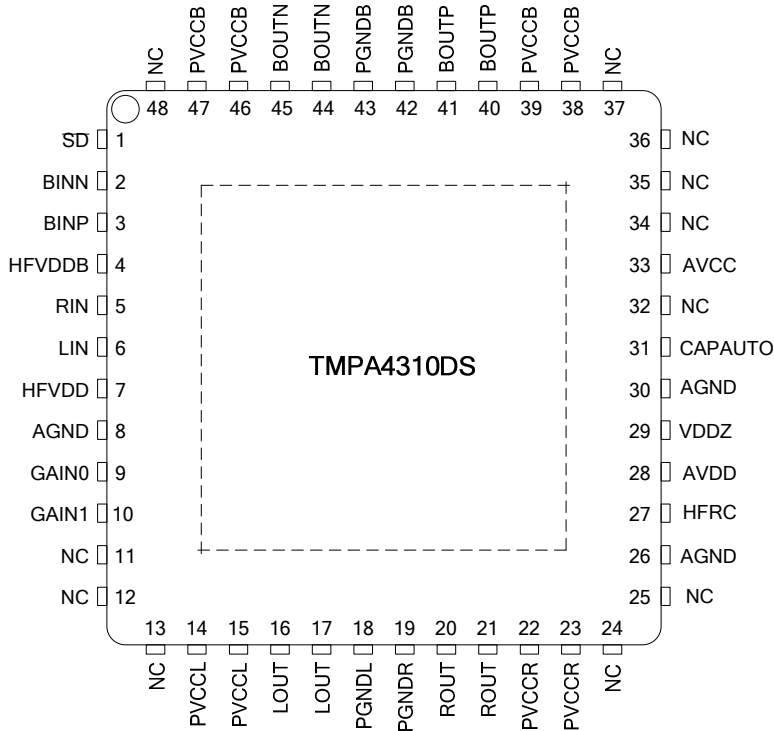
<http://www.class-d.com.tw/English/EVM.htm>

for PCB layout.

REFERENCE CIRCUIT



TQFP PACKAGE
(TOP VIEW)



(Please email david@taimec.com.tw for complete datasheet.)

Tai-1 Microelectronics reserves the right to make corrections, modifications, enhancements, improvements, and other changes to its products and services at any time and to discontinue any product or service without notice. Customers are responsible for their products and applications using Tai-1 Microelectronics components.

Note that the external components or PCB layout should be designed not to generate abnormal voltages to the chip to prevent from latch up which may cause damage to the device.

TERMINAL FUNCTIONS

TERMINAL		HV/LV	I/O	DESCRIPTION
NAME	PIN NO			
AGND	8,26,30	—	—	Analog ground
AVCC	33	HV	—	High-voltage power supply (5V to 15V)
AVDD	28	LV	I	5-V voltage
CAPAUTO	31	LV	O	Auto recovery capacitance
HFVDDDB	4	LV	O	2.5-V Reference for convenience of single-ended bass input
HFVDD	7	LV	O	2.5-V Reference for convenience of right and left channel inputs
HFRC	27	LV	O	Power up delay
LIN	6	LV	I	Left channel input
RIN	5	LV	I	Right channel input
ROUT	20,21	HV	O	Class-D right channel output
LOUT	16,17	HV	O	Class-D left channel output
PGNDR	19	—	—	Power ground for right channel
PGNDL	18	—	—	Power ground for left channel
PGNDB	42,43	—	—	Power ground for bass
PVCCR	22,23	HV	—	Power supply for right channel (5V to 15V)
PVCCCL	14,15	HV	—	Power supply for left channel (5V to 15V)
PVCCB	38,39,46,47	HV	—	Power supply for bass (5V to 15V)
BINP	3	LV	I	Positive differential input for bass
BINN	2	LV	I	Negative differential input for bass
BOUTN	44,45	HV	O	Class-D negative output for bass
BOU TP	40,41	HV	O	Class-D positive output for bass
SD	1	HV	I	Shutdown (Low valid)
GAIN0	9	LV	I	Gain0 control
GAIN1	10	LV	I	Gain1 control
VDDZ	29	LV	O	5-V Regulated output (25mA output max.)
NC	11,12,13,24, 25,32,34, 35, 36,37,48	—	—	No connection

ABSOLUTE MAXIMUM RATINGS

Over operating free-air temperature range unless otherwise noted(1)

Supply voltage, PVCCR, PVCCCL, AVCC (Iload=0)	In normal mode	-0.3V to 17V	V
	In shutdown mode	-0.3V to 17V	V
Input voltage, SD		-0.3V to AVCC+0.3V	V
Input voltage, Gain0, Gain1, RIN, LIN, BINP, BINN		-0.3V to 5V	V
Continuous total power dissipation		See package dissipation ratings	
Operating free-air temperature, TA		-20 to 85	°C
Operating junction temperature, Tj		-20 to 150	°C
Storage temperature, Tsig		-40 to 150	°C

(1) Stresses beyond those listed under "absolute maximum ratings" may cause permanent damage to the device. These are stress ratings only, and functional operation of the device at these or any other conditions beyond those indicated under "recommended operating conditions" is not implied. Exposure to absolute-maximum-rated conditions for extended periods may affect device reliability.

RECOMMENDED OPERATING CONDITIONS

		MIN	MAX	UNIT
Supply voltage, Vcc	PVCCB, PVCCR, PVcCL, AVcc	5	15	V
High-level input voltage, VIH	SD, Gain0, Gain1	2.0		V
Low-level input voltage, VIL	SD, Gain0, Gain1		0.8	V
High-level input current, IIH	Vcc=15V, SD =15V		100	µA
	Vcc=15V, Gain0=Gain1=5V		5	
Low-level input current, IIL	Vcc=15V, SD =0V		0.5	µA
	Vcc=15V, Gain0=Gain1=0V		0.5	
Operating free-air temperature, TA		-20	85	°C

PACKAGE DISSIPATION RATINGS

PACKAGE	DERATING FACTOR	TA ≤ 25 °C POWER RATING	TA = 70 °C POWER RATING	TA = 85 °C POWER RATING
TQFP48L(FD)	33 mW/ °C	4.125W	2.64W	2.15W

DC CHARACTERISTICS

TA=25 °C, VCC=15V, RL=8Ω speaker (unless otherwise noted)

PARAMETER		TEST CONDITIONS	MIN	TYP	MAX	UNIT
VOS	Output offset voltage for right/left channel	LIN and RIN AC grounded		30		mV
VDD/AVDD	5-V Regulated output	Io=0 to 25mA, SD =High, Vcc=5V to 15V	4.5	5.0	5.5	V
HFVDD/HFVDDb	Half VDD reference output	No load		0.5x AVDD		
fosc	Oscillator frequency	Vcc=5-15V	250		350	kHz
Icc	Quiescent current (no load)	SD =High, Vcc= 12V		10	20	mA
		SD =High, Vcc= 15V		16	30	
Icc(SD)	Supply current in shutdown mode	SD =0.8V, Vcc= 12V		1		µA
		SD =0.8V, Vcc= 15V		1		
rds(on)	Drain-source on-state resistance for all output	Vcc=15V Io=1A,		High side 600 Low side 500		mΩ
Gainb	Voltage Gain of bass at Vcc=15V	Gain0=High, Gain1= High		34		
		Gain0=Low, Gain1=High		28		
		Gain0=High, Gain1= Low		22		
		Gain0=Low, Gain1= Low		18		
	Voltage Gain of bass at Vcc=12V	Gain0=High, Gain1= High		32		
		Gain0=Low, Gain1=High		26		
		Gain0=High, Gain1= Low		20		
		Gain0=Low, Gain1= Low		16		
	Voltage Gain of bass at Vcc=9v	Gain0=High, Gain1= High		30		dB
		Gain0=Low, Gain1=High		25		
		Gain0=High, Gain1= Low		19		
		Gain0=Low, Gain1= Low		14		
Gain	Voltage Gain of right and left channel at Vcc=15V	Gain0=High, Gain1= High		35		dB
		Gain0=Low, Gain1=High		29		
		Gain0=High, Gain1= Low		23		
		Gain0=Low, Gain1= Low		19		
	Voltage Gain of right and left channel at Vcc=12V	Gain0=High, Gain1= High		33		dB
		Gain0=Low, Gain1=High		27		
		Gain0=High, Gain1= Low		21		
		Gain0=Low, Gain1= Low		17		
	Voltage Gain of right and left channel at	Gain0=High, Gain1= High		31		

	V _{CC} =9V	Gain0=Low, Gain1=High	25	
		Gain0=High, Gain1=Low	19	
		Gain0=Low, Gain1=Low	15	
Z _i	Input resistance of BINN/BINP/RIN/LIN	Gain0=High, Gain1=High	15	kΩ
		Gain0=Low, Gain1=High	30	
		Gain0=High, Gain1=Low	60	
		Gain0=Low, Gain1=Low	100	

AC CHARACTERISTICS

T_A=25 °C, V_{CC}=15V, R_L=8Ω speaker (unless otherwise noted)

PARAMETER		TEST CONDITIONS	MIN	TYP	MAX	UNIT
*P _{O(max)} Continuous output power of bass (r.m.s) at 1kHz, (Power limited by thermal condition)	R _L =4Ω	15V	Maximum 16			W
		12V	10			
		9V	6.2			
	R _L =6Ω	15V	Maximum 14.5			W
		12V	9.3			
		9V	5.3			
	R _L =8Ω	15V	12.7			W
		12V	8			
		9V	4.5			
	R _L =16Ω	15V	7.6			W
		12V	4.8			
		9V	2.7			
*P _{O(max)} Continuous output power of right/left channel (r.m.s) at 1kHz (Limited by thermal condition)	R _L =4Ω	15V	Maximum 6			W
		12V	3.8			
		9V	2.1			
	R _L =6Ω	15V	4.6			W
		12V	3.0			
		9V	1.6			
	R _L =8Ω	15V	3.7			W
		12V	2.3			
		9V	1.3			
V _n	Output noise		-70			dBV
SNR	Signal-to-noise ratio	Maximum output at THD+N < 0.5%, f=1kHz		85		dB
Crosstalk	Crosstalk SE→BTL	Gain0=Gain1=high, V _{CC} =12V, P _O (SE)=2W, R _L =8Ω		-70		dB
	Thermal trip point			145		°C
	Thermal hysteresis			25		°C

For best performance, please refer to

<http://www.taimec.com.tw/English/EVM.htm> for PCB layout.

*Important notice : More copper area and vias are required for high output power especially when the total output power is higher than 15W.

DETAILED DESCRIPTION

Efficiency

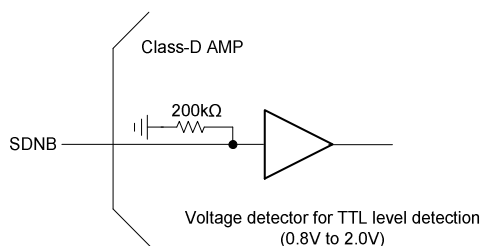
The output transistors of a class D amplifier act as switches. The power loss is mainly due to the turn on resistance of the output transistors when driving current to the load. As the turn on resistance is so small that the power loss is small and the power efficiency is high. With 8 ohm load the power efficiency can be better than 80%.

PCB layout for power dissipation

No heat sink is necessary for power dissipation. However the PCB layout should be well designed to dissipate heat for high output power. With 80% power efficiency the generated heat when driving 15 watts to the 8 ohm load is about 3.75 watts. The heat can be carried out through the thermal pad of the device to the PCB. To ensure proper dissipation of heat the PCB has to have heat path from the bottom of the device which is soldered to the PCB. The area of the metal on the PCB for heat dissipation should be big enough. It is suggested that both sides of the PCB are used for power dissipation.

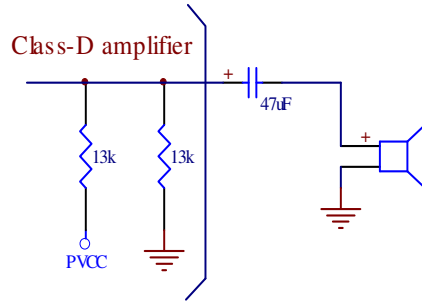
Shutdown

The shutdown mode reduces power consumption. A LOW at shutdown pin forces the device in shutdown mode and a HIGH forces the device in normal operating mode. Shutdown mode is useful for power saving when not in use. Internal circuit for shutdown is shown below.



Pop-less

A soft start capacitor can be added to the HFRC pin. This capacitor introduced delay for the circuit to be stable before driving the load. The set up time for internal circuit to be stable is quite fast, typically it is less than 100ms. Thus the pop noise caused by SDNB operation can be fixed easily. But for external circuitry the setup time depends on the component values used in the application.



For single-ended outputs or right/left channels a build-in voltage divider is to provide half Vcc to the output pin as shown in the above diagram. During power up this divider is to pre-charge output capacitor to half Vcc before output signal is enabled to drive the speaker. Since the equivalent resistance of the voltage divider is 6.5k ohms (13kohms//13kohms) and the capacitance of the output coupling capacitor is 47uF the RC constant is 0.3 seconds. This indicates that the power up delay has to be much longer than 0.3 seconds. Normally a capacitor of 10uF at HFRC pin would provide 2.2 seconds start up delay to save power up pop noise.

Above discussion assumes that the separation frequency is 500Hz and the speaker is 8 ohms. If the separation frequency is 200Hz and the speaker is 4 ohms instead then the output coupling capacitance would be changed to 200uF as calculated below.

$$f = 1 / (2 \pi \times 4 \text{ ohms} \times C) = 200 \text{ Hz}$$

$$C = 1 / (2 \pi \times 4 \text{ ohms} \times 200 \text{ Hz}) = 200 \text{ uF}$$

In this case the RC constant of the charging circuit is 6.5 k ohms x 200uF = 1.3 seconds

To save pop noise the start up delay time should be much longer than 1.3 seconds. A capacitance of 47 uF would provide 9.4 seconds delay.

For frequency separation please refer to "Band pass filter for frequency separation of bass and R/L channels".

HFRC

HFRC provides a way of soft start up delay. A half_Vcc voltage detector is integrated to detect a RC charge up. The resistor of 320k ohms of the RC circuit is also integrated in the chip but the capacitor is externally hooked up. For C=10uF the half_Vcc delay is

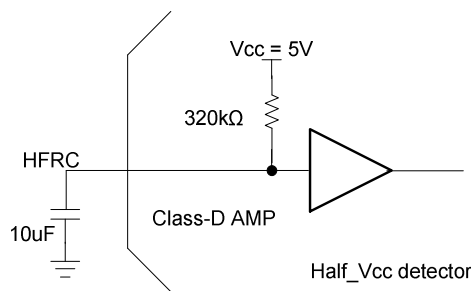
$$1 - e^{-t/RC} = 0.5$$

or

$$e^{-t/RC} = 0.5$$

that is

$$t = -RC \ln(0.5) = (320k \times 10u) (0.693) = 2.2 \text{ seconds}$$



The delay time changes linearly with capacitance at HFRC. So a 10uF capacitance will provide about 2.2 seconds delay.

Differential input VS single ended input

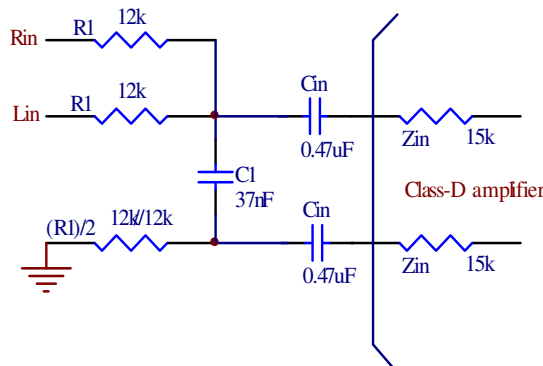
Differential input offers better noise immunity over single ended input. A differential input amplifier suppresses common noise and amplifies the difference voltage at the inputs. For single ended applications just tie the negative input end of the balanced input structure to ground. If external input resistors are used, the negative input has to be grounded with a series resistor of the same value as the positive input to reduce common noise.

Band pass filter for frequency separation of bass and R/L channels

For best sound effect the frequency of bass and R/L channels has to be separated. The bass channel amplifies the lower frequencies while the R/L channels amplify the higher frequencies. The power is saved not to drive bass speaker with high frequencies and not to drive R/L channel speakers with low frequencies. The noise level can be reduced as well. Typically the frequency boundary of bass and R/L channels is set 500 Hz and the output power of bass is set around 3~5 times of the R/L channels. Note that different applications may have different requirement for these values. Please refer to EVM documentation if the separation frequency is 200 Hz instead.

Bass channel filter

If the audio source is stereo (right channel signal and left channel signal) one can generate audio source for bass amplifier by mixing right and left signals and in the mean time filter out frequencies above 500 Hz. A typical application is shown below. Note that $Z_{in}=15k$ ohms is the internal resistance of the class-D amplifier when $gain_0=gain_1=High$.

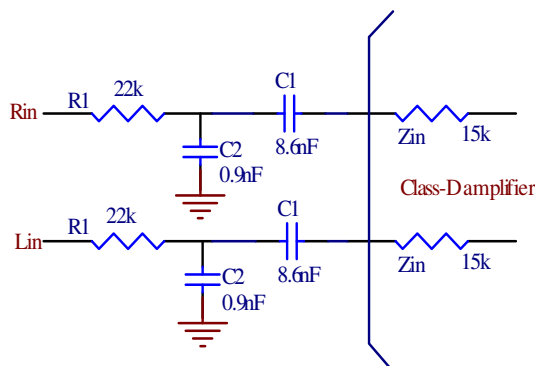


The -3db frequency at high frequency corner is $f_{-3db} = 1 / (2 \pi R C)$ where $R=2(Zin // (R1)/2)$ and $C=C1$. With specified values $f_{-3db} = 500\text{Hz}$.

The -3db frequency at low frequency corner is calculated as $f_{-3db} = 1 / (2 \pi R C)$ where $R=Zin + (R1)/2$ and $C=Cin$. With specified values $f_{-3db} = 16\text{Hz}$.

Right and Left channel filters

To block frequencies below 500Hz, a typical application is shown below.



The -3db frequency at low frequency corner is $f_{-3db} = 1 / (2 \pi R C)$ where $R=Zin + R1$ and $C=C1$. With specified values $f_{-3db} = 500\text{Hz}$.

The -3db frequency at high frequency corner is $f_{-3db} = 1 / (2 \pi R C)$ where $R=Zin // R1$ and $C=C2$. With specified values $f_{-3db} = 20\text{kHz}$.

Note that if gain0 and gain1 are set at different states the internal input resistance is changed accordingly. Please refer to DC CHARACTERISTICS for detail. As such the filters should be redesigned to meet the 500 Hz frequency boundary.

Voltage gain

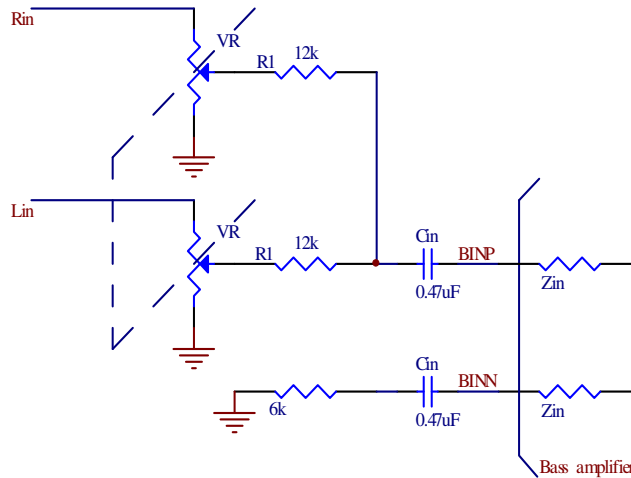
The voltage gain can be set through gain0/gain1 control or by external input resistors connecting to input pins. If external resistors are used for BINP and BINN of bass channel then these input resistors should be well matched. Well matched resistors are also required even for single ended input configuration for low noise. Suppose the external input resistors Rext are used then the voltage gain is roughly

$$A_v = 750k \text{ ohm} / (R_{ext} + 15k \text{ ohm}) \text{ for gain0=gain1=High}$$

Where 15k ohm is the internal resistance of the input pins. For other gain0/gain1 states please refer to DC CHARACTERISTICS for different input resistance.

Power ratio of bass channel and right/left channels

The output power ratio of bass to R/L channels is normally set 3~5. However different music has different stress in different frequency range. It becomes difficult to define a fix voltage gain for different applications and to maintain the requirement of bass to R/L ratio. A convenient way of controlling the ratio is to make bass adjustable relative to R/L channels. An easier way is to use VR as shown below.



Another way is to use frequency synthesizer to preset voltage gain for different frequency range for particular music content.

For simply applications an example is given below to show 3X ratio between bass output power and R/L output power.

For Vcc=15v and 8ohm load the voltage gain of the bass channel is around 32. If the power ratio is 3 then the voltage ratio is $\sqrt{3} = 1.732$ and the gain of the R/L channel is 18.5. The voltage gain of the R/L channels is roughly defined as

$(750k \text{ ohms}) / (R_i + 15k \text{ ohms})$
resulting $R_i = 25.5k \text{ ohms}$.

To meet the -3db frequency of the R/L channels which is 500Hz, the filter capacitance should be adjusted to

$$C = 1 / (2 \pi \times (25.5k + 15k \text{ ohms}) \times 500\text{Hz}) = 7.86\text{nF}.$$

For higher output power one can consider to use 4 ohm speaker for bass and 8 ohm speakers for R/L channels. Suppose the power ratio is set 5X, then the voltage ratio is $\sqrt{5/2} = 1.58$. For $V_{cc} = 15\text{v}$ and 4ohm load the voltage gain of the bass channel is around 30. Thus the gain of the R/L channel is 19.

The voltage gain of the R/L channels is defined as

$(750k \text{ ohms}) / (R_i + 15k \text{ ohms})$
resulting $R_i = 24.5k \text{ ohms}$.

To meet the -3db frequency of the R/L channels which is 500Hz, the filter capacitance should be adjusted to

$$C = 1 / (2 \pi \times (24.5 + 15k \text{ ohms}) \times 500) = 8\text{nF}.$$

Note that the formula for voltage gain varies with supply voltage and loading. But the procedure is to find out the value of R_i before the capacitance is determined.

Output coupling capacitor

The speaker of the bass channel is tied as BTL. There is no need to have an output capacitor at the output end. But for right and left channels coupling capacitors are required to block DC from the speakers. Since the right and left channels do not amplify frequencies below 500Hz the output coupling capacitance does not have to be big. One can choose the -3db frequency of the output coupling stage to be 200Hz, not too high to attenuate voltage at 500Hz, then the coupling capacitance is

$$C = 1 / (2 \pi \times 8 \text{ ohm} \times 200\text{Hz}) = 100\mu\text{F} \text{ for } 8 \text{ ohm load.}$$

or $C = 1 / (2 \pi \times 4 \text{ ohm} \times 200\text{Hz}) = 200\mu\text{F} \text{ for } 4 \text{ ohm load.}$

Input filter

In case band pass filter for frequency separation of bass and R/L channels is not used, the AC coupling capacitors are still required to block the DC voltage from the device. They also define the -3db frequency at the low frequency side.

The -3db frequency of the low frequency side is

$$f_{-3\text{db}} = 1 / (2 \pi R C)$$

where C is the AC coupling capacitance and R is the total resistance in series with C.

Note that $R = Z_{\text{in}}(\text{internal resistance}) + R_{\text{ext}}(\text{external resistance})$

Also note that the input resistance of BINN/BINP/LIN/RIN is 15K ohms at Gain0=Gain1=high.

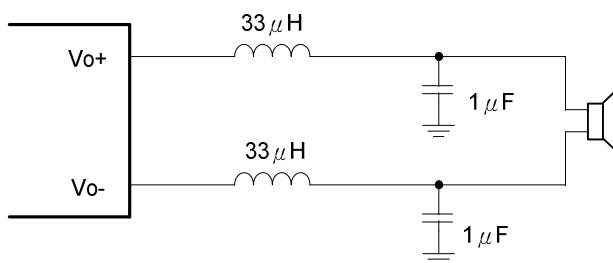
Please refer to DC CHARACTERISTICS for detail.

Output filter

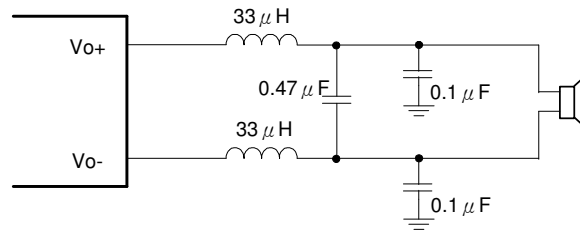
Ferrite bead filter can be used for EMI purpose. The ferrite filter reduces EMI around 1 MHz and higher (FCC and CE only test radiated emissions greater than 30 MHz). When selecting a ferrite bead, choose one with high impedance at high frequencies, but low impedance at low frequencies.

Use an LC output filter if there are low frequency ($< 1 \text{ MHz}$) EMI sensitive circuits and/or there are long wires from the amplifier to the speaker. EMI is also affected by PCB layout and the placement of the surrounding components.

For BTL output the suggested LC values for different speaker impedance are showed in following figures.

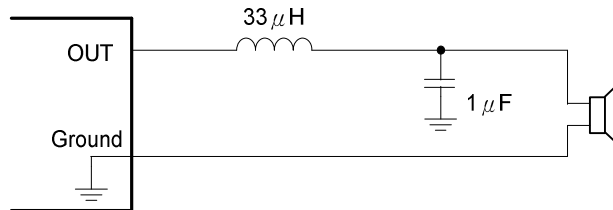


Typical LC Output Filter (1)



Typical LC Output Filter (2)

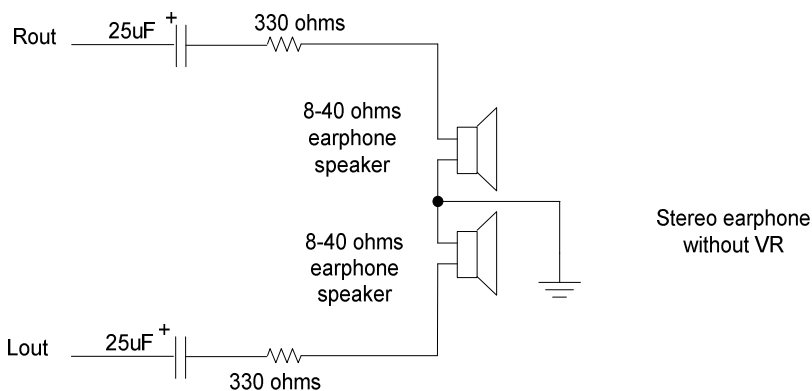
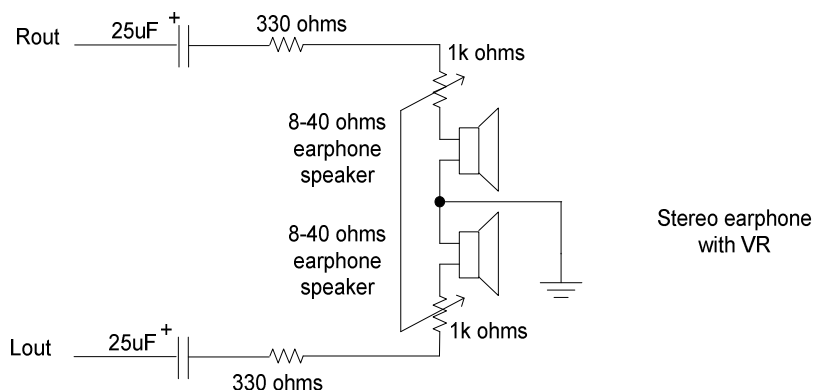
For single-ended output the suggested LC values for different speaker impedance are showed in following figures.



LC Output Filter, Speaker Impedance= 6Ω & 8Ω

EARPHONE USE

Class-D output can be used to drive earphone. However to avoid high power to overdrive earphone and to prevent human ear to accidentally be hurt by loud noise, a resistor has to be put in series with the earphone speaker. Typically a resistor of 330 ohms is adequate for this purpose.



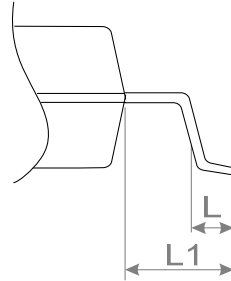
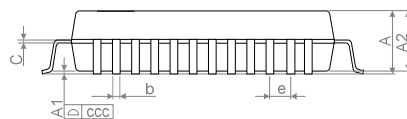
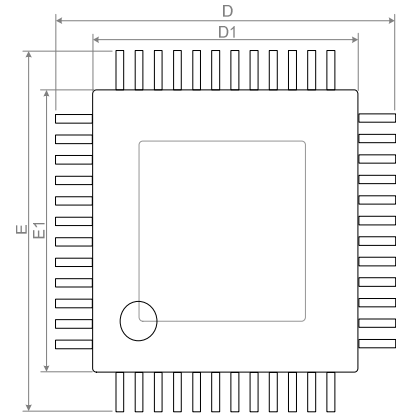
Over temperature protection

A temperature sensor is built in the device to detect the temperature inside the device. When a high temperature around 145°C and above is detected the switching output signals are disabled to protect the device from over temperature. Automatic recovery circuit enables the device to come back to normal operation when the internal temperature of the device is below around 120°C.

Over current protection

A current detection circuit is built in the device to detect the switching current of the output stages of the device. It disables the device when a pulse current beyond 8 amps is detected. It protects the device when there is an accident short between outputs or between output and ground pins. It also protects the device when abnormal low impedance is tied to the output. High current beyond the specification may potentially causes electron migration and permanently damage the device. Shutdown or power down is necessary to resolve the protection situation. Automatic recovery circuit enables the device to come back to normal operation.

Physical Dimensions (IN MILLIMETERS)



SYMBOLS	MIN.	NDM.	MAX.
A	-	-	1.15
A1	0.00	-	0.10
A2	0.95	1.00	1.05
b	0.17	0.22	0.27
C	0.09	-	0.20
D1	6.90	7.00	7.10
D	8.80	9.00	9.20
E1	6.90	7.00	7.10
E	8.80	9.00	9.20
e	-	0.50(TYP)	-
L	0.45	0.60	0.75
L1	-	1.00(REF)	-
ccc	-	-	0.08

TQFP48

IMPORTANT NOTICE

Tai-1 Microelectronics Corp. reserves the right to make changes to its products and services and to discontinue any product or service without notice. Customers should obtain the latest relevant information for reference. Testing and quality control techniques are used to screen the parameters. Testing of all parameters of each product is not necessarily performed.

Tai-1 Microelectronics Corp. assumes no liability for applications assistance or customer product design. To minimize the risks associated with customer products and applications, customers should provide adequate design and operating safeguards.

Reproduction of information in data sheets or related documentation is permissible only if reproduction is without alteration and is accompanied by all associated warranties, conditions, limitations, and notices. Tai-1 Microelectronics Corp. is not responsible or liable for such altered documentation.

Resale of Tai-1 Microelectronics Corp. products or services with statements different from the parameters stated by Tai-1 Microelectronics Corp. for that product or service voids all express and any implied warranties. Tai-1 Microelectronics Corp. is not responsible or liable for any such statements.

Copyright ©2005, Tai-1 Microelectronics Corp.