



TA7640AP

LINEAR INTEGRATED CIRCUIT

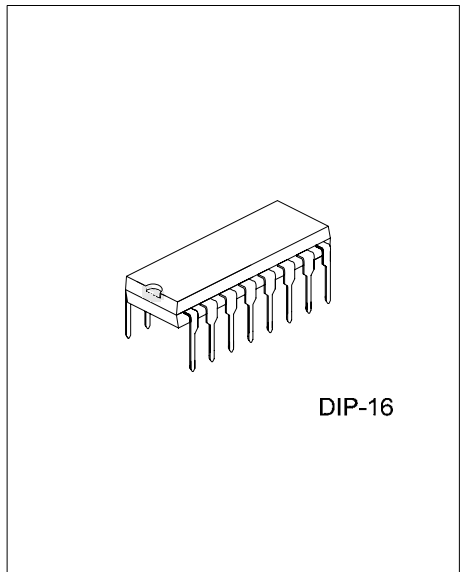
AM/FM IF PROCESSOR

DESCRIPTION

The UTC TA7640AP is a monolithic integrated circuit designed for the radios cassette tape recorder.

FEATURES

- * Low operating current
- * Low external component
- * Internal AM/FM switch
- * Wide operating voltage: $V_{CC}=3.8V$



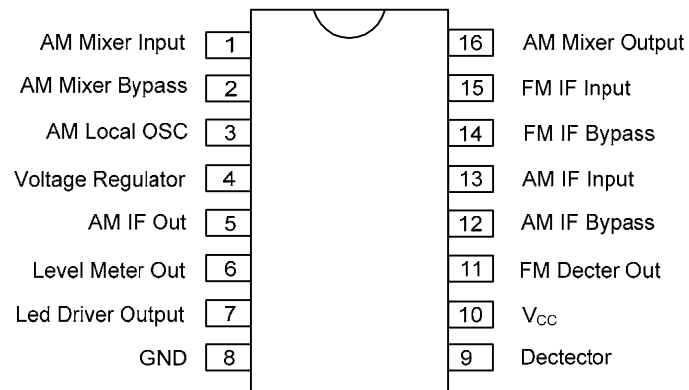
*Pb-free plating product number:TA7460APL

ORDERING INFORMATION

Ordering Number		Package	Packing
Normal	Lead Free Plating		
TA7640AP-D16-T	TA7640APL-D16-T	DIP-16	Tube

<p>TA7640APL-D16-T</p> <ul style="list-style-type: none"> (1)Packing Type (2)Package Type (3)Lead Plating 	<ul style="list-style-type: none"> (1) T: Tube (2) D16: DIP-16 (3) L: Lead Free Plating, Blank: Pb/Sn
--	--

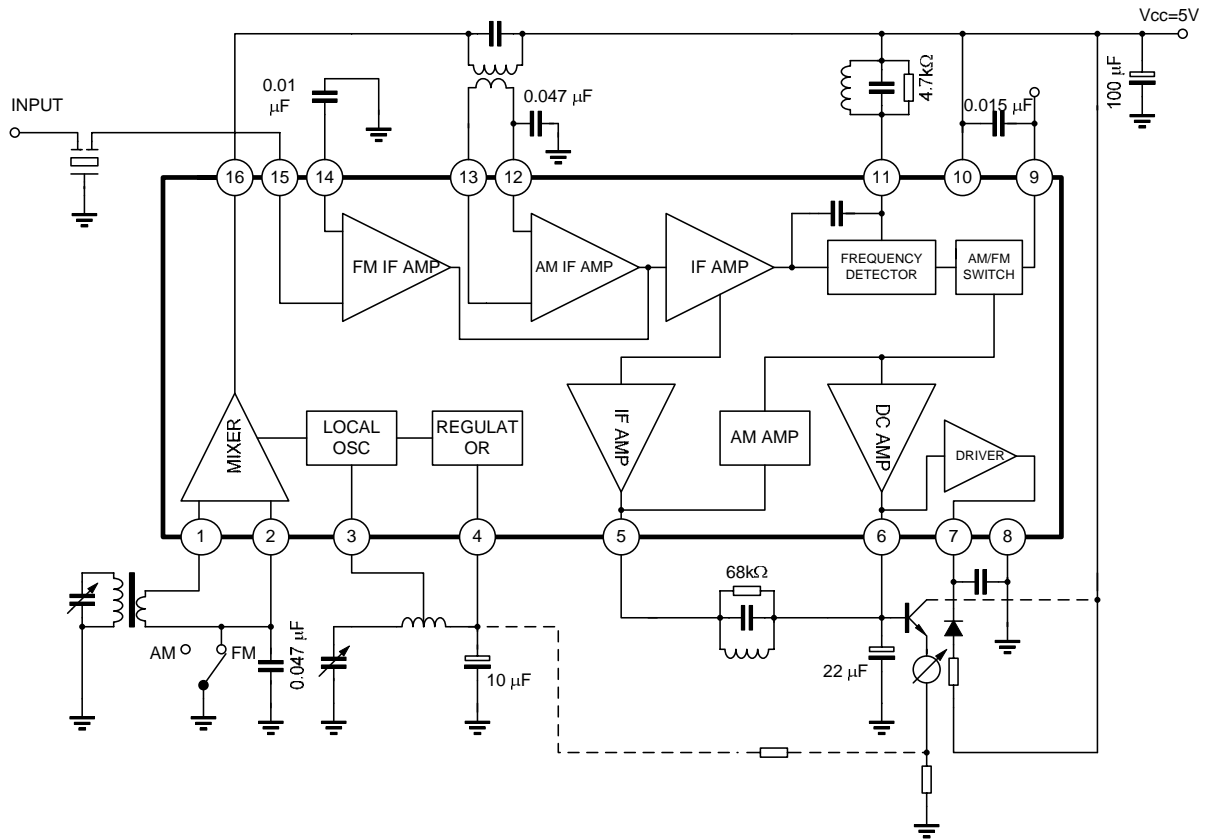
■ PIN CONFIGURATION



TA7640AP

LINEAR INTEGRATED CIRCUIT

■ BLOCK DIAGRAM



■ ABSOLUTE MAXIMUM RATINGS (Ta=25°C)

PARAMETER	SYMBOL	RATINGS	UNIT
Voltage	V _{CC}	8	V
Led Driving Current	I _{LAMP}	10	mA
Power Dissipation	P _D	750	mW
Operating Temperature	T _{OPR}	-25 ~ +75	°C
Storage Temperature	T _{STG}	-55 ~ +150	°C

Note: Absolute maximum ratings are those values beyond which the device could be permanently damaged.
Absolute maximum ratings are stress ratings only and functional device operation is not implied.

■ DC ELECTRICAL CHARACTERISTICS (V_{CC}=5V)

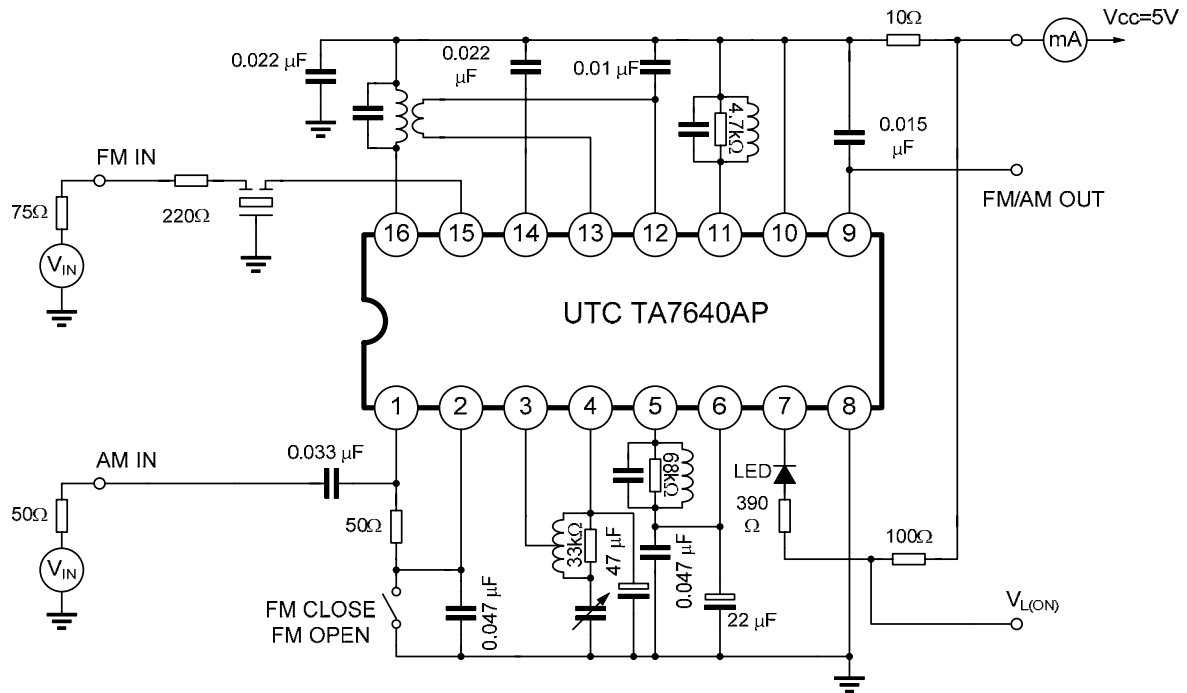
PARAMETER	SYMBOL	TYP		UNIT
		AM	FM	
Pin 1 AM Mixer Input	V1	1.5	0	V
Pin 2 AM Mixer Bypass	V2	1.5	0	V
Pin 3 AM Local OSC	V3	2.3	2.3	V
Pin 4 Voltage Regulator	V4	2.3	2.3	V
Pin 5 AM IF Out	V5	1	0.9	V
Pin 6 Level Meter Out	V6	1	0.9	V
Pin 7 Led Driver Output	V7			V
Pin 8 GND	V8	0	0	V
Pin 9 Detector	V9	1.4	1.5	V
Pin 10 Vcc	V10	5	5	V
Pin 11 FM Decter Out	V11	5	5	V
Pin 12 AM IF Bypass	V12	1.5	1.5	V
Pin 13 AM IF Input	V13	1.5	1.5	V
Pin 14 FM IF Bypass	V14	1.5	1.5	V
Pin 15 FM IF Input	V15	1.5	1.5	V
Pin 16 AM Mixer Output	V16	5	5	V

■ AC ELECTRICAL CHARACTERISTICS

(Ta=25°C, V_{CC}=5V, FM; f=10.7MHz, Δf=22.5KHz, FM=400Hz AM; f=1MHz, Mod=30%, FM=400Hz)

PARAMETER	SYMBOL	TEST CONDITIONS	MIN	TYP	MAX	UNIT
Supply Current	I _{CC(1)}	FM V _{IN} =0		10	15	mA
	I _{CC(2)}	AM V _{IN} =0		7	10	
FM						
Input Limiting Voltage	V _{IN(LIMIT)}	-3dB		40	46	dBμ
Detector Output	V _{OD(FM)}	V _{IN} =66dBμ	57	85	114	mVrms
Signal Noise Ratio	S/N	V _{IN} =80dBμ		65		dB
Total Harmonic Distortion	THD	V _{IN} =80dBμ		0.05		%
AM Rejection	AMR	V _{IN} =80dBμ		38		dBμ
Level Meter Driving Voltage	V _M	V _{IN} =100dBμ	1.6	1.75	1.9	V
Led Driving Sensitivity	V _L	I _L =1mA		46	52	dB
AM						
Gain	G _V	V _{IN} =26dBμ	20	30	60	mVrms
Detector Output Voltage	V _{OD(AM)}	V _{IN} =60dBμ	65	95	125	mVrms
Signal To Noise Ratio	S/N	V _{IN} =60dBμ		47		dB
Total Harmonic Distortion	THD	V _{IN} =60dBμ		1		%
Signal Meter Output	V _M	V _{IN} =100dBμ	1.6	1.75	1.9	V
Level Meter Driving Voltage	V _L	I _L =1mA		32		dBμ
Oscillation Stop Voltage	V _{OSC}	RDUMP=∞		1.5		V
Pin 5 Output Impedance	R09	f=1KHZ		3		KΩ

■ TEST CIRCUIT



UTC assumes no responsibility for equipment failures that result from using products at values that exceed, even momentarily, rated values (such as maximum ratings, operating condition ranges, or other parameters) listed in products specifications of any and all UTC products described or contained herein. UTC products are not designed for use in life support appliances, devices or systems where malfunction of these products can be reasonably expected to result in personal injury. Reproduction in whole or in part is prohibited without the prior written consent of the copyright owner. The information presented in this document does not form part of any quotation or contract, is believed to be accurate and reliable and may be changed without notice.