

Specifications

Insulation Resistance: 1,000MΩ min. at 500V DC
 Dielectric Withstanding Voltage: 700V AC for 1 minute
 Contact Resistance: 30mΩ max. at 10mA/20mV max.
 Current Rating: 1A max.
 Operating Temperature Range: -40°C to +170°C
 (-40°C to +150°C for -004 type)
 Mating Cycles: 10,000 insertions min.
 Contact Force: 20g min. per pin at minimum displacement of 0.3mm
 80g max. per pin at maximum displacement of 0.7mm

Materials and Finish

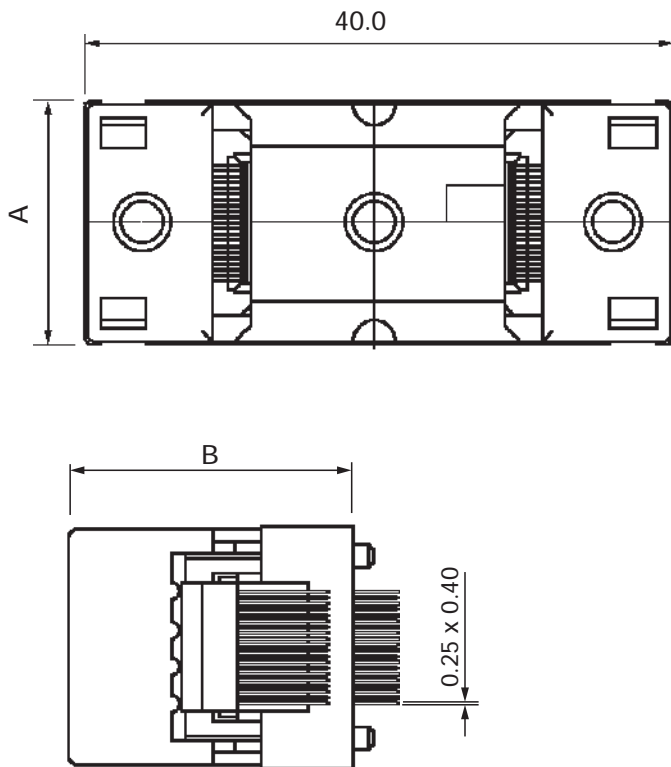
Housing: Polyetherimide (PEI), glass-filled
 Contacts: Beryllium Copper (BeCu)
 Plating: Gold over Nickel

Features

- Open Top low actuation force socket

Applicable Dimensions (Reference Only)

Outline Socket Dimensions



Part Number (Details)

IC191 - 032 2 - 001 * - *

Series No.

No. of Contact Pins

Number of Sides with Contacts

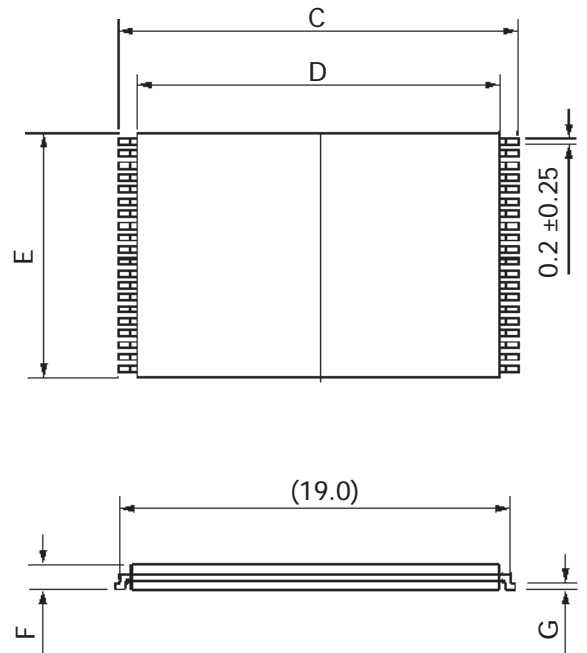
Design Number

Positioning Pin:
 N = Without Positioning Pin
 Unmarked = With Positioning Pin

Protection Key*
 K = With Protection Key
 Unmarked = Without Protection Key

*Protection Key: Prevents IC from releasing during transportation

Outline IC Dimensions



Part Number	Pin Count	Pitch	Socket Dim.		IC Dimensions				
			A	B	C	D	E	F	G
IC191-0322-001 * - *	32	0.5	16.0	19.00	19.8 ~ 20.2	18.3 ~ 18.5	8.2 max.	1.27	0.15
IC191-0402-002 * - *	40	0.5	18.0	19.00	19.8 ~ 20.2	18.3 ~ 18.5	10.2 max.	1.27	0.125
IC191-0482-004 * - *	48	0.5	20.0	19.20	19.9 ~ 20.1	18.35 ~ 18.45	12.3 max.	1.20 max.	0.157
IC191-0562-003 *	56	0.5	21.85	19.20	19.8 ~ 20.2	18.35 ~ 18.45	14.05 max.	1.19 max.	0.127

IC191 Series (Open Top)

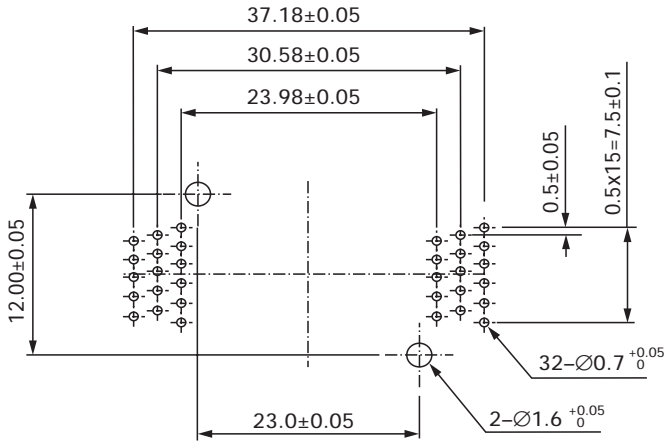
Thin Small Outline Package (TSOP - Type I)

Recommended PCB Layouts (32 to 56 pins)

Top view from socket

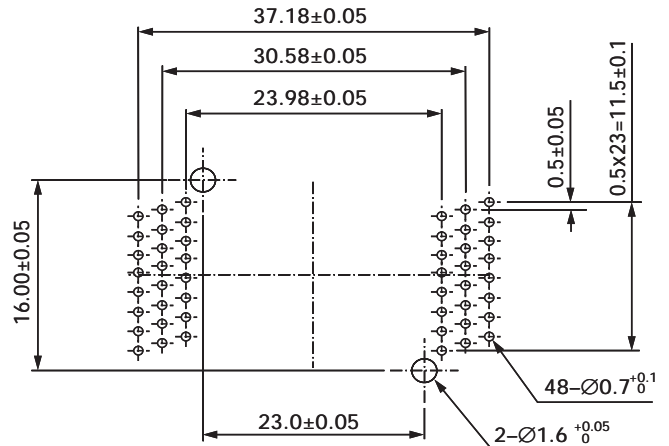
32 pins (TSOP I)

IC191-0322-001



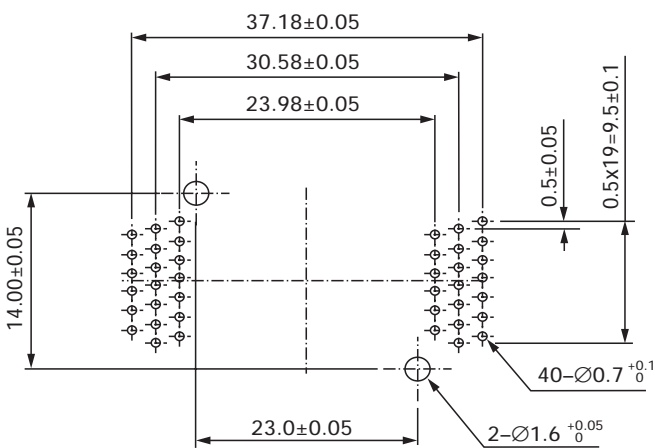
48 pins (TSOP I)

IC191-0482-004



40 pins (TSOP I)

IC191-0402-002



56 pins (TSOP I)

IC191-0562-003

