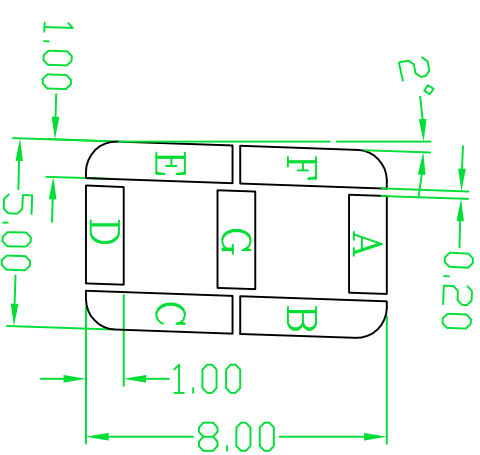
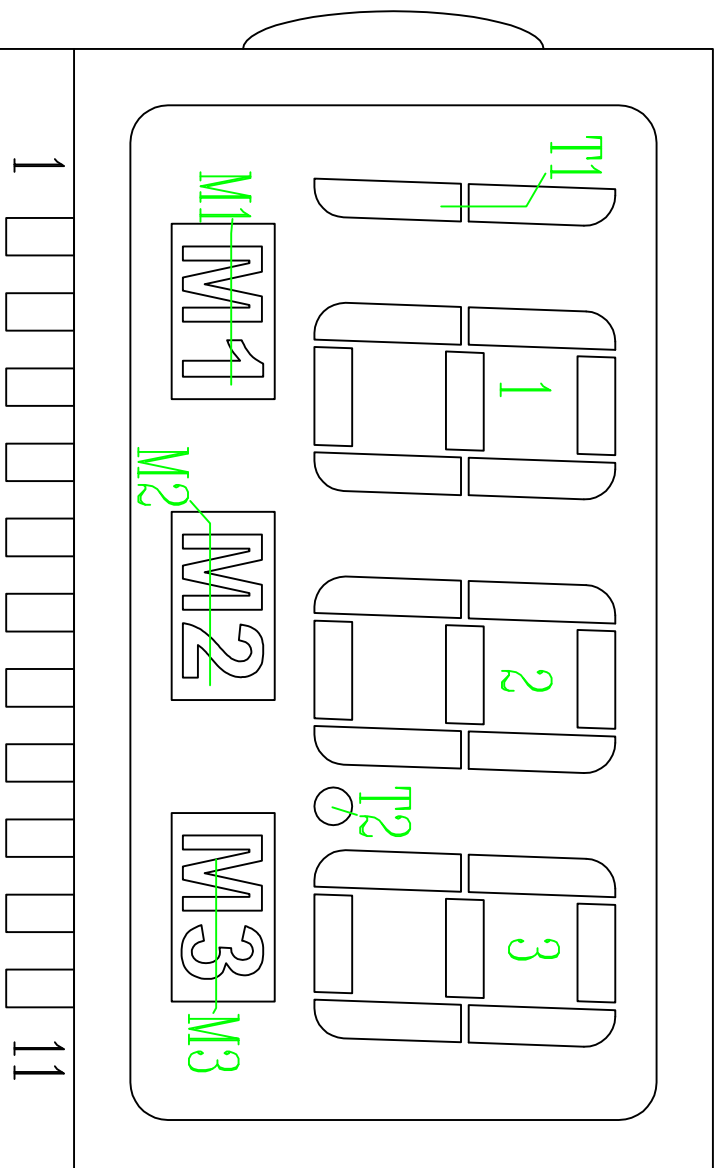


- 1. DISPLAY TYPE VA, POSITIVE
- 2. VIEWING DIRECTION 6 O'CLOCK
- 3. OPERATING VOLTAGE 3.0 V
- 4. POLARIZER MODE: TRANSMISSIVE
- 5. DRIVE METHOD 1/4DUTY 1/2BIAS
- 6. OPERATING TEMP 0°C ~ 50°C
- 7. STORAGE TEMP -10°C ~ 60°C
- 8. CONNECTOR PIN

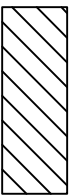
CUSTOMER P/N:		MODEL: RT623289	
DRAWN BY: CXT 2015-08-04		UNITS: mm	
CHECKED BY: HWC 2015-08-04		SHEET: 1/4	
DIMENSION TOLERANCE :		±0.2 mm	
		REVISION : 0	



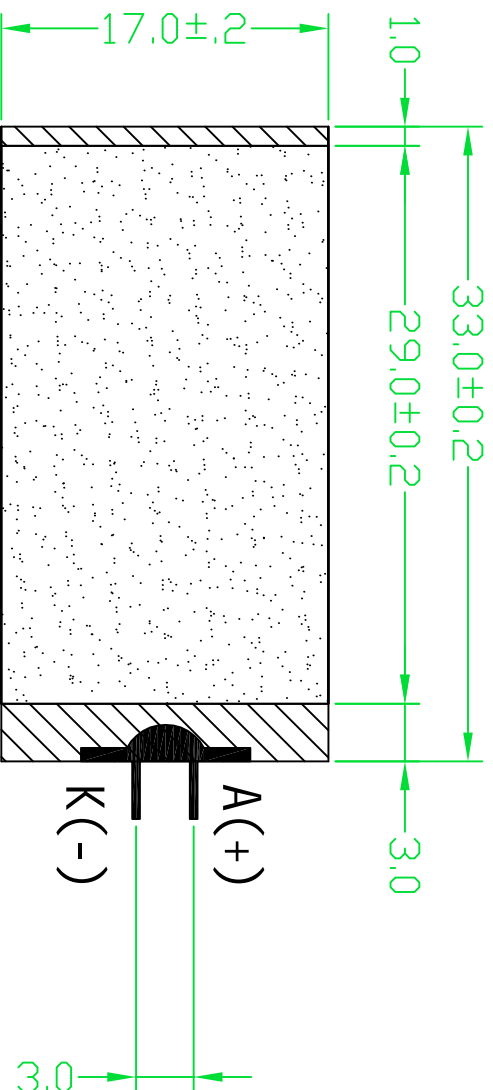
	1	2	3	4	5	6	7	8	9	10	11
COM1	COM1					1A	1B	2A	2B	3A	3B
COM2		COM2				1F	1G	2F	2G	3F	3G
COM3			COM3			1E	1C	2E	2C	3E	3C
COM4				COM4	M1	1D	M2	2D	T2	3D	M3

CUSTOMER P/N:		MODEL: RT623289	
DRAWN BY: CXT 2015-08-04		UNITS: mm	
CHECKED BY: HWC 2015-08-04		SHEET: 2/4	
DIMENSION TOLERANCE : ±0.2 mm		REVISION : 0	

遮光区

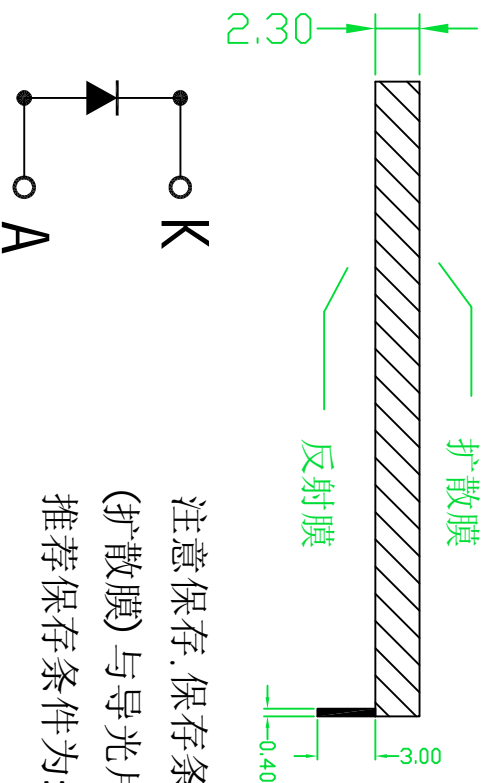


发光区



说明:

1. 1个直插LED
2. 白色灯
3. 驱动电压: 3.0V-3.2V
4. 电流: 15mA
5. 出光均匀性: $\geq 70\%$
6. 工作温度: -20°C 至 $+70^{\circ}\text{C}$
7. 储存温度: -25°C 至 $+75^{\circ}\text{C}$
8. 未标注尺寸公差为 $\pm 0.30\text{mm}$
9. 符合ROHS工艺



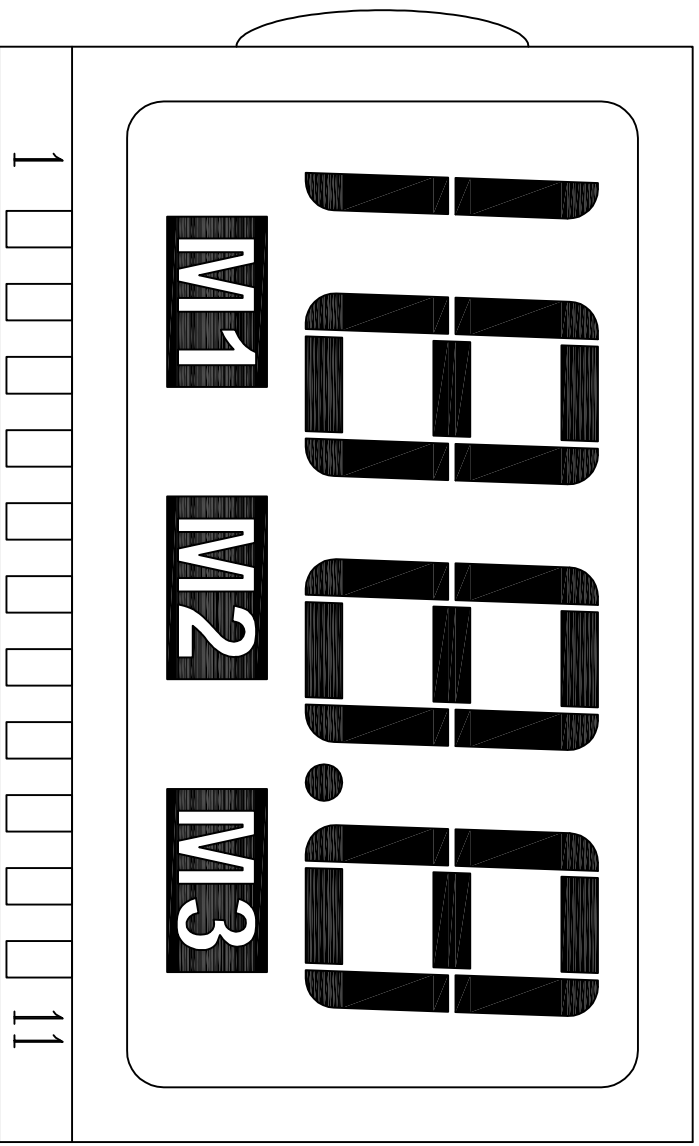
注意保存. 保存条件不好时, 会降低反光膜

(扩散膜) 与导光片(反射壳)的粘附力

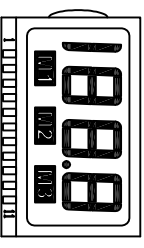
推荐保存条件为: 温度 $25^{\circ}\text{C} \pm 10^{\circ}\text{C}$

湿度 $65\%RH \pm 20\%RH$

CUSTOMER P/N:		MODEL: RT623289	
DRAWN BY: CXT 2015-08-04		UNITS: mm	
CHECKED BY: HWC 2015-08-04		SHEET: 3/4	
DIMENSION TOLERANCE: $\pm 0.2\text{ mm}$		REVISION: 0	



5:1



1:1

CUSTOMER P/N:		MODEL: RT623289	
DRAWN BY: CXT 2015-08-04		UNITS: mm	
CHECKED BY: HWC 2015-08-04		SHEET: 4/4	
DIMENSION TOLERANCE :		REVISION : 0	
		±0.2 mm	