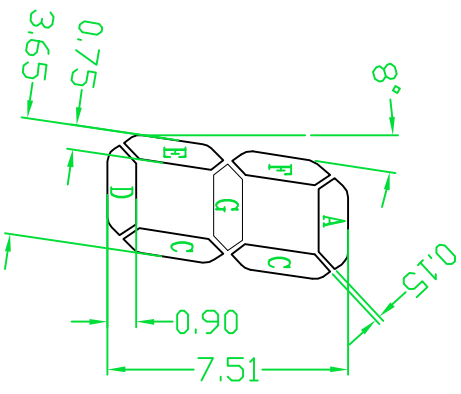
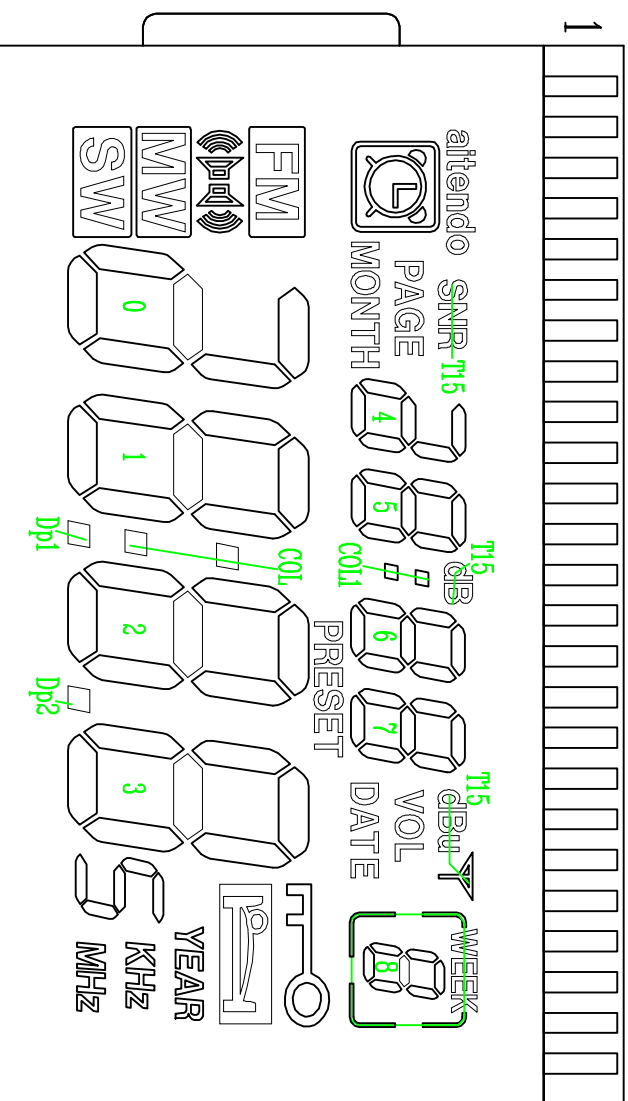


- | | |
|----------------------|-----------------|
| 1. DISPLAY TYPE | TN, POSITIVE |
| 2. VIEWING DIRECTION | 6 O'CLOCK |
| 3. OPERATING VOLTAGE | 3.0 V |
| 4. POLARIZER MODE: | REFLECTIVE |
| 5. DRIVE METHOD | 1/4DUTY 1/3BIAS |
| 6. OPERATING TEMP | 0°C ~ 50°C |
| 7. STORAGE TEMP | -10°C ~ 60°C |
| 8. CONNECTOR | PIN |

1

25



1	2	3	4	5	6	7	8	9	10	11	12	13
COM1	COM1			OADEG	1A	1F	4DAEG	5F	5A	6F	6A	7F
COM2	COM2			OB	1B	1G	4B	5G	5B	6G	6B	7G
COM3		COM3		OC	1C	1E	4C	5E	5C	6E	6C	7E
COM4			COM4	COL	1D		T15	PAGE	5D	COL1	6D	MONTH DATE

14	15	16	17	18	19	20	21	22	23	24	25
COM1	7A VOL	8F	8A	aitendo		SW	YEAR	3A	3F	2A	2F
COM2	7B WEEK	8G	8B			MW	KHz	3B	3G	2B	2G
COM3	7C PRESET	8E	8C			FM	MHz	3C	3E	2C	2E
COM4	7D	8D				5		3D	DP2	2D	DP1

1

atendo SNR 38:88 dB

PAGE MONTH 38:88 PRESET

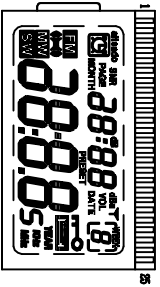
FM 38:88 VOL DATE

MW SW 38:88 YEAR KHZ MHZ

WEEK 8

25

5:1



1:1