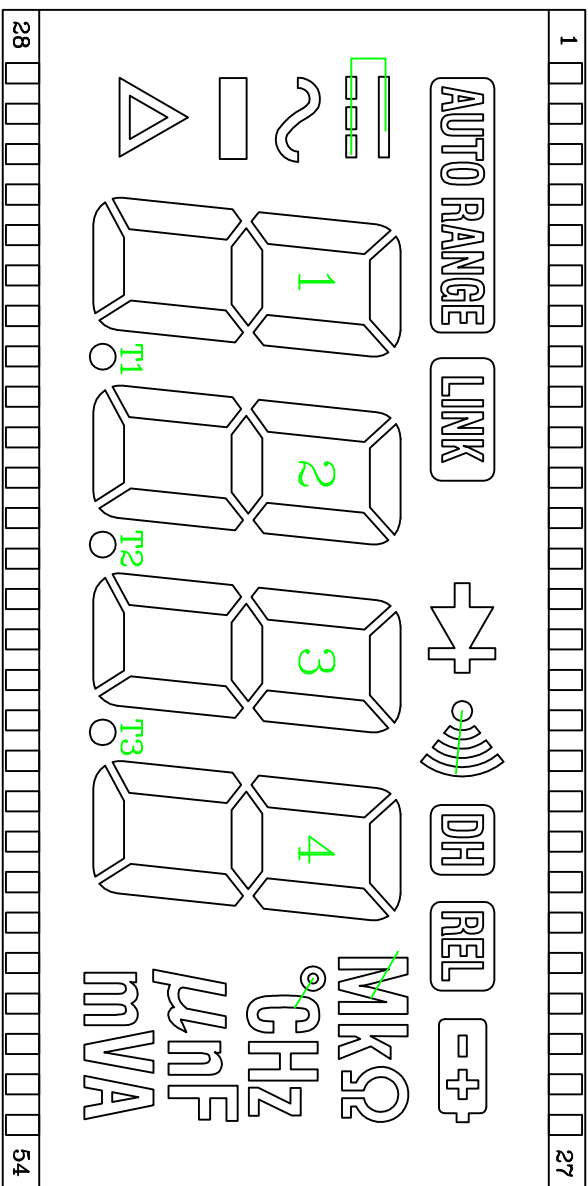


**NOTES:**

1. DISPLAY TYPE: TN
2. VIEWING DIRECTION: 6 O'CLOCK.
3. DRIVE METHOD: 1/1DUTY, 1/1BIAS.
4. OPERATING VOLTAGE: 3.0V.
5. POLARIZER MODE: REFLECTIVE/POSITIVE
6. OPERATING TEMP: 0°C ~ +50°C.
7. STORAGE TEMP: -10°C ~ +60°C.
8. CONNECTOR: PIN

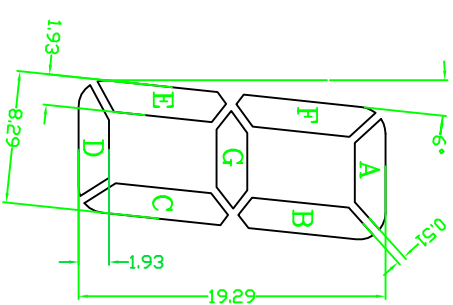
CUSTOMER P/N:		MODEL: RT623676	
DRAWN BY: CXT 2017-05-03		UNITS: mm	
CHECKED BY: HWC 2017-05-03		SHEET: 1/4	
DIMENSION TOLERANCE :		REVISION : 0	
		±0.2 mm	



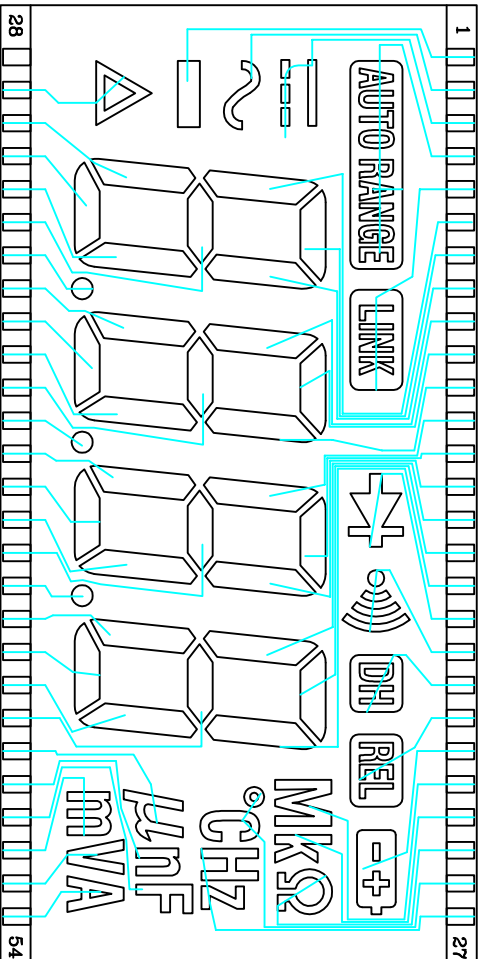
1	2	3	4	5	6	7	8	9	10	11	12	13	14	15	16	17	18
COM	~	≡	AUTO RANGE	LINK	1F	1A	1B	2F	2A	2B	3F	3A	3B	4F	4A	4B	↔

19	20	21	22	23	24	25	26	27	28	29	30	31	32	33	34	35	36
COM	DH	REL	↔	M	k	Ω	GHz	Hz	COM	△	1E	1D	1C	1G	T1	2E	2D

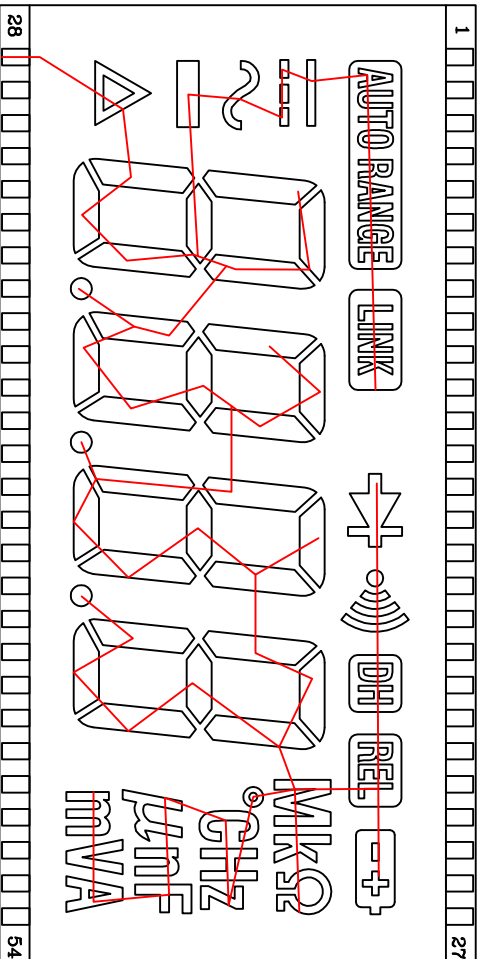
37	38	39	40	41	42	43	44	45	46	47	48	49	50	51	52	53	54	
COM	2C	2G	T2	3E	3D	3C	3G	T3	4E	4D	4C	4G	U	N	F	M	V	A



CUSTOMER P/N: _____		MODEL: RT623676	
DRAWN BY: CXT 2017-05-03		UNITS: mm	
CHECKED BY: HWC 2017-05-03		SHEET: 2/4	
DIMENSION TOLERANCE : _____		REVISION : 0	

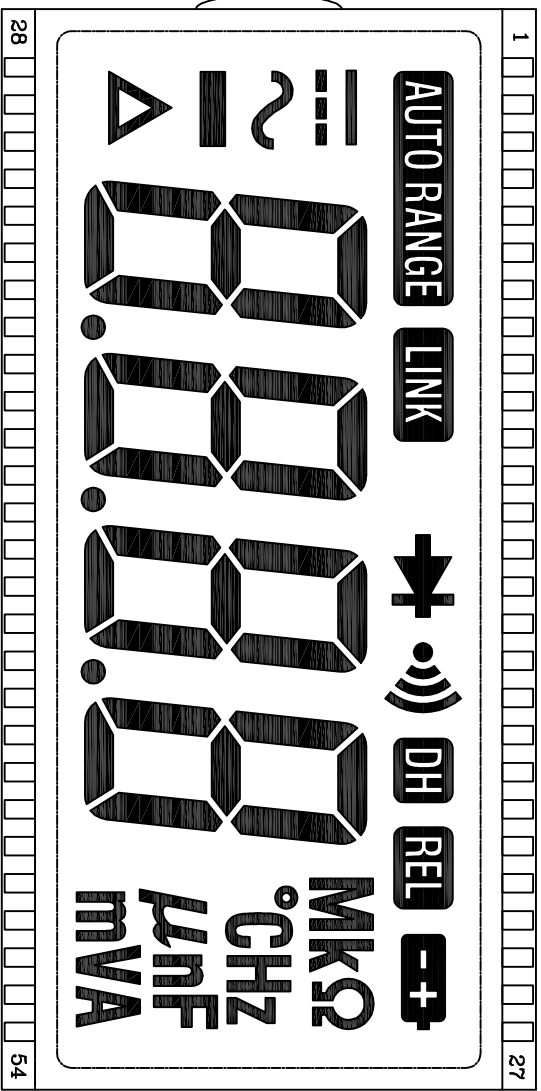


See

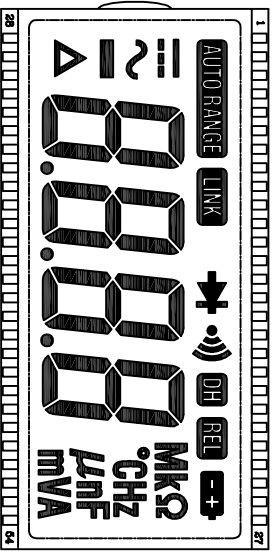


COM

CUSTOMER P/N:		MODEL: RT623676	
DRAWN BY: CXT 2017-05-03			
CHECKED BY: HWC 2017-05-03			
DIMENSION TOLERANCE :		±0.2 mm	SHEET: 3/4
			REVISION : 0



2 : 1



1 : 1

CUSTOMER P/N:		MODEL: RT623676	
DRAWN BY: CXT 2017-05-03		UNITS: mm	
CHECKED BY: HWC 2017-05-03		SHEET: 4/4	
DIMENSION TOLERANCE :		REVISION : 0	
		±0.2 mm	