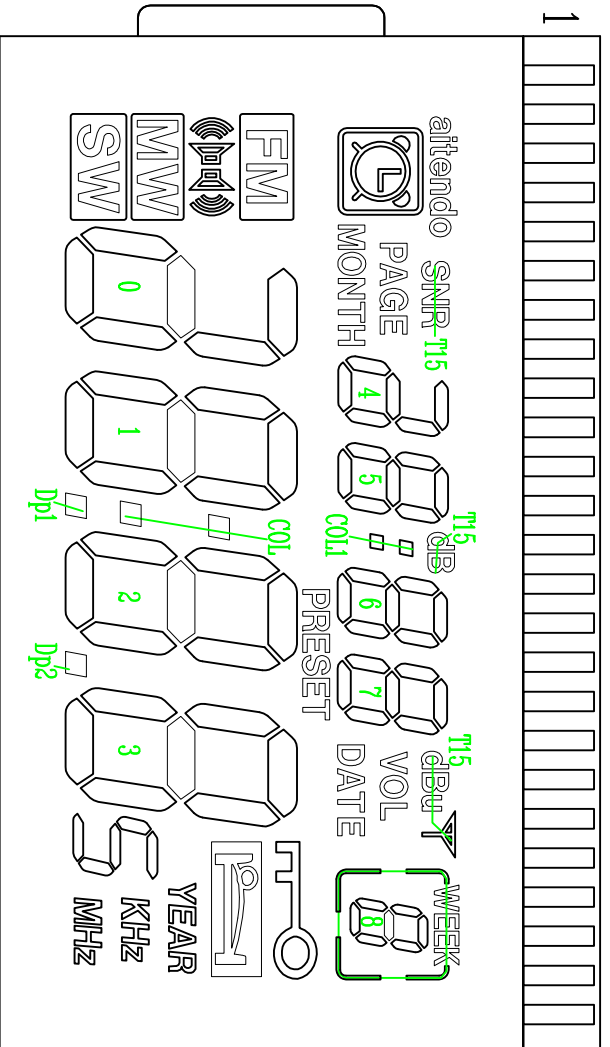
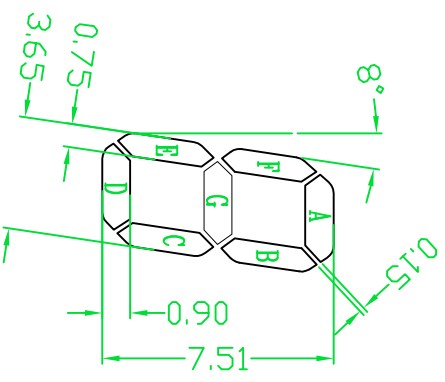


1. DISPLAY TYPE TN, POSITIVE
2. VIEWING DIRECTION 6 O'CLOCK
3. OPERATING VOLTAGE 3.0 V
4. POLARIZER MODE: REFLECTIVE
5. DRIVE METHOD 1/4DUTY 1/3BIAS
6. OPERATING TEMP -20°C ~ 70°C
7. STORAGE TEMP -30°C ~ 80°C
8. CONNECTOR PIN

CUSTOMER P/N:		MODEL: RT625207	
DRAWN BY: CXT 2019-07-20		UNITS: mm	
CHECKED BY: HWC 2019-07-20		SHEET: 1/3	
DIMENSION TOLERANCE :		REVISION : 0	



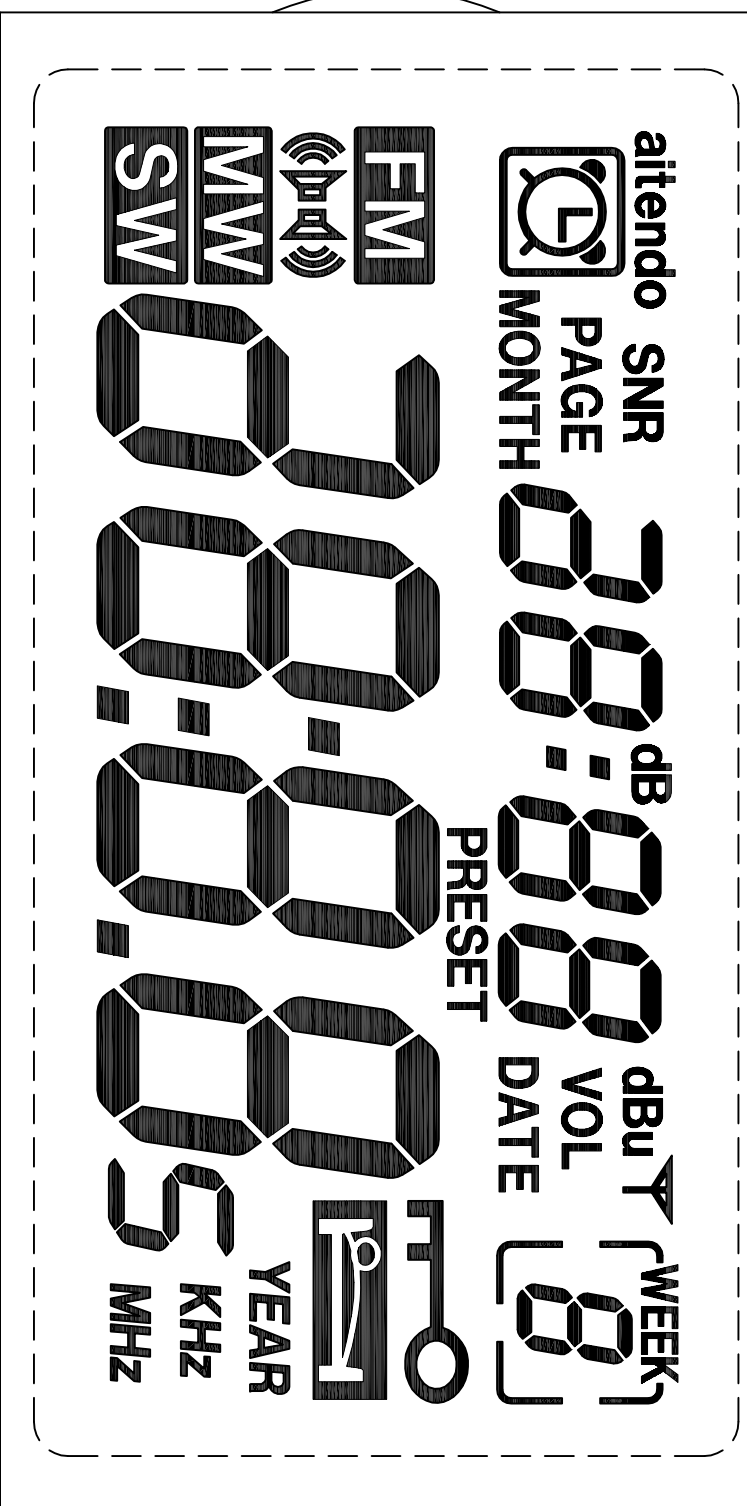
COM1	COM1	COM2	COM3	COM4	COL	1D	T15	PAGE	5D	COL1	6D	MONTH DATE
1	2	3	4	5	6	7	8	9	10	11	12	13
COM1				0ADEG	1A	1F	4DAEG	5F	5A	6F	6A	7F
COM2				0B	1B	1G	4B	5G	5B	6G	6B	7G
COM3				0C	1C	1E	4C	5E	5C	6E	6C	7E
COM4				0D	1D							



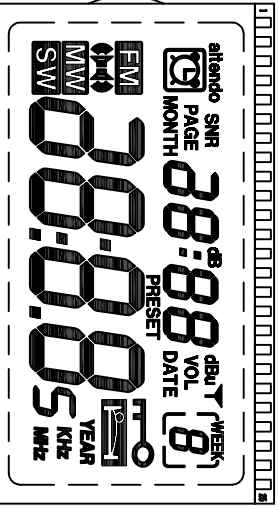
COM1	14	15	16	17	18	19	20	21	22	23	24	25
COM1	7A	VOL	8F	8A	al tendo		SW	YEAR	3A	3F	2A	2F
COM2	7B	WEEK	8G	8B			MW	KHZ	3B	3G	2B	2G
COM3	7C	PRESET	8E	8C			FM	MHZ	3C	3E	2C	2E
COM4	7D								3D	DP2	2D	DP1

CUSTOMER P/N:		MODEL: RT625207	
DRAWN BY: CXT 2019-07-20		UNITS: mm	
CHECKED BY: HWC 2019-07-20		SHEET: 2/3	
DIMENSION TOLERANCE: ±0.2 mm		REVISION: 0	

1 25



3:1



1:1

CUSTOMER P/N:		MODEL: RT625207	
DRAWN BY: CXT 2019-07-20		UNITS: mm	
CHECKED BY: HWC 2019-07-20		SHEET: 3/3	
DIMENSION TOLERANCE :		REVISION : 0	
		±0.2 mm	