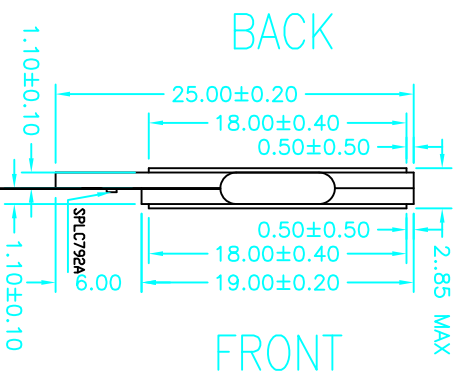
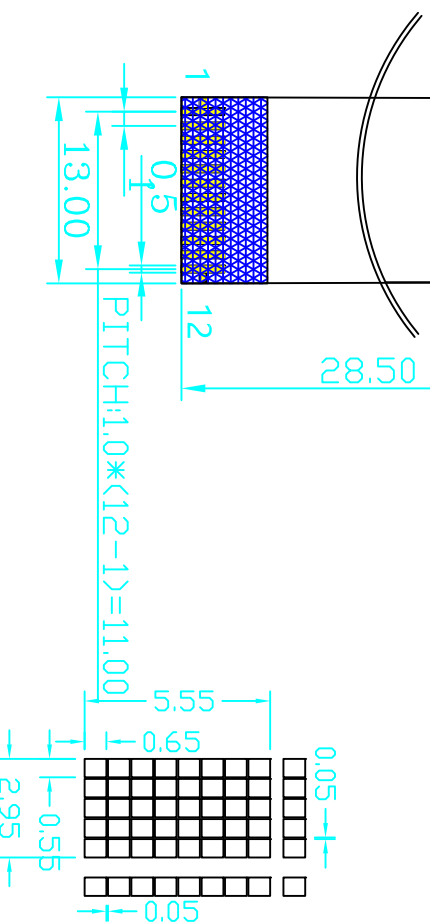
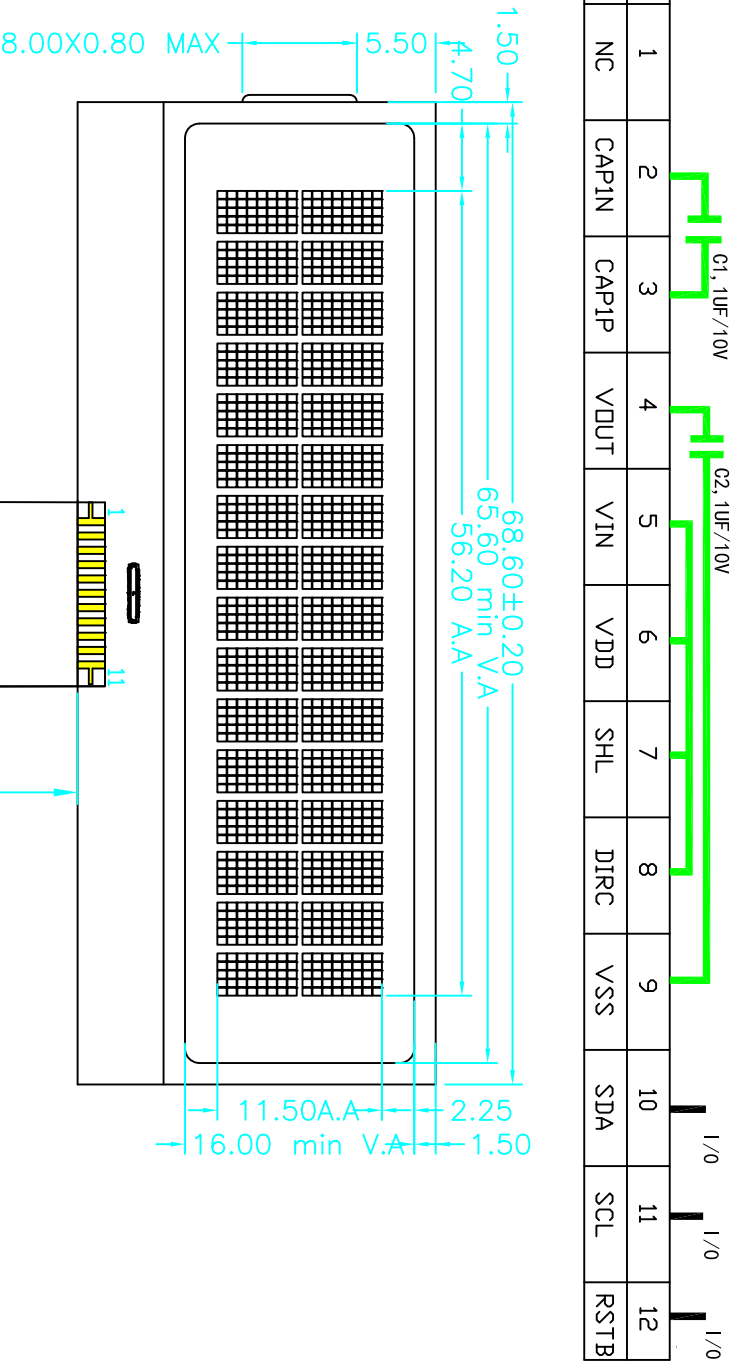


PIN NO.	1	2	3	4	5	6	7	8	9	10	11	12
SYMBOL	NC	CAP1N	CAP1P	VDUT	VIN	VDD	SHL	DIRC	VSS	SDA	SCL	RSTB



DISPLAY TYPE: FSTN/NEGATIVE
 POLARIZER: TRANSMISSIVE
 VIEWING DIRECTION: 12:00-CLOCK
 DRIVE METHOD: 1/16DUTY,1/4BIAS (样品)
 OPERATING VOLTAGE: 5.6V
 OPERATING TEMP: -10 TO 60 Deg.C
 STORAGE TEMP: -20 TO 70 Deg.C
 CONNECTOR: SPLC792+CDG
 UNSIGNED TOLERANCE: ±0.20

客户名称:	
NO.	MODIFY
0	
DATE	DATE
2017-06-08	

MODEL NO.:		PROJECTION	
MB1602F-GN68*25FS12P130FD		PID	
TEL.: 0755-27790735 FAX.: 0755-61351527		1:1	
DWN:	LQL	REV NO.:	0
CHK:	WZQ	GENERAL TOL.:	±0.2
APP:	LB	CUSTOMER NO.:	0
DATE: 2017-6-9		SHEET: 1 OF 1	

由Autodesk 教育版产品制作