

PRELIMINARY

# THC63LVDM83A/THC63LVDF84A

## 85MHz LVDS 24 Bit COLOR HOST-LCD PANEL INTERFACE

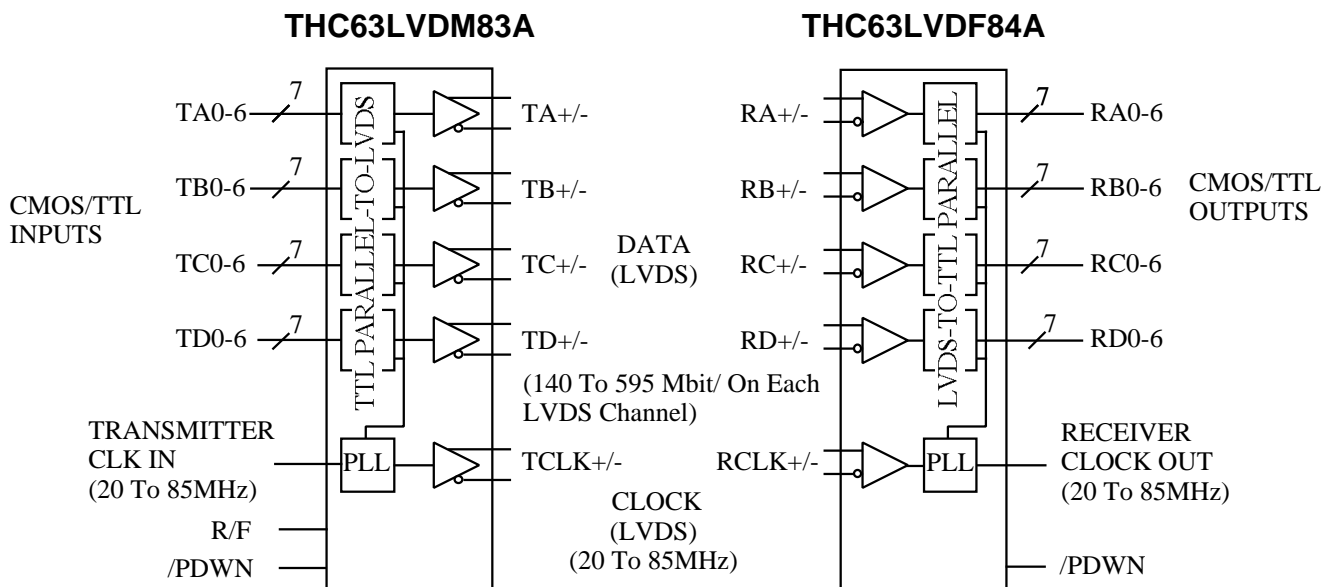
### General Description

The THC63LVDM83A transmitter converts 28 bits of CMOS/TTL data into LVDS(Low Voltage Differential Signaling) data stream. A phase-locked transmit clock is transmitted in parallel with the data streams over a fifth LVDS link. The THC63LVDM83A can be programmed for rising edge or falling edge clocks through a dedicated pin.

The THC63LVDF84A receiver convert the LVDS data streams back into 28 bits of CMOS/TTL data with falling edge clock. At a transmit clock frequency of 85MHz, 24 bits of RGB data and 4 bits of LCD timing and control data (HSYNC, VSYNC, CNTL1, CNTL2) are transmitted at a rate of 595 Mbps per LVDS data channel.

### Features

- 28:4 Data channel compression at up to 298 Megabytes per sec throughput
- Wide Frequency Range: 20 - 85MHz suited for VGA,SVGA,XGA and SXGA
- Narrow bus (10 lines) reduces cable size
- 345mV swing LVDS devices for Low EMI
- Supports Spread Spectrum Clock Generator
- On chip Input Jitter Filtering
- PLL requires No External Components
- Single 3.3V supply with 125mW(TYP)
- Low Power CMOS Design
- Power-Down Mode
- Low profile 56 Lead TSSOP Package
- Clock Edge Programmable for Transmitter
- Improved Replacement for the National DS90C383/384



### OPTIONS

CLOCK TRIGGERING	TRANSMITTER DEVICE	RECEIVER DEVICE
Falling Edge	<b>THC63LVDM83A(R/F pin=GND)</b>	<b>THC63LVDF84A</b>
Rising Edge	<b>THC63LVDM83A(R/F pin=Vcc)</b>	----

# PIN OUT

## TRANSMITTER DEVICE THC63LVDM83A

VCC	1	56	TA4
TD1	2	55	TA3
TA5	3	54	TA2
TA6	4	53	GND
GND	5	52	TA1
TB0	6	51	TA0
TB1	7	50	TD0
TD2	8	49	LVDS GND
VCC	9	48	TA-
TD3	10	47	TA+
TB2	11	46	TB-
TB3	12	45	TB+
GND	13	44	LVDS VCC
TB4	14	43	LVDS GND
TB5	15	42	TC-
TD4	16	41	TC+
R/F	17	40	TCLK-
TD5	18	39	TCLK+
TB6	19	38	TD-
TC0	20	37	TD+
GND	21	36	LVDS GND
TC1	22	35	PLL GND
TC2	23	34	PLL VCC
TC3	24	33	PLL GND
TD6	25	32	/PDWN
VCC	26	31	CLK IN
TC4	27	30	TC6
TC5	28	29	GND

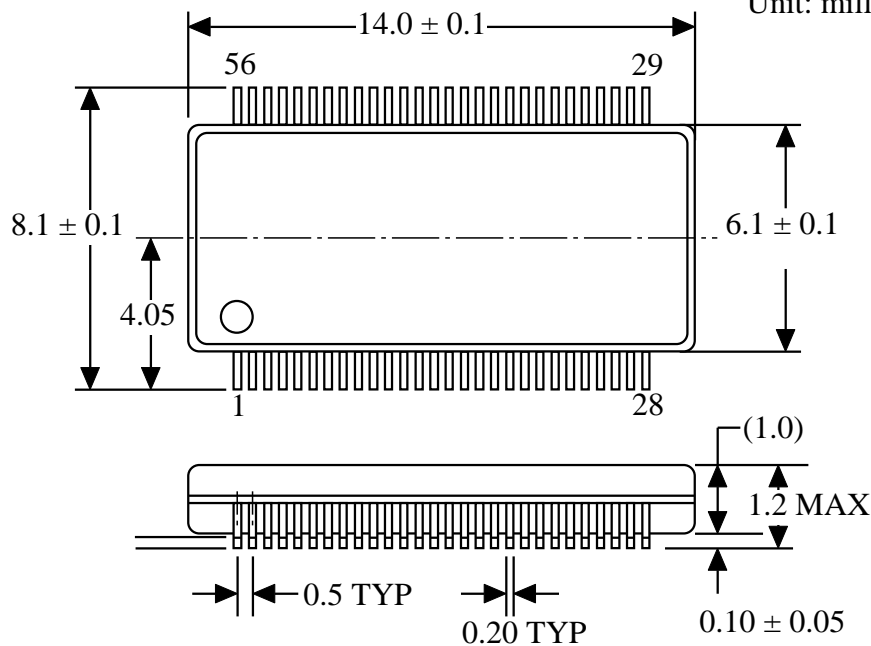
## RECEIVER DEVICE THC63LVDF84A

RC3	1	56	VCC
RD6	2	55	RC2
RC4	3	54	RC1
GND	4	53	RC0
RC5	5	52	GND
RC6	6	51	RB6
RD0	7	50	RD5
LVDS GND	8	49	RD4
RA-	9	48	VCC
RA+	10	47	RB5
RB-	11	46	RB4
RB+	12	45	RB3
LVDS VCC	13	44	GND
LVDS GND	14	43	RB2
RC-	15	42	RD3
RC+	16	41	RD2
RCLK-	17	40	VCC
RCLK+	18	39	RB1
RD-	19	38	RB0
RD+	20	37	RA6
LVDS GND	21	36	GND
PLL GND	22	35	RA5
PLL VCC	23	34	RD1
PLL GND	24	33	RA4
/PDWN	25	32	RA3
CLKOUT	26	31	VCC
RA0	27	30	RA2
GND	28	29	RA1

# PACKAGE

56 Lead Molded Thin Shrink Small Outline Package, JEDEC

Unit: millimeters



## Electrical Characteristics

$V_{CC} = 3.0 - 3.6V$ ,  $T_a = -10 - +70^\circ C$

SYMBOL	PARAMETER	CONDITIONS	MIN	TYP	MAX	UNITS
--------	-----------	------------	-----	-----	-----	-------

### CMOS/TTL DC SPECIFICATIONS

$V_{IH}$	High Level Input Voltage		2.0		$V_{CC}$	V
$V_{IL}$	Low Level Input Voltage		GND		0.8	V
$V_{OH}$	High Level output Voltage	$I_{OH}=-4mA$	2.4			V
$V_{OL}$	Low Level Output Voltage	$I_{OL}=4mA$			0.4	V
$I_{IN}$	Input Current	$0V \leq V_{IN} \leq V_{CC}$			$\pm 10$	$\mu A$
$I_{PD}$	Pull Down Current	R/F pin, $V_{IH}=V_{CC}$			100	$\mu A$
$I_{OS}$	Output Short Circuit Current	$V_{OUT}=0V$			-50	mA

### LVDS DRIVER DC SPECIFICATIONS

$V_{OD}$	Differential Output Voltage	RL=100	250	350	450	mV
$V_{OD}$	Change in VOD between Complimentary Output States				35	mV
$V_{OC}$	Common Mode Voltage		1.125	1.25	1.375	V
$V_{OC}$	Change in VOC between Complimentary Output States				35	mV
$I_{OS}$	Output Short Circuit Current	$V_{OUT}=0V, RL=100$			-24	mA
$I_{OZ}$	Output TRI-STATE Current	/PDWN=0V, $V_{OUT}=0V$ to $V_{CC}$			$\pm 10$	$\mu A$

### LVDS RECEIVER DC SPECIFICATIONS

$V_{TH}$	Differential Input High Threshold	$V_{OC}=+1.2V$			+100	mV
$V_{TL}$	Differential Input low Threshold		-100			mV
$I_{IN}$	Input Current	$V_{IN}=+2.4V/ 0V$ $V_{CC}=3.6V$			$\pm 10$	$\mu A$

### Absolute Maximum Ratings (Note 1)

Supply Voltage ( $V_{CC}$ )	-0.3 to +4V
CMOS/TTL Input Voltage	-0.3V to ( $V_{CC} + 0.3V$ )
CMOS/TTL Output Voltage	-0.3V to ( $V_{CC} + 0.3V$ )
LVDS Receiver Input Voltage	-0.3V to ( $V_{CC} + 0.3V$ )
LVDS Driver Output Voltage	-0.3V to ( $V_{CC} + 0.3V$ )
Output Short Circuit Duration	continuous
Junction Temperature	+150°C
Storage Temperature Range	-65°C to 150°C
Lead Temperature(Soldering, 4 sec.)	+260°C
Maximum Power Dissipation @25°C	1.4W

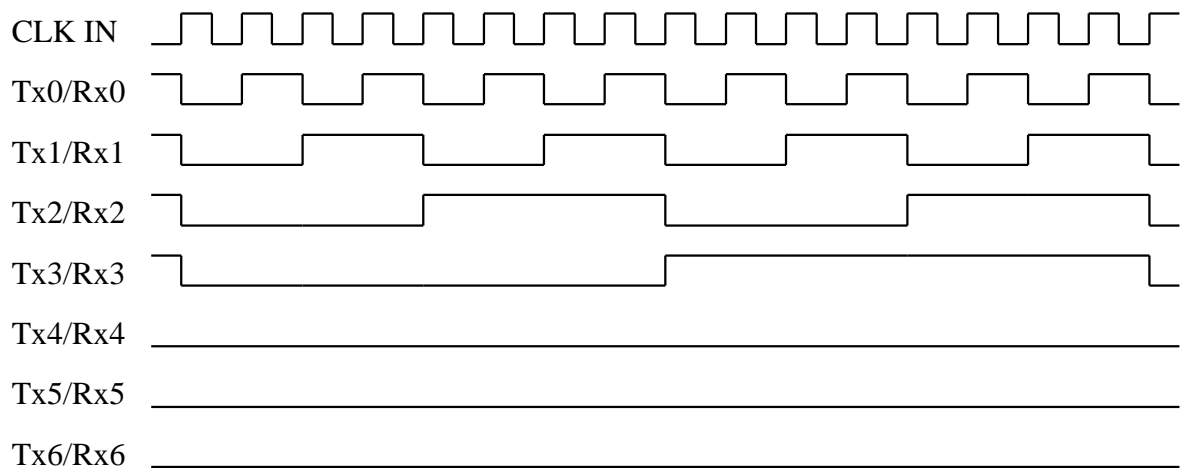
Note 1: "Absolute Maximum Ratings" are those values beyond which the safety of the device cannot be guaranteed. They are not ment to imply that the device should be operated at these limits. The tables of "Electrical Characteristics" specify conditions for device operation.

## Supply Current

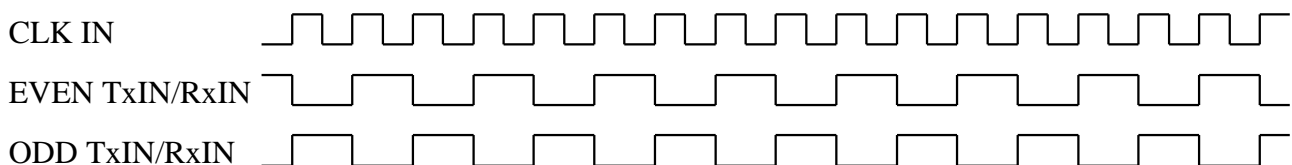
V<sub>cc</sub> = 3.0 - 3.6V, T<sub>a</sub> = -10 - +70 °C

SYMBOL	PARAMETER	CONDITIONS		TYP	MAX	UNITS
I <sub>TCCG</sub>	Transmitter Supply Current	RL=100 Ω, CL=5pF, V <sub>cc</sub> =3.3V, 16 Grayscale Pattern	f=65MHz	36	46	mA
			f=85MHz	39	49	mA
I <sub>TCCW</sub>	Transmitter Supply Current	RL=100 Ω, CL=5pF, V <sub>cc</sub> =3.3V, Worst Case Pattern	f=65MHz	38	48	mA
			f=85MHz	41	51	mA
I <sub>TCCS</sub>	Transmitter Power Down Supply Current	/PDWN =0 V			10	μA
I <sub>RCCG</sub>	Receiver Supply Current	CL=8pF, V <sub>cc</sub> =3.3V, 16 Grayscale Pattern	f=65MHz	41	53	mA
			f=85MHz	52	64	mA
I <sub>RCCW</sub>	Receiver Supply Current	CL=8pF, V <sub>cc</sub> =3.3V, Worst Case Pattern	f=65MHz	72	94	mA
			f=85MHz	84	96	mA
I <sub>RCCS</sub>	Receiver Power Down Supply Current	/PDWN =0 V			10	μA

### 16 Grayscale Pattern



### Worst Case Pattern



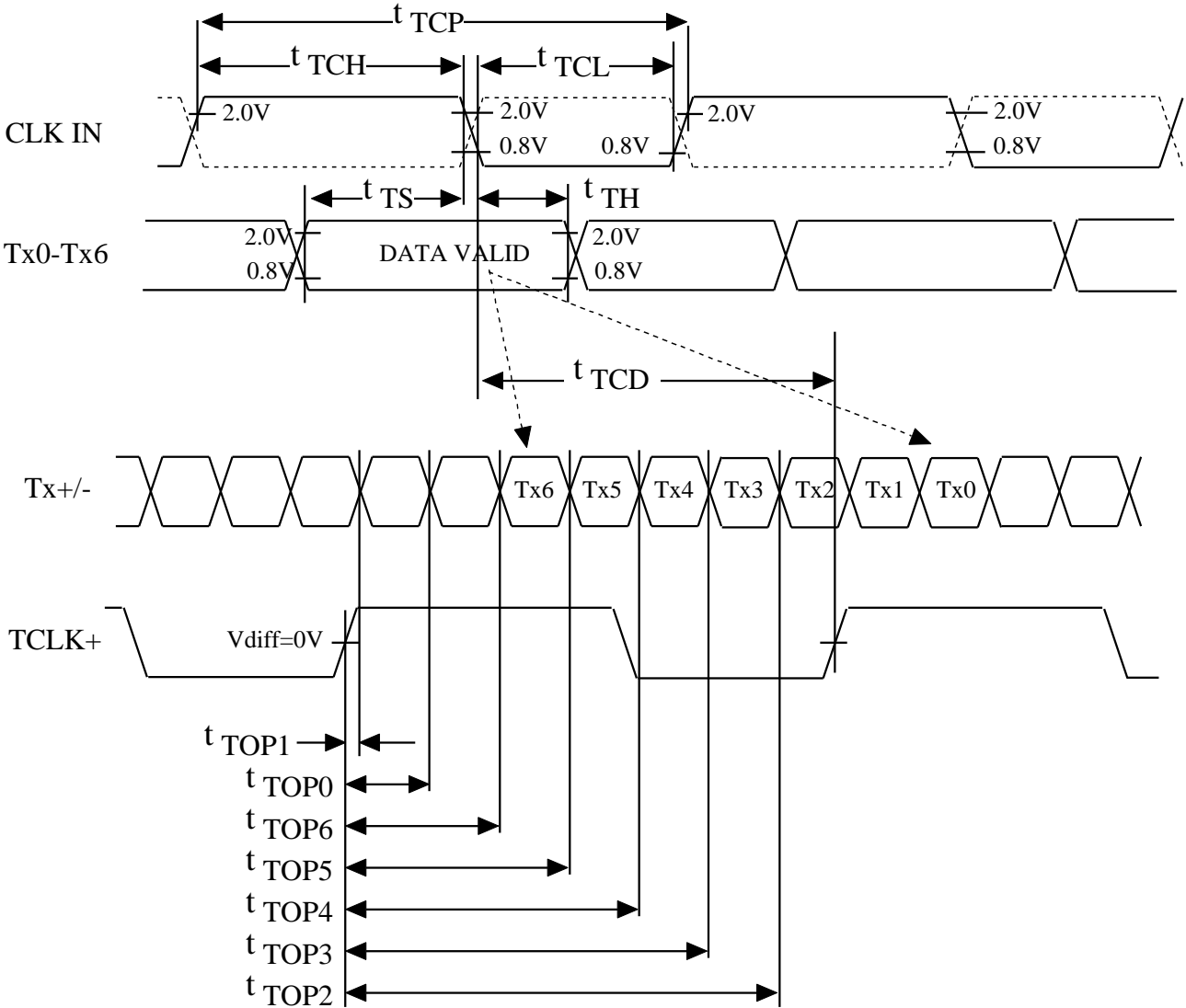
## Switching Characteristics

$V_{CC} = 3.0 - 3.6V$ ,  $T_a = -10 - +70\text{ }^{\circ}C$

SYMBOL	PARAMETER	MIN	TYP	MAX	UNITS
<b>TRANSMITTER</b>					
$t_{TCIT}$	CLK IN Transition Time			5.0	ns
$t_{TCP}$	CLK IN Period	11.76	T	50.0	ns
$t_{TCH}$	CLK IN High Time	0.35T	0.5T	0.65T	ns
$t_{TCL}$	CLK IN Low Time	0.35T	0.5T	0.65T	ns
$t_{TCD}$	CLK IN to TCLK+/- Delay		2T/7		ns
$t_{TS}$	TTL Data Setup to CLK IN	2.5			ns
$t_{TH}$	TTL Data Hold from CLK IN	2.5			ns
$t_{LVT}$	LVDS Transition Time		0.6	1.5	ns
$t_{TOP1}$	Output Data Position 0 (T=11.76ns)	-0.2	0.0	0.2	ns
$t_{TOP0}$	Output Data Position 1 (T=11.76ns)	T/7-0.2	T/7	T/7+0.2	ns
$t_{TOP6}$	Output Data Position 2 (T=11.76ns)	2T/7-0.2	2T/7	2T/7+0.2	ns
$t_{TOP5}$	Output Data Position 3 (T=11.76ns)	3T/7-0.2	3T/7	3T/7+0.2	ns
$t_{TOP4}$	Output Data Position 4 (T=11.76ns)	4T/7-0.2	4T/7	4T/7+0.2	ns
$t_{TOP3}$	Output Data Position 5 (T=11.76ns)	5T/7-0.2	5T/7	5T/7+0.2	ns
$t_{TOP2}$	Output Data Position 6 (T=11.76ns)	6T/7-0.2	6T/7	6T/7+0.2	ns
$t_{TPLL}$	Phase Lock Loop Set			10	ms
<b>RECEIVER</b>					
$t_{RCP}$	CLK OUT Period	11.76	T	50.0	ns
$t_{RCH}$	CLK OUT High Time		4T/7		ns
$t_{RCL}$	CLK OUT Low Time		3T/7		ns
$t_{RCD}$	RCLK+/- to CLK OUT Delay		5T/7		ns
$t_{RS}$	TTL Data Setup to CLK OUT	3T/7-2.5			ns
$t_{RH}$	TTL Data Hold from CLK OUT	4T/7-3.5			ns
$t_{TLH}$	TTL Low to High Transition Time		3.0	5.0	ns
$t_{THL}$	TTL High to Low Transition Time		3.0	5.0	ns
$t_{RIP1}$	Input Data Position 0 (T=11.76ns)	-0.4	0.0	0.4	ns
$t_{RIP0}$	Input Data Position 1 (T=11.76ns)	T/7-0.4	T/7	T/7+0.4	ns
$t_{RIP6}$	Input Data Position 2 (T=11.76ns)	2T/7-0.4	2T/7	2T/7+0.4	ns
$t_{RIP5}$	Input Data Position 3 (T=11.76ns)	3T/7-0.4	3T/7	3T/7+0.4	ns
$t_{RIP4}$	Input Data Position 4 (T=11.76ns)	4T/7-0.4	4T/7	4T/7+0.4	ns
$t_{RIP3}$	Input Data Position 5 (T=11.76ns)	5T/7-0.4	5T/7	5T/7+0.4	ns
$t_{RIP2}$	Input Data Position 6 (T=11.76ns)	6T/7-0.4	6T/7	6T/7+0.4	ns
$t_{RPLL}$	Phase Lock Loop Set			10.0	ms

# AC TIMING DIAGRAMS

## TRANSMITTER DEVICE

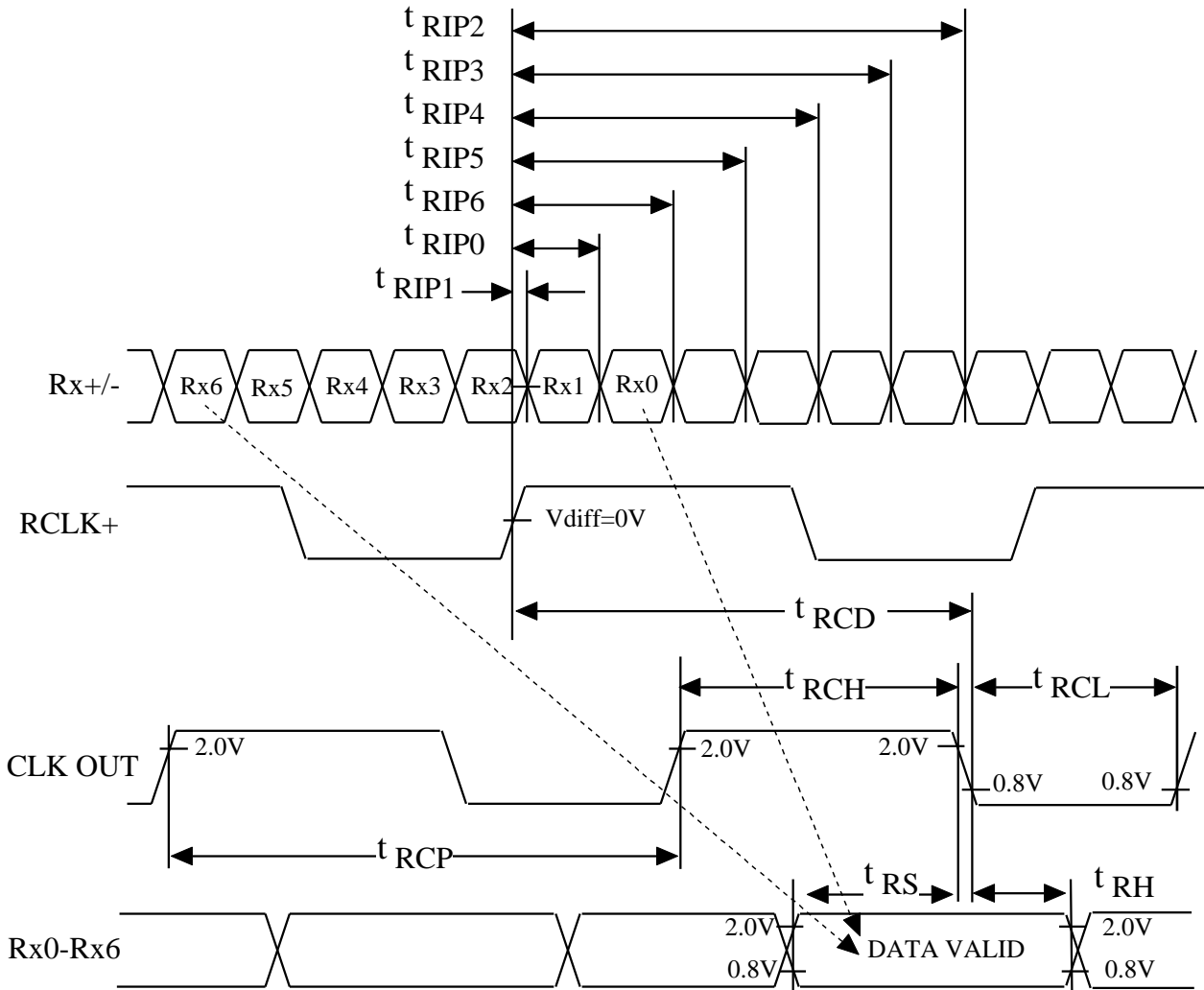


Note:

- 1) CLK IN: for THC63LVDM83A(R/F=GND), denoted as solid line,  
for THC63LVDM83A(R/F=Vcc), denoted as dashed line
- 2)  $V_{diff} = (TA+) - (TA-), \dots (TCLK+) - (TCLK-)$

# AC TIMING DIAGRAMS

## RECEIVER DEVICE



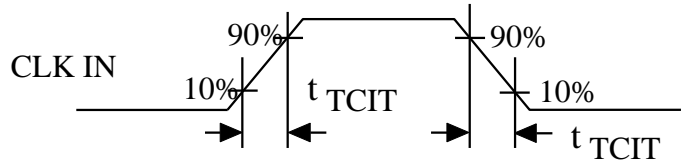
Note:

1)  $V_{diff} = (RA+) - (RA-), \dots (RCLK+) - (RCLK-)$

# AC TIMING DIAGRAMS

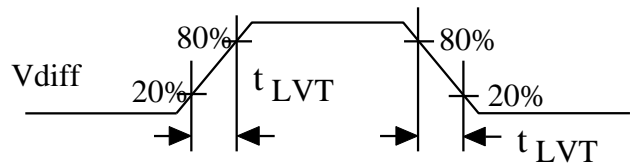
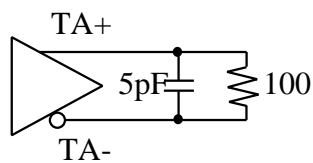
## TRANSMITTER DEVICE TRANSITION TIMES

### TTL Input



### LVDS Output

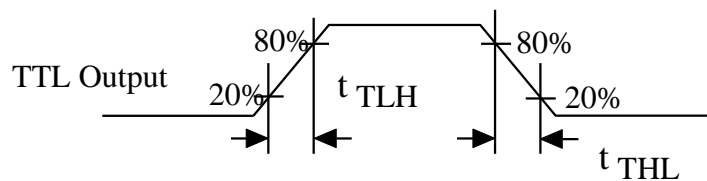
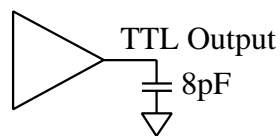
$$V_{diff} = (TA+) - (TA-)$$



LVDS output load

## RECEIVER DEVICE TRANSITION TIMES

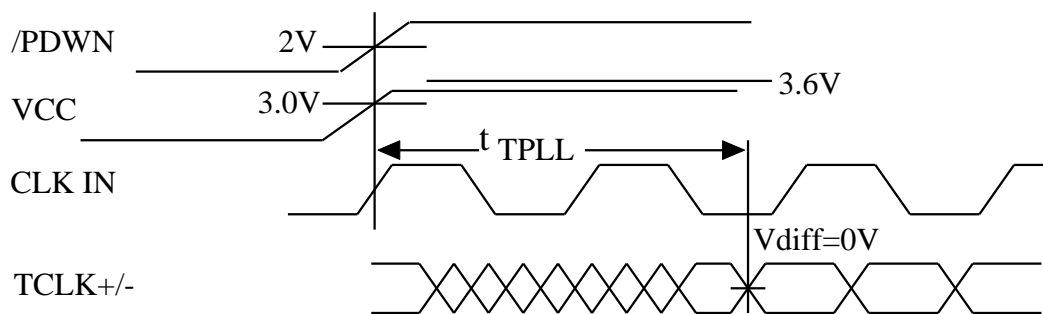
### TTL Output



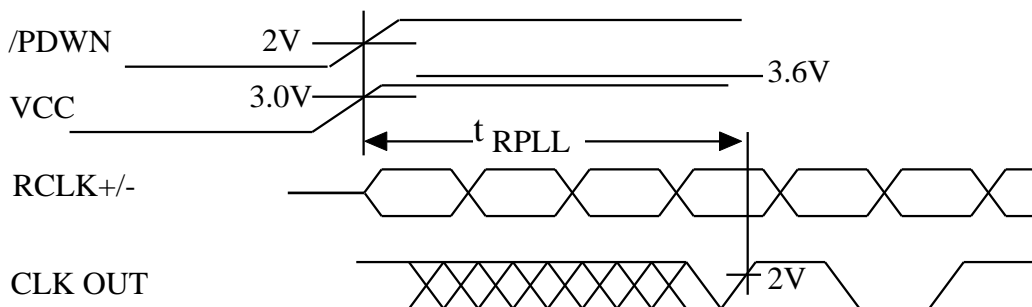
TTL output load

## PHASE LOCK LOOP SET TIME

### TRANSMITTER DEVICE



### RECEIVER DEVICE





***THine Electronics, Inc.***

3-2-8F, Nihombashi-Ohdemmacho

Chuo-ku, Tokyo, 103-0011 Japan

Tel: 81-3-5641-0666

Fax: 81-3-5641-0669

***THine***

---