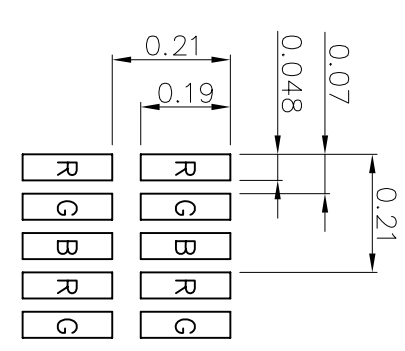
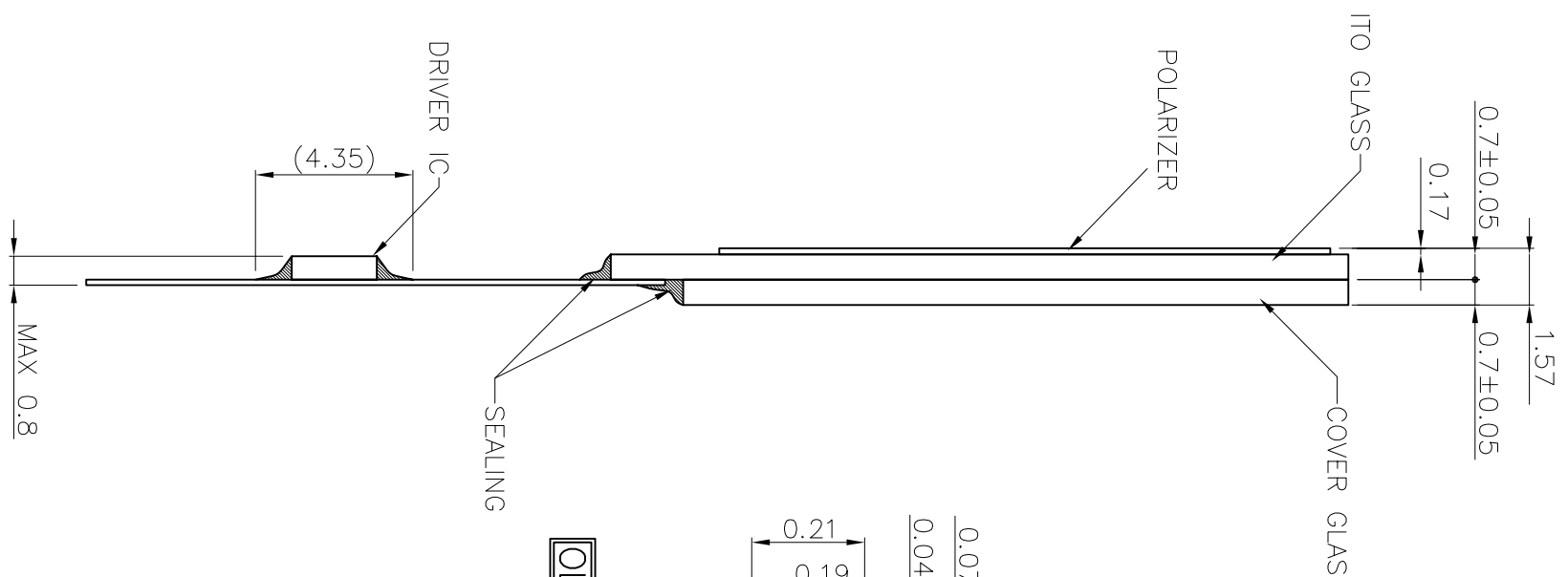
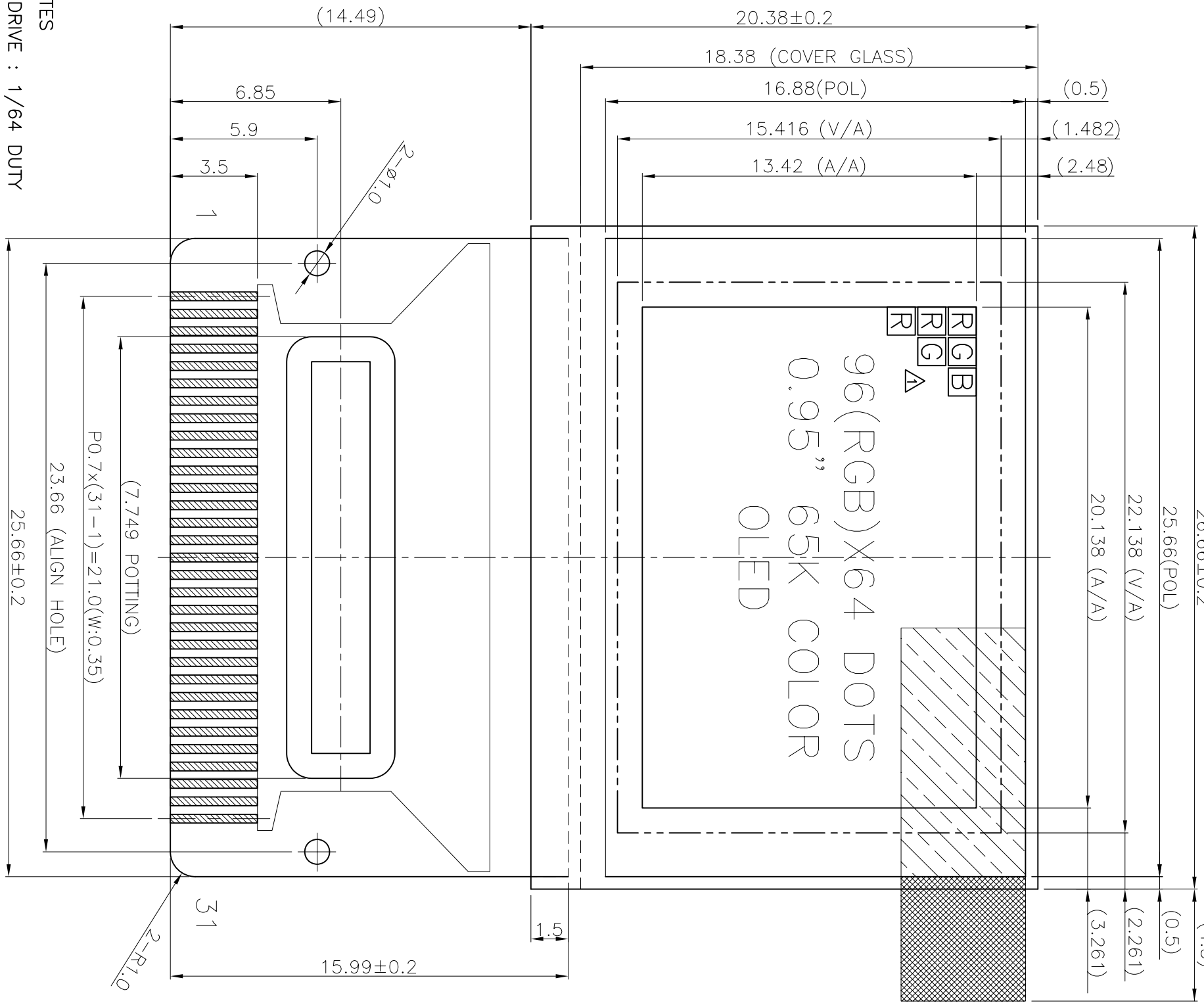


THIS DRAWING IS PROPERTY OF NeoView KOLON CO.,LTD. IT MUST NOT BE COPIED, REPRODUCED OR OTHERWISE MADE USE OF WITHOUT THE WRITTEN PERMISSION OF NeoView KOLON CO.,LTD



No.	PIN DESCRIPTION
1	NC
2	VCC
3	VCOMH
4	NC
5	D7
6	D6
7	D5
8	D4
9	D3
10	D2
11	D1
12	D0
13	E(RD)
14	RW#(WR#)
15	DC#
16	RES#
17	CS#
18	IREF
19	BS2
20	BS1
21	VDD
22	VP_C
23	VP_B
24	VP_A
25	VBREF
26	RESE
27	FB
28	VDDB
29	GDR
30	VSS
31	NC

NOTES

1. DRIVE : 1/64 DUTY
2. IC : SSD1332
3. IF DIMENSIONS ARE NO MARK, PLEASE, APPLY TO GENERAL TOLERANCE

GENERAL TOLERANCE	SCALE	N / S	UNIT	mm	SIZE	A3	TITLE	MODULE ASSEMBLY
0<X<=7 F0.1	DRAWING		CHECK				MODEL No. NVK064SC012F-S-0100	
7<X<=28 F0.2							DWG No. 0751-010	SHEET 1/1
28<X<=56 F0.3							SPEC No. -	REV. 001
56<X F0.5								

No.	DATE	DOT Sequence Changed BGR--->RGB	REVISIONS / REASON	DRAWING	CHOI.W.S	JUN.E.S	LEE.S.Y	KIM.M.H	LIM.W.B	APPROVAL
1	07.7.11									

NeoView KOLON CO., LTD.