

ABSOLUTE MAXIMUM RATINGS

Item	Symbol	Min.	Max.	Unit
Supply Voltage(Logic)	V _{DD} - V _{SS}	-0.3	7.0	V
Supply Voltage(LCD)	V _{DD} - V _O	-0.3	13.0	V
Input Voltage	V _I	-0.3	V _{DD} + 0.3	V
Operating Temp.	T _{opr}	-20	70	°C
Storage Temp.	T _{stg}	-20	80	°C

MECHANICAL DATA

Item	Nominal Dimensions	Unit
Module Size (W x H x T)	84.0 x 44.0 x 9.5/13.5	mm
Viewing Area (W x H)	60.5 x 18.5	mm
Dot Pitch (W x H)	0.44 x 0.49	mm
Dot Size (W x H)	0.40 x 0.45	mm
Weight (Reflective/LED)	Approx. 30 / 36	g

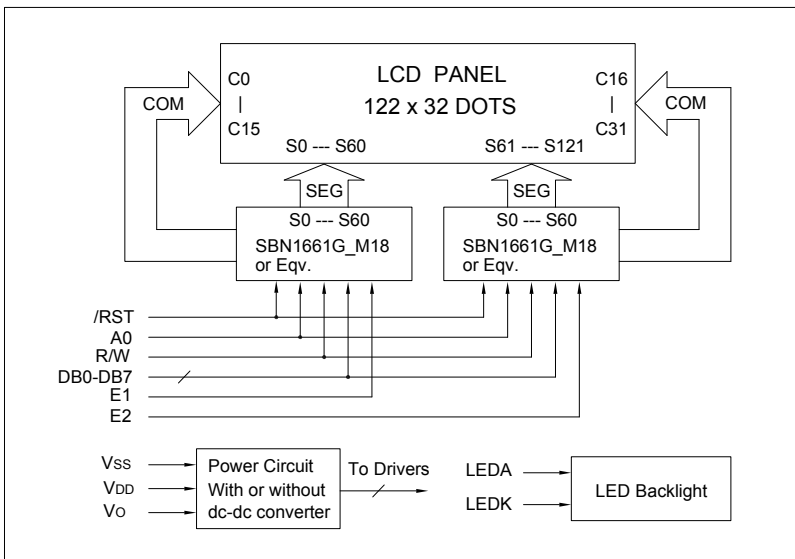
ELECTRICAL CHARACTERISTICS (V_{DD} = 5V ± 0.25V)

Item	Symbol	Test Condition	Min.	Typ.	Max.	Unit
Input High Voltage	V _{IH}	--	0.7V _{DD}	--	V _{DD}	V
Input Low Voltage	V _{IL}	--	0	--	0.25V _{DD}	V
Output High Voltage	V _{OH}	--	V _{DD} -0.3	--	V _{DD}	V
Output Low Voltage	V _{OL}	--	0	--	0.3	V
Supply Current	I _{DD}	V _{DD} = 5.0V	--	0.6	1.0	mA
LCD Driving Voltage	V _{DD} - V _O	T _a =25°C	--	6.5	--	V

2 INTERFACE SIGNALS

Pin No.	Symbol	Description(function)	Remark
1	V _{DD}	Supply voltage for logic and LCD +	
2	V _{SS}	Ground	
3	V _O	Operating voltage for LCD	Variable
4	RST	System Reset	
5	E1	IC1 enable signal	
6	E2	IC2 enable signal	
7	R/W	Read/Write signal	
8	A0	H: Data ; L: Instruction	
9	DB0	Data bit0	
10	DB1	Data bit1	
11	DB2	Data bit2	
12	DB3	Data bit3	
13	DB4	Data bit4	
14	DB5	Data bit5	
15	DB6	Data bit6	
16	DB7	Data bit7	
17	V _{BLA}	Power supply for LED Backlight	Or NO
18	V _{BLK}	Ground	Connection

BLOCK DIAGRAM



LED BACKLIGHT SPECIFICATIONS (T_a = 25°C)

Item	Symbol	Typ.	Max.	Unit
Forward Voltage	V _f	4.1	4.3	V
Forward Current	I _f	120	--	mA
Emission Wave Length	λ _p	568	--	nm