

CN4

- 1.SCEN
- 2.Reset
- 3.U/D(SDA)
- 4.L/R(SCL)
- 5.GND
- 6.GND
- 7.DE
- 8.Vsync
- 9.Hsync
- 10.CLK

- 11.GND
- 12.GND
- 13.R0(GPIO5)
- 14.R1(GPIO6)
- 15.R2(GPIO21)
- 16.R3(GPIO22)
- 17.R4(LVDS_B_0+)
- 18.R5(LVDS_B_0-)
- 19.R6(LVDS_B_1+)
- 20.R7(LVDS_B_1-)

CN5

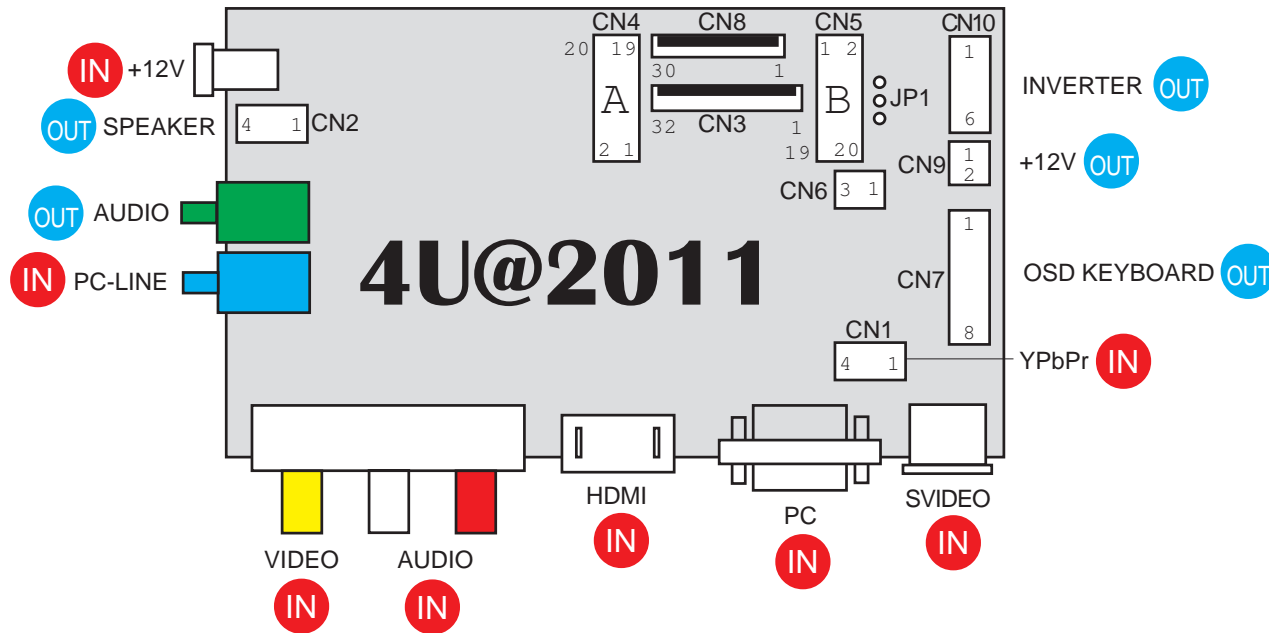
- 1.VCC(3.3/5.0V)
- 2.VCC(3.3/5.0V)
- 3.GND
- 4.GND
- 5.G0(LVDS_B_2+)
- 6.G1(LVDS_B_2-)
- 7.G2(LVDS_B_CLK+)
- 8.G3(LVDS_B_CLK-)
- 9.G4(LVDS_B_3+)
- 10.G5(LVDS_B_3-)

- 11.G6(LVDS_A_0+)
- 12.G7(LVDS_A_0-)
- 13.B0(LVDS_A_1+)
- 14.B1(LVDS_A_1-)
- 15.B2(LVDS_A_2+)
- 16.B3(LVDS_A_2-)
- 17.B4(LVDS_A_CLK+)
- 18.B5(LVDS_A_CLK-)
- 19.B6(LVDS_A_3+)
- 20.B7(LVDS_A_3-)

CN8

6BIT TTL OUTPUT FOR LQ038Q5DR01
0.5mmPitch 30PIN

- 1.GND
- 2.CLK
- 3.GND
- 4.Hsync
- 5.Vsync
- 6.GND
- 7.R0
- 8.R1
- 9.R2
- 10.R3
- 11.R4
- 12.R5
- 13.GND
- 14.G0
- 15.G1
- 16.G2
- 17.G3
- 18.G4
- 19.G5
- 20.VCC
- 21.VCC
- 22.B0
- 23.B1
- 24.B2
- 25.B3
- 26.B4
- 27.B5
- 28.GND
- 29.ENAB
- 30.GND



CN3

6BIT TTL OUTPUT FOR DMMT-7000VGA
0.5mmPitch 32PIN

- 1.GND
- 2.CLK
- 3.HS
- 4.VS
- 5.GND
- 6.R0
- 7.R1
- 8.R2
- 9.R3
- 10.R4
- 11.R5
- 12.GND
- 13.G0
- 14.G1
- 15.G2
- 16.G3
- 17.G4
- 18.G5
- 19.GND
- 20.B0
- 21.B1
- 22.B2
- 23.B3
- 24.B4
- 25.B5
- 26.GND
- 27.DE
- 28.VCC
- 29.VCC
- 30.RLC
- 31.UDS
- 32.GND

CN2

- AUDIO(2W+2W)OUTPUT
2.0mmPitch 4PIN
- 1.AUDIO_R
 - 2.GND
 - 3.GND
 - 4.AUDIO_L

CN1

- YPbPr INPUT
2.0mmPitch 4PIN
- 1.GND
 - 2.Pb(Cb)
 - 3.Y
 - 4.Pr(Cr)

CN7

- OSD KEYBOARD
2.0mmPitch 8PIN
- 1.IR
 - 2.GND
 - 3.+5V
 - 4.LED_RED
 - 5.LED_GREEN
 - 6.GND
 - 7.KEY1
 - 8.KEY2

CN9

- +12VDC OUTPUT
2.5mmPitch 2PIN
- 1.+12V
 - 2.GND

CN6

- INVERTER
2.0mmPitch 6PIN
- 1.+12V
 - 2.+12V
 - 3.ON/OFF
 - 4.ADJ
 - 5.GND
 - 6.GND