

CN1:2.0mmPitch 14PIN
OSD KEYBOARD

- 1.5V
- 2.IR_RECEIVER
- 3.GND
- 4.K0
- 5.RED_LED
- 6.GREEN_LED
- 7.GND
- 8.K1
- 9.K2
- 10.K3
- 11.K4
- 12.K5
- 13.K6
- 14.K7

CN5:2.0mmPitch 6PIN
DC-AC INVERTER

- 1.12V
- 2.12V
- 3.EN
- 4.ADJ
- 5.GND
- 6.GND

CN6:2.0mmPitch 12PIN
Analog-RGB INPUT

- 1.GND
- 2.VS
- 3.HS
- 4.GND
- 5.R
- 6.GND
- 7.G
- 8.GND
- 9.B
- 10.GND
- 11.SDA
- 12.SCL

CN7:2.0mmPitch 6PIN
YPbPr INPUT

- 1.Pr
- 2.GND
- 3.Pb
- 4.GND
- 5.Y
- 6.GND

CN4:2.0mmPITCH 30PIN
LVDS OUTPUT

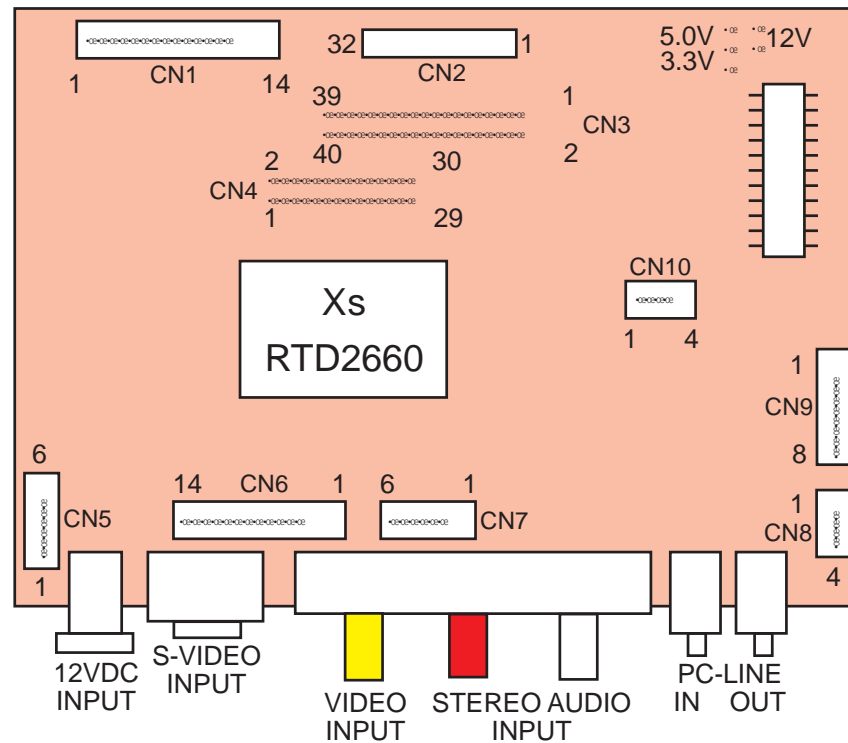
- | | |
|-------------|----------|
| 1.LCD Power | 16.RXOC+ |
| 2.LCD Power | 17.RXO3- |
| 3.LCD Power | 18.RXO3+ |
| 4.GND | 19.RXE0- |
| 5.GND | 20.RXE0+ |
| 6.GND | 21.RXE1- |
| 7.RXO0- | 22.RXE1+ |
| 8.RXO0+ | 23.RXE2- |
| 9.RXO1- | 24.RXE2+ |
| 10.RXO1+ | 25.GND |
| 11.RXO2- | 26.GND |
| 12.RXO2+ | 27.RXEC- |
| 13.GND | 28.RXEC+ |
| 14.GND | 29.RXE3- |
| 15.RXOC- | 30.RXE3+ |

CN3:2.0mmPITCH 40PIN
TTL OUTPUT

- | | | |
|-------------|--------|--------|
| 1.LCD POWER | 16.R3 | 31.B0 |
| 2.LCD POWER | 17.R4 | 32.B1 |
| 3.LCD POWER | 18.R5 | 33.B2 |
| 4.LCD POWER | 19.R6 | 34.B3 |
| 5.GND | 20.R7 | 35.B4 |
| 6.GND | 21.GND | 36.B5 |
| 7.Vsync | 22.G0 | 37.B6 |
| 8.GND | 23.G1 | 38.B7 |
| 9.Hsync | 24.G2 | 39.GND |
| 10.GND | 25.G3 | 40.NC |
| 11.DE | 26.G4 | |
| 12.GND | 27.G5 | |
| 13.R0 | 28.G6 | |
| 14.R1 | 29.G7 | |
| 15.R2 | 30.GND | |

CN2:0.5mmPITCH 32PIN FFC
TTL OUTPUT FOR LQ070Y3DG01

- | | |
|---------|-----------------|
| 1.GND | 16.G3 |
| 2.DCKL | 17.G4 |
| 3.Hsync | 18.G5 |
| 4.Vsync | 19.GND |
| 5.GND | 20.B0 |
| 6.R0 | 21.B1 |
| 7.R1 | 22.B2 |
| 8.R2 | 23.B3 |
| 9.R3 | 24.B4 |
| 10.R4 | 25.B5 |
| 11.R5 | 26.GND |
| 12.GND | 27.DE |
| 13.G0 | 28,29.LCD POWER |
| 14.G1 | 30.RLC,31.UDS |
| 15.G2 | 32.GND |



CN8:2.0mmPitch 4PIN
AUDIO OUTPUT

- 1.STEREO_L
- 2.GND
- 3.GND
- 4.STEREO_R

CN9:2.0mmPitch 8PIN
Integrated Audio Input

- 1.PC_L
- 2.PC_R
- 3.GND
- 4.YPbPr_L
- 5.YPbPr_R
- 6.GND
- 7.AV_R
- 8.AV_L

CN10:2.0mmPitch 4PIN
Second AV INPUT

- 1.AV2(VIDEO)
- 2.GND
- 3.AUDIO_R
- 4.AUDIO_L

aitendo