

**CN1
OSD KEYBOARD
2.0mm Pitch 8P
JST PHR-8**

- 1.K4
- 2.K3
- 3.K2
- 4.K1
- 5.GND
- 6.LED GREEN
- 7.LED RED
- 8.K0

**CN2
IR SENSOR
2.0mm PITCH 3P
JST PHR-3**

- 1.GND
- 2.IR
- 3.VCC

**CN3
DISPLYING DIRECTION CONTROL
2.0MM PITCH 4P
JST PHR-4**

- 1.R/L
- 2.U/D
- 3.SW
- 4.GND

**CN4
DC-AC INVERTER
2.0MM PITCH 6P
JST PHR-6**

- 1.GND
- 2.GND
- 3.ADJ
- 4.EN
- 5.12V
- 6.12V

**CN5
5V OUTPUT
2.0MM PITCH 2P
JST PHR-2**

- 1.5V
- 2.GND

**CN6
12V INPUT
2.0MM PITCH 4P
JST PHR-4**

- 1.12V
- 2.12V
- 3.GND
- 4.GND

**FROM LCD PANEL BACKLIGHT
JST PHSR02VS**

DC-AC INVERTER

**DC12V
2.1/5.5mm JACK**

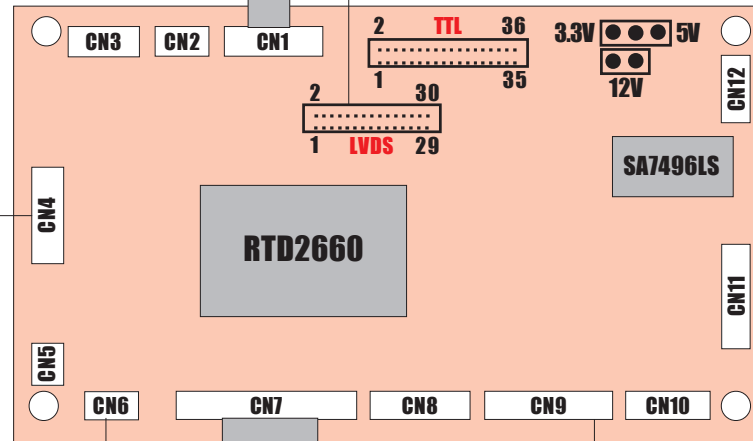
Xs2
XS2-LVDS16XGA
for
LVDS/1CH/6BIT/XGA TFT LCD

**CN11
YPbPr AUDIO & LINE INPUT
2.0MM PITCH 6P
JST PHR-6**

- 1.GND
- 2.Yp-L
- 3.Yp-R
- 4.GND
- 5.PC-LINEL
- 6.PC-LINER



OSD CONTROL KEYBOARD



**D-SUB15P
ANALOG-RGB INPUT**

**RCA JACK
COMPOSITE VIDEO INPUT**

**CN12
AUDIO OUTPUT
2.0MM PITCH 4P
JST PHR-4**

- 1.L-CH
- 2.GND
- 3.GND
- 4.R-CH

**CN7
ANALOG-VGA INPUT
2.0MM PITCH 12P
JST PHR-12**

- 1.SCL
- 2.SDA
- 3.GND
- 4.BLUE
- 5.GND
- 6.GREEN
- 7.GND
- 8.RED
- 9.GND
- 10.HS
- 11.VS
- 12.GND

**SIGNAL CABLE
1.25mm Pitch 20P
HIROSE DF14-20S-1.25C
1ch/6bit**

**CN8
YPbPr INPUT
2.0MM PITCH 6P
JST PHR-6**

- 1.GND
- 2.Y
- 3.GND
- 4.Pb
- 5.GND
- 6.Pr

**CN9
VIDEO & SVIDEO INPUT
2.0MM PITCH 8P
JST PHR-8**

- 1.GND
- 2.C
- 3.Y
- 4.GND
- 5.COMPOSITE VIDEO
- 6.GND
- 7.COMPOSITE VIDEO2
- 8.GND

**CN10
AUDIO INPUT
2.0MM PITCH 6P
JST PHR-6**

- 1.R-CH for COMPOSITE VIDEO
- 2.L-CH for COMPOSITE VIDEO
- 3.GND
- 4.R-CH for COMPOSITE VIDEO2
- 5.L-CH for COMPOSITE VIDEO2
- 6.GND

aitendo