

**CN1
OSD KEYBOARD
2.0mm Pitch 8P
JST PHR-8**

- 1.K4
- 2.K3
- 3.K2
- 4.K1
- 5.GND
- 6.LED GREEN
- 7.LED RED
- 8.K0

**CN2
IR SENSOR
2.0mm PITCH 3P
JST PHR-3**

- 1.GND
- 2.IR
- 3.VCC

**CN3
DISPLYING DIRECTION CONTROL
2.0MM PITCH 4P
JST PHR-4**

- 1.R/L
- 2.U/D
- 3.SW
- 4.GND

**CN4
DC-AC INVERTER
2.0MM PITCH 6P
JST PHR-6**

- 1.GND
- 2.GND
- 3.ADJ
- 4.EN
- 5.12V
- 6.12V

**CN5
5V OUTPUT
2.0MM PITCH 2P
JST PHR-2**

- 1.5V
- 2.GND

**CN6
12V INPUT
2.0MM PITCH 4P
JST PHR-4**

- 1.12V
- 2.12V
- 3.GND
- 4.GND

**LVDS:2.0mmPITCH 30PIN
LVDS OUTPUT**

- | | |
|-------------|----------|
| 1.LCD Power | 16.RXOC+ |
| 2.LCD Power | 17.RXO3- |
| 3.LCD Power | 18.RXO3+ |
| 4.GND | 19.RXE0- |
| 5.GND | 20.RXE0+ |
| 6.GND | 21.RXE1- |
| 7.RXO0- | 22.RXE1+ |
| 8.RXO0+ | 23.RXE2- |
| 9.RXO1- | 24.RXE2+ |
| 10.RXO1+ | 25.GND |
| 11.RXO2- | 26.GND |
| 12.RXO2+ | 27.RXEC- |
| 13.GND | 28.RXEC+ |
| 14.GND | 29.RXE3- |
| 15.RXOC- | 30.RXE3+ |

**TTL:2.0mmPITCH 36PIN
TTL OUTPUT**

- | | | |
|--------|--------|--------------|
| 1.PEN | 16.GND | 31.B0 |
| 2.PCLK | 17.G5 | 32.GND |
| 3.VS | 18.G6 | 33.LCD Power |
| 4.GND | 19.G3 | 34.LCD Power |
| 5.HS | 20.G4 | 35.GND |
| 6.R7 | 21.G1 | 36.LCD Power |
| 7.R6 | 22.G2 | |
| 8.R5 | 23.B7 | |
| 9.R4 | 24.G0 | |
| 10.R3 | 25.B5 | |
| 11.R2 | 26.B6 | |
| 12.R1 | 27.B3 | |
| 13.R0 | 28.B4 | |
| 14.GND | 29.B1 | |
| 15.G7 | 30.B2 | |

**CN7
ANALOG-VGA INPUT
2.0MM PITCH 12P
JST PHR-12**

- 1.SCL
- 2.SDA
- 3.GND
- 4.BLUE
- 5.GND
- 6.GREEN
- 7.GND
- 8.RED
- 9.GND
- 10.HS
- 11.VS
- 12.GND

**CN8
YPbPr INPUT
2.0MM PITCH 6P
JST PHR-6**

- 1.GND
- 2.Y
- 3.GND
- 4.Pb
- 5.GND
- 6.Pr

**CN9
VIDEO & SVIDEO INPUT
2.0MM PITCH 8P
JST PHR-8**

- 1.GND
- 2.C
- 3.Y
- 4.GND
- 5.COMPOSITE VIDEO
- 6.GND
- 7.COMPOSITE VIDEO2
- 8.GND

**CN10
AUDIO INPUT
2.0MM PITCH 6P
JST PHR-6**

- 1.R-CH for COMPOSITE VIDEO
- 2.L-CH for COMPOSITE VIDEO
- 3.GND
- 4.R-CH for COMPOSITE VIDEO2
- 5.L-CH for COMPOSITE VIDEO2
- 6.GND

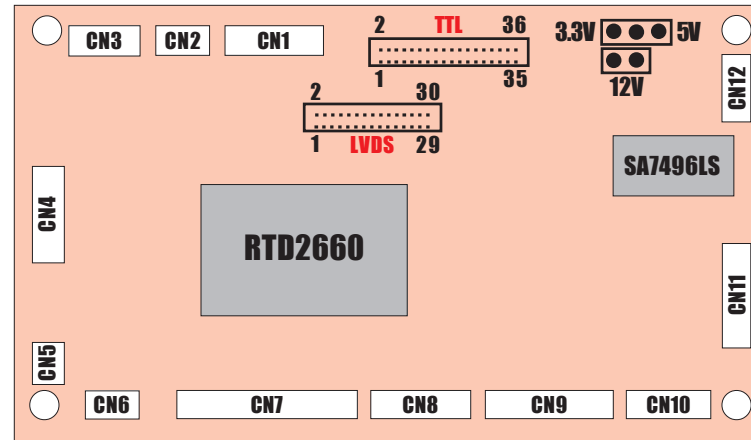
**CN11
AUDIO OUTPUT
2.0MM PITCH 4P
JST PHR-4**

- 1.L-CH
- 2.GND
- 3.GND
- 4.R-CH

**CN12
YPbPr AUDIO & LINE INPUT
2.0MM PITCH 6P
JST PHR-6**

- 1.GND
- 2.Yp-L
- 3.Yp-R
- 4.GND
- 5.PC-LINEL
- 6.PC-LINER

Xs2



aitendo