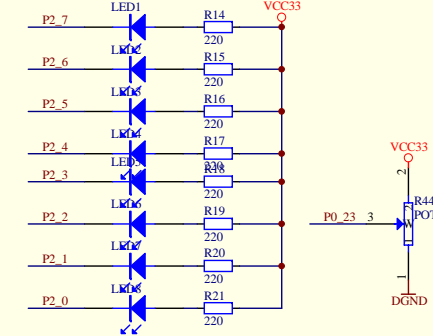
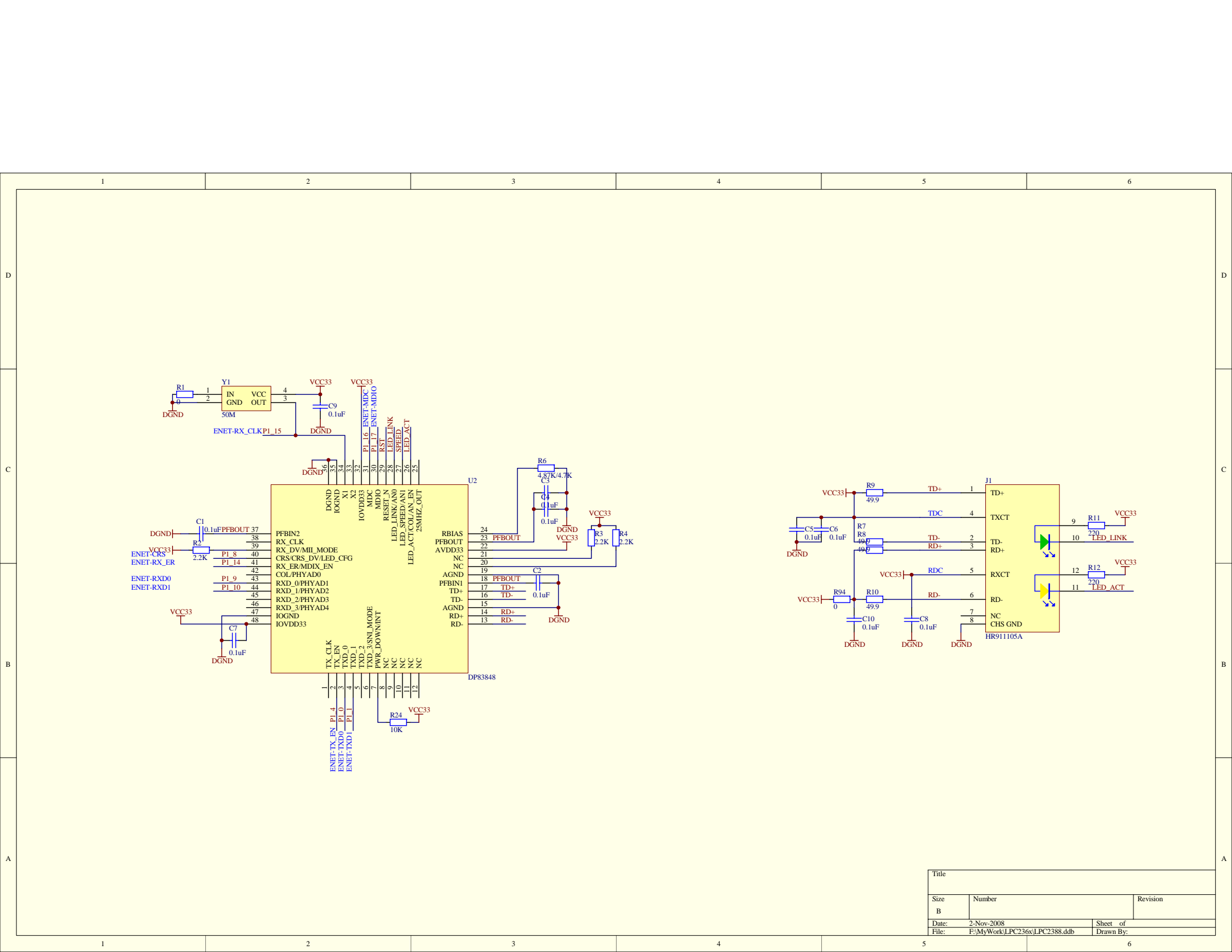


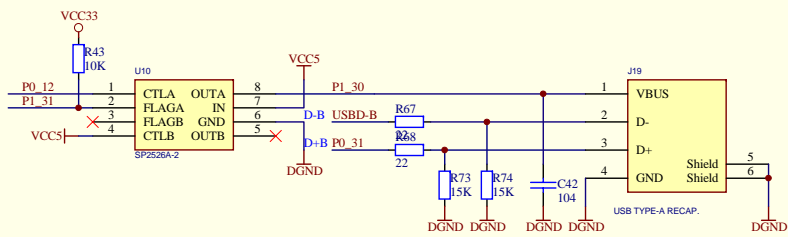
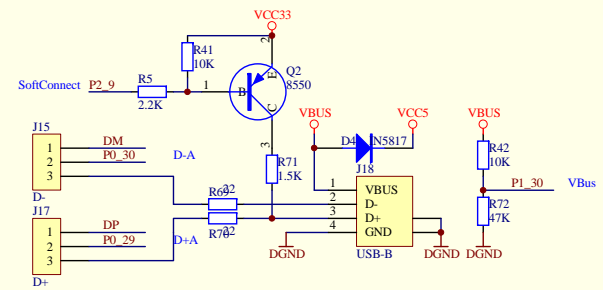
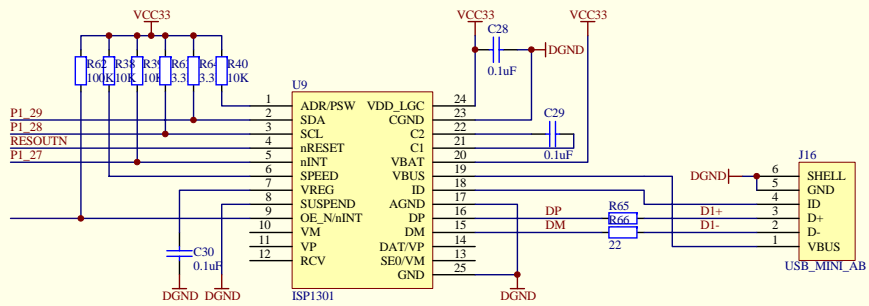
Pin	Function	Pin	Function	Pin	Function	Pin	Function	Pin	Function																																											
P1_0	ENET-TXD0	P1_136	P1.16/ENET-MDC	P1_16	ENET-MDC	P1_17	ENET-MDIO	P1_17	ENET-MDIO																																											
P1_1	ENET-TXD1	P1_135	P1.17/ENET-MDIO	P1_18	46	P1_18	46	P1_18	46																																											
P1_4	ENET-TX_EN	P1_133	P1.18/LED-AN/PWM1.1/CAP1.0	P1_19	47	P1_19	47	P1_19	47																																											
P1_8	ENET-CRS	P1_131	P1.19/TX_E-AN/PORT_PWR-AN/CAP1.1	P1_20	49	P1_20	49	P1_20	49																																											
P1_9	ENET-RXD0	P1_132	P1.20/TX_DP-A/PWM1.2/SCK0	P1_21	50	P1_21	50	P1_21	50																																											
P1_10	ENET-RXD1	P1_129	P1.21/TX_DM-A/PWM1.3/SSEL0	P1_22	51	P1_22	51	P1_22	51																																											
P1_14	ENET-RX_ER	P1_128	P1.22/RCV-A/PWRD-AN/MAT1.0	P1_23	53	P1_23	53	P1_23	53																																											
P1_15	ENET-RX_CLK	P1_126	P1.23/RX_DP-A/PWM1.4/MISO0	P1_24	54	P1_24	54	P1_24	54																																											
P1_16	ENET-MDC	P1_125	P1.24/TX_DM-A/PWM1.5/MOSI0	P1_25	56	P1_25	56	P1_25	56																																											
P1_17	ENET-MDIO	P1_123	P1.25/LOW_SP-A/HOST_EN-AN/MAT1.1	P1_26	57	P1_26	57	P1_26	57																																											
P1_18	46	P1_123	P1.26/SUSPEND-A/PWN1.6/CAP0.0	P1_27	61	P1_27	61	P1_27	61																																											
P1_19	47	P1_123	P1.27/INT-AN/OVR_CRNT-AN/CAPO.1	P1_28	63	P1_28	63	P1_28	63																																											
P1_20	49	P1_123	P1.28/SCL-A/PCAP1.0/MAT0.0	P1_29	64	P1_29	64	P1_29	64																																											
P1_21	50	P1_123	P1.29/SDA-A/PCAP1.1/MAT0.1	P1_30	30	P1_30	30	P1_30	30																																											
P1_22	51	P1_123	P1.30/PWRD-BN/VBUS-B/AD0.7	P1_31	28	P1_31	28	P1_31	28																																											
P1_23	53	P1_126	P1.31/OVR_CRNT-BN/SCK1/AD0.5	P2_0	107	P2_0	107	P2_0	107																																											
P1_16/ENET-MDC	P1_17/ENET-MDIO	P1_18/LED-AN/PWM1.1/CAP1.0	P1_19/TX_E-AN/PORT_PWR-AN/CAP1.1	P1_20/TX_DP-A/PWM1.2/SCK0	P1_21/TX_DM-A/PWM1.3/SSEL0	P1_22/RCV-A/PWRD-AN/MAT1.0	P1_23/RX_DP-A/PWM1.4/MISO0	P1_24/TX_DM-A/PWM1.5/MOSI0	P1_25/LOW_SP-A/HOST_EN-AN/MAT1.1	P1_26/SUSPEND-A/PWN1.6/CAP0.0	P1_27/INT-AN/OVR_CRNT-AN/CAPO.1	P1_28/SCL-A/PCAP1.0/MAT0.0	P1_29/SDA-A/PCAP1.1/MAT0.1	P1_30/PWRD-BN/VBUS-B/AD0.7	P1_31/OVR_CRNT-BN/SCK1/AD0.5	P2_0/PWM1.1/TXD1/TRACECLK	P2_1/PWM1.2/RXD1/PIPESTAT0	P2_2/PWM1.3/CTS1/PIPESTAT1	P2_3/PWM1.4/DCD1/PIPESTAT2	P2_4/PWM1.5/DSR1/TRACESYNC	P2_5/PWM1.6/DTR1/TRACEPKT0	P2_6/PCAP1.0/R1/TRACEPKT1	P2_7/CAN_RX2/RTS1/TRACEPKT2	P2_8/CAN_TX2/TXD2/TRACEPKT3	P2_9/RXD2/EXTIN0	P2_10/76	P2_11/75	P2_12/73	P2_13/71	P3_0/D0	P3_1/D1	P3_2/D2	P3_3/D2	P3_4/D3	P3_5/D4	P3_6/D5	P3_7/D7	P3_23/D23	P3_24/D24	P3_25/D25	P3_26/D26	OEN/P4.24	WEN/P4.25	BLS2/MAT2.0/TXD3/P4.28	BLS3/MAT2.1/RXD3/P4.29	CSN0/P4.30	CSN1/P4.31	TFT_RD	TFT_WR	TFT_BL	TFT_RS	TFT_CS



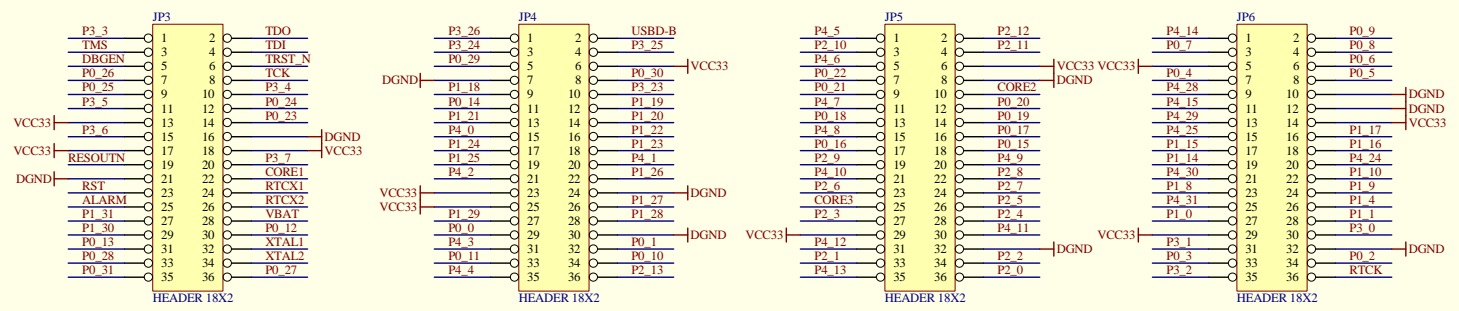
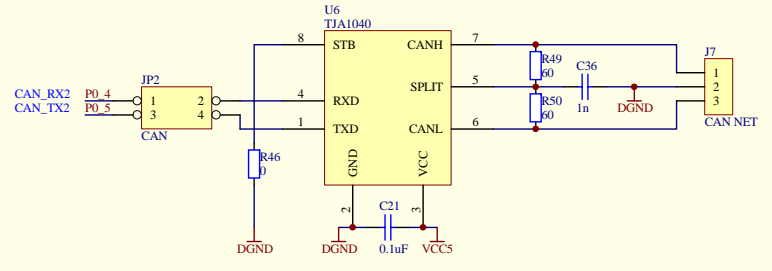
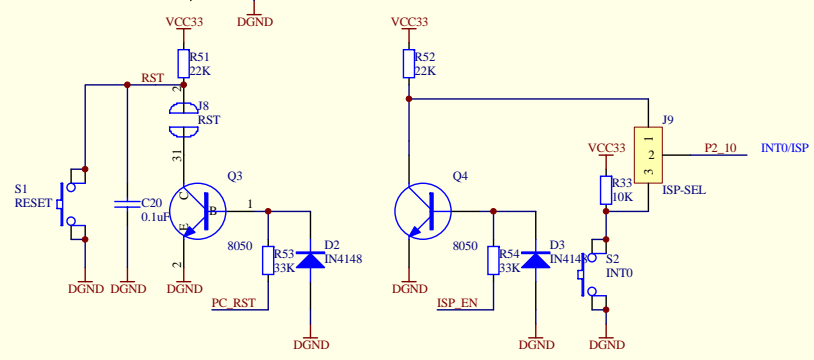
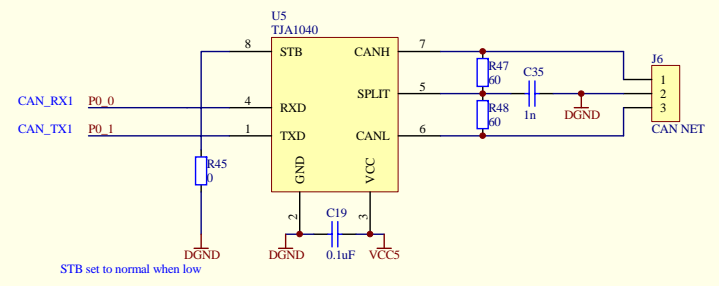
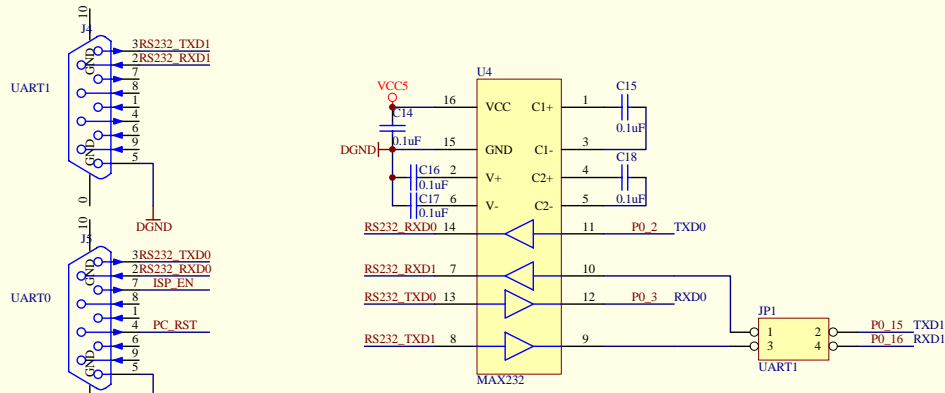
Title	
Size	Number
B	
Date:	2-Nov-2008
File:	F:\MyWork\LPC236x\LPC2388.ddb
Sheet of:	
Revision	
Drawn By:	



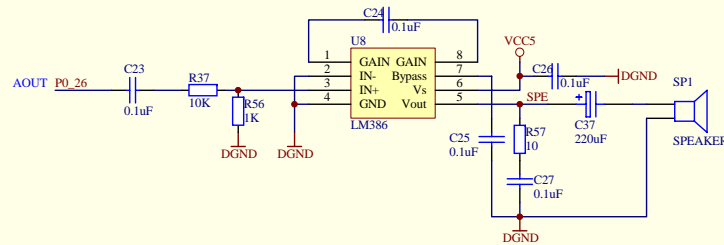
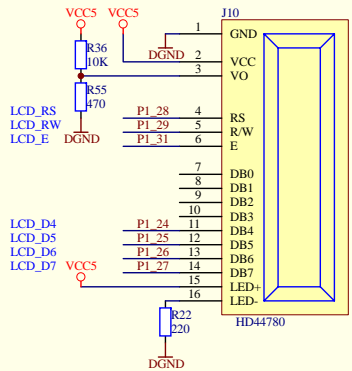
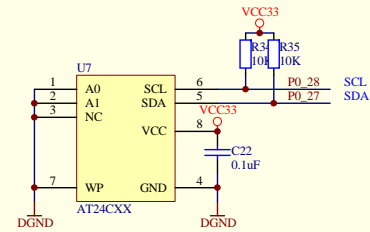
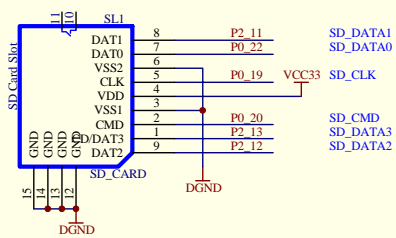
Title		
Size	Number	Revision
B		
Date:	2-Nov-2008	Sheet of
File:	F:\MyWork\LPC236x\LPC2388.ddb	Drawn By:



Title		
Size	Number	Revision
B		
Date:	2-Nov-2008	Sheet of
File:	F:\MyWork\LPC236x\LPC2388.ddb	Drawn By:



Title		
Size	Number	Revision
Date:	2-Nov-2008	Sheet of
File:	F:\MyWork\LPC236x\LPC2388.ddb	Drawn By:



Title		
Size	Number	Revision
B		
Date:	2-Nov-2008	Sheet of
File:	F:\MyWork\LPC236x\LPC2388.ddb	Drawn By: