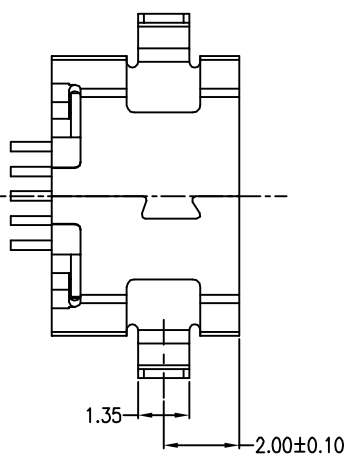
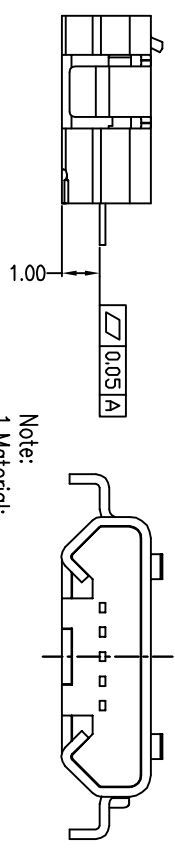
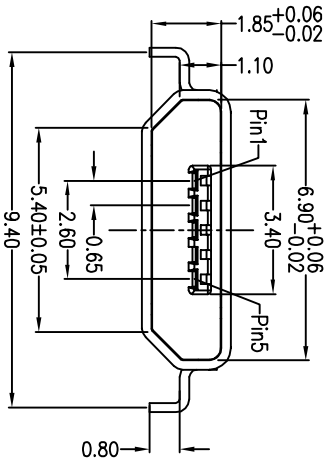
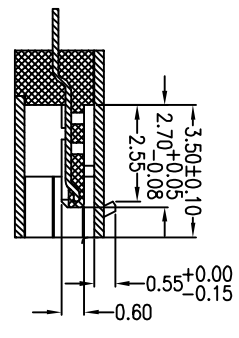
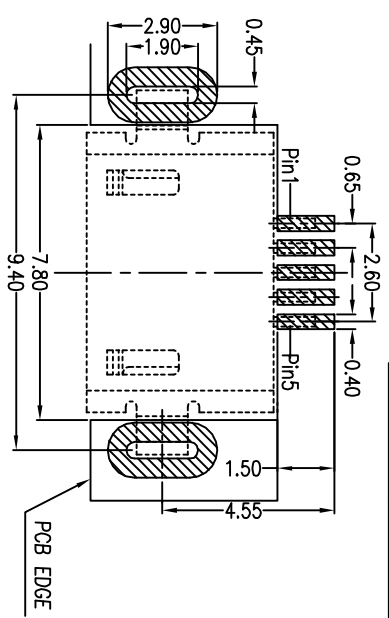
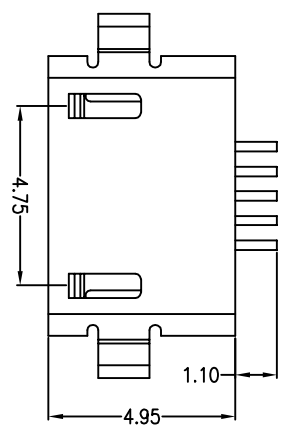


REV.	ECN NO	LOCATIONS	DESCRIPTION	DATE
------	--------	-----------	-------------	------



- Note:
1. Material:
 - 1.1 Housing: High temperature thermoplastic with g.f.U.L94V-0
 - 1.2 Contact: copper alloy,t=0.15mm
 - 1.3 Shell: copper alloy,t=0.25mm
- 2.Specification:
- 2.1 Current rating: 1 A Max. voltage: 100 V(ac) for 1 min.
 - 2.2 Dielectric withstanding
 - 2.3 Contact resistance: 50 mW Max.
 - 2.4 Insulation resistance: 100 MW Min.
 - 2.5 Total mating force: 3.57 Kgf Max.
 - 2.6 Total unmating force: 1.0 Kgf Min.0.81~2.05 Kgf Min.after 10000 insertion/extration cycles
 - 2.7 Temperature range: -30°C~80°C

A 01 S B X X X X X X X X X X X 3-232

- ① 产品代号 A:精品
- ② 产品系列 01:micro usb 5p in
- ③ 产品类型 B:8 TYPE
- ④ 外壳材质 1:0280R-H
- ⑤ 产品类别 S:母座
- ⑥ 产品颜色 B:黑色 W:白色
- ⑦ 端子材质 4:05191R-白 2:0280R-H
- ⑧ 端子电镀 0:镀层≥2000Å; 2:镀层≥1000Å; 3:镀层≥1000Å; 4:镀层≥1000Å; 5:镀层≥1000Å; 6:镀层≥1000Å; 7:镀层≥1000Å; 8:镀层≥1000Å; 9:镀层≥1000Å
- ⑨ 主体材质 1:1LP
- ⑩ 主体颜色 B:黑色 W:白色
- ⑪ 包装方式 1:整盘管;2:管带;4:p袋
- ⑫ 下板类型 3:沉板式
- ⑬ 细竹流水 22:Micro usb 5 8 Type D1脚插板;02:脚位

PART NO:		MODEL NO:		FINISH:		MATERIAL:	
AO1SBXXXXXXXXX3-232		XX		SEE NOTE		SEE NOTE	
UNIT:	MM	SIZE:	A4	COLOR:	SEE NOTE	TITLE:	
TOLERANCE UNSPECIFIED						Micro usb 5s B Type DIP脚破板1.0无导位	
.x	0.25	DR:	夏友红	DWG NO:	A232	SCALE:	5:1
.xxx	0.20	CHK:		APP:		DATE:	2012.05.04
.xxx	0.15	APP:		SCALE:	5:1	DATE:	2012.05.04
Ang.	2°					REV:	A