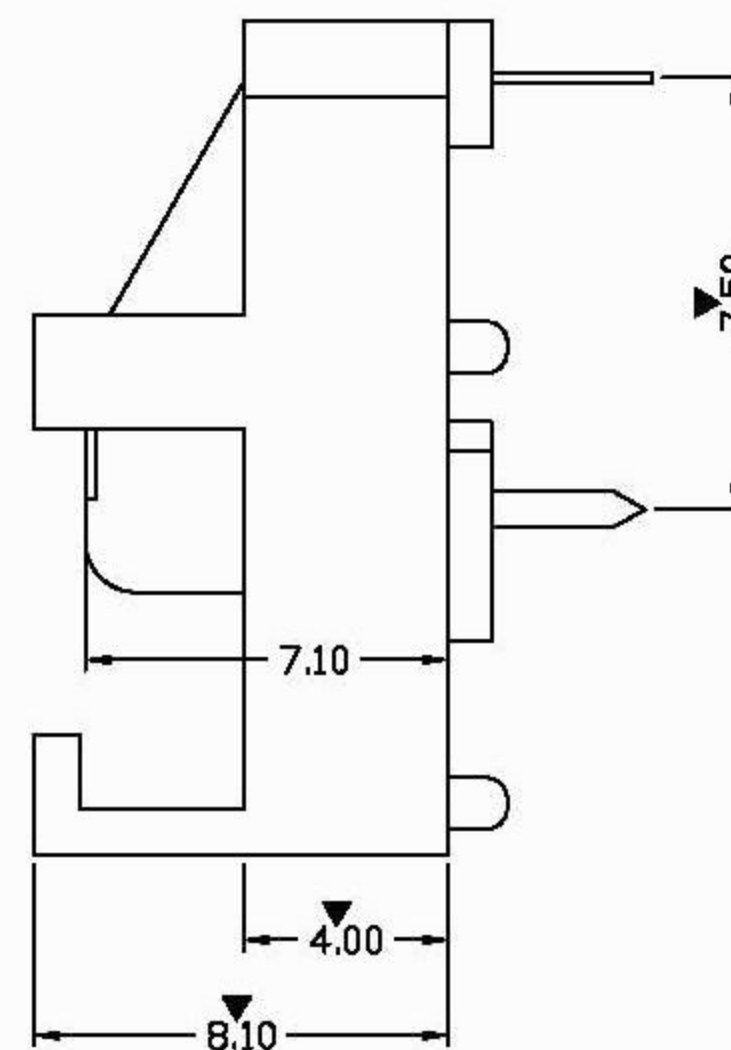
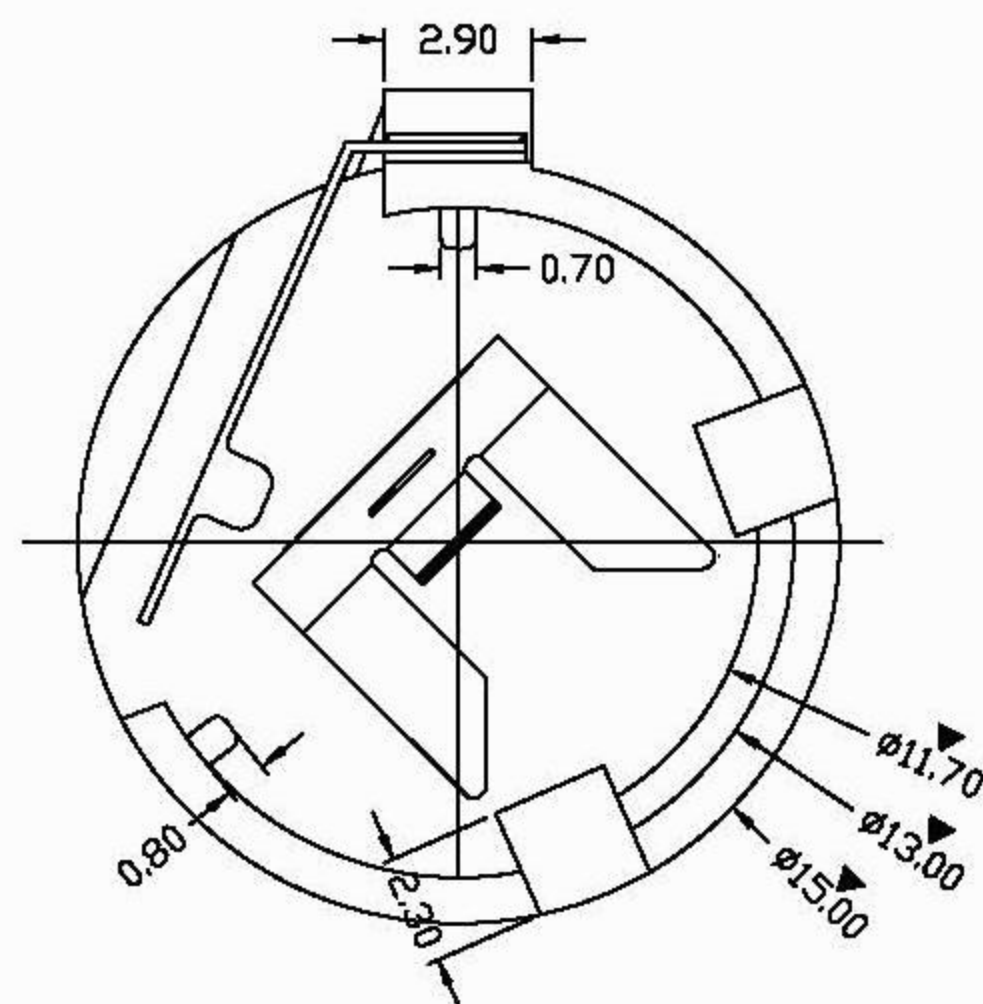
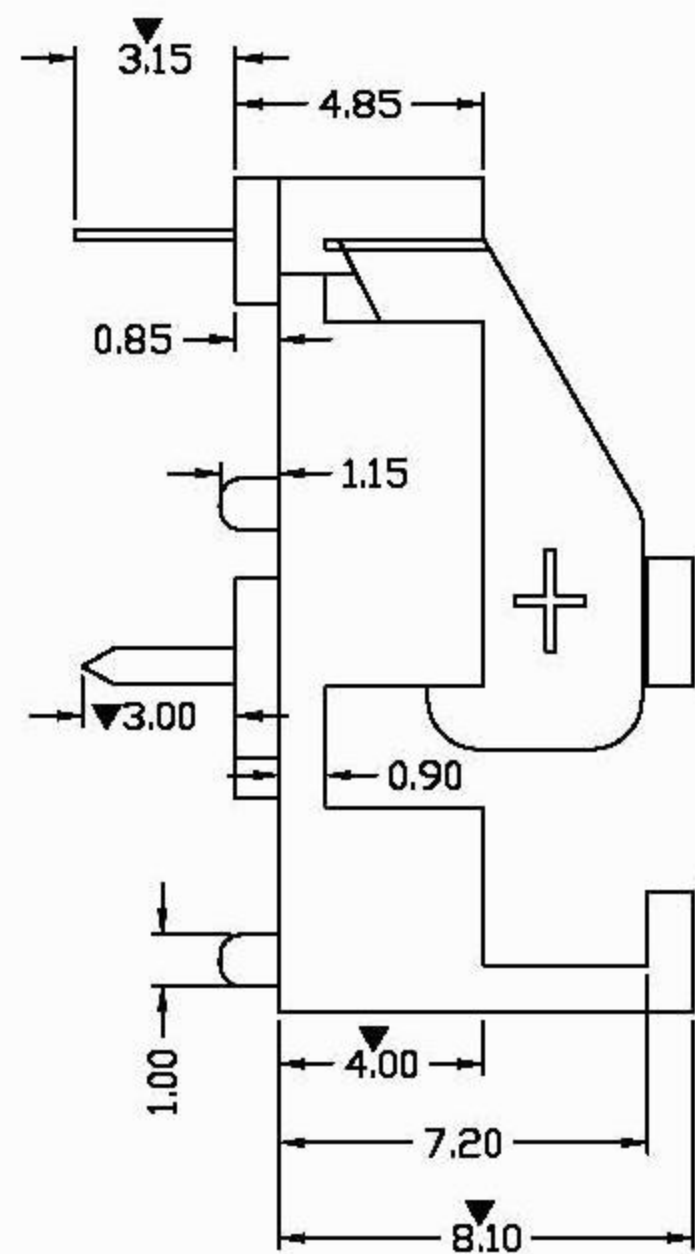


REV.	MATTER	APP.	DATE
A			



NOTE:
 1.MATERIAL:
 a.HOUSING:THERMOPLASTIC GLASS FIBRE UL94V-0
 b.CONTACT:PHOSPHOR BRONZE
 (SURFACE PLATING: Sn100u")
 SEE ORDERING INFORMATION
 2.ELECTRIC:
 a.CONTACT RESISTANCE: 30 MILLIOHMS MAX
 b.INSULATION RESISTANCE: 1000 MEGA OHMS MIN
 c.DIELECTRIC VOLTAGE: 750V AC ONE SEC LEVEL
 d.OPERATING TEMPERATURE: -55° C ~ +85° C

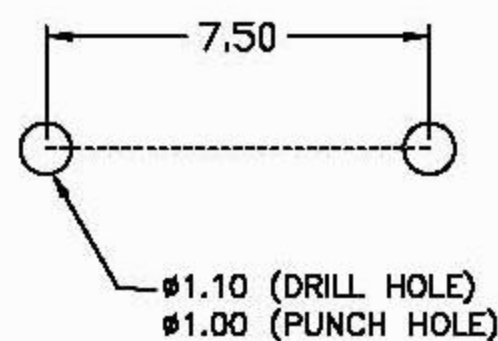
ORDERING INFORMATION

BS-12-A**0*012

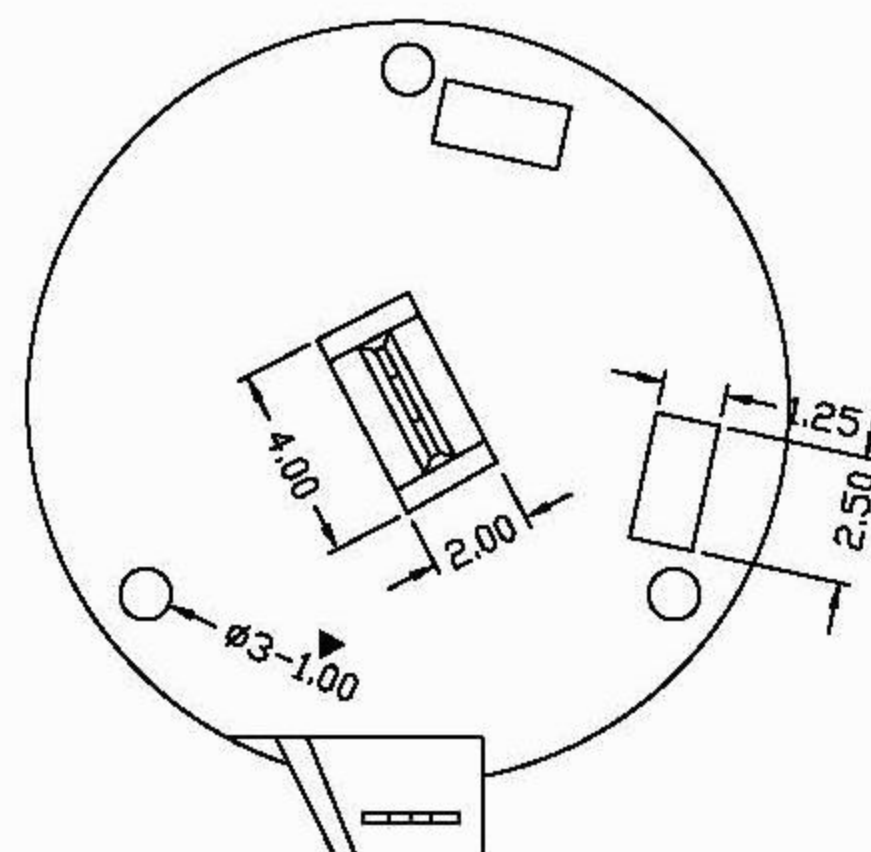
PLATING:
 J-Sn100U"~120U"
 K-Sn150U"
 CRUST:
 O-WITHOUT

电池座系列
 BS-1220系列
 DIP 90° TYPE
 MATERIAL:
 1A-PBT WHITE
 1B-PBT BLACK
 2A-PA66 WHITE
 2B-PA66 BLACK
 6A-PPS WHITE
 6B-PPS BLACK

注: ▼为重点管控尺寸



PCB LAYOUT



深圳市迈洛克实业有限公司

TOLERANCE		DRAWN	UNIT: MM	TITLE: 两PIN 电池座卧式 (BS-1220-1)	
LINEAR	ANGLE			APPROVED	SCALE: 1/1
x. ±1	x.° ±5°	DATE 2008.06.10	SIZE: A4	DWG. NO. BS-1220-1	SHEET. 1 OF 1
.x ±0.30	.x° ±2°				
.xx ±0.20	.xx° ±1°				
.xxx ±0.10					