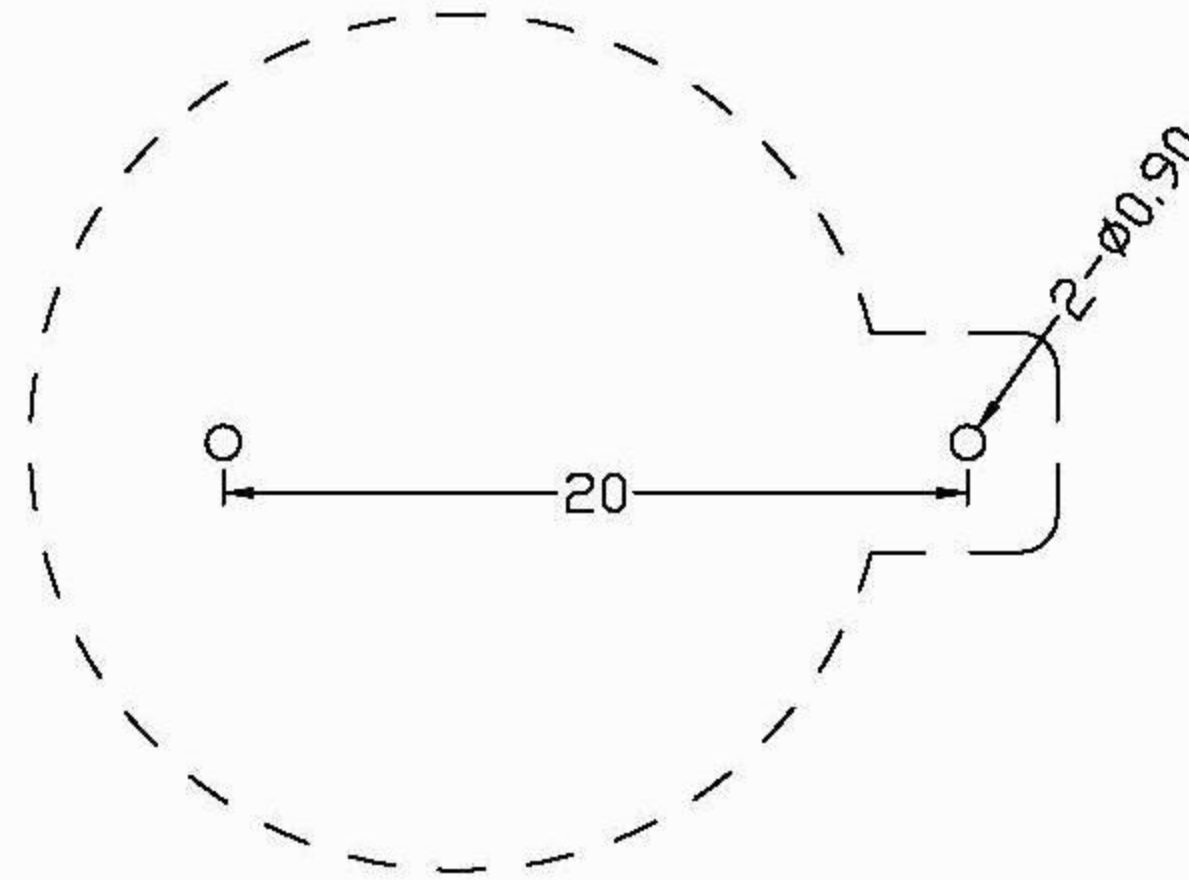
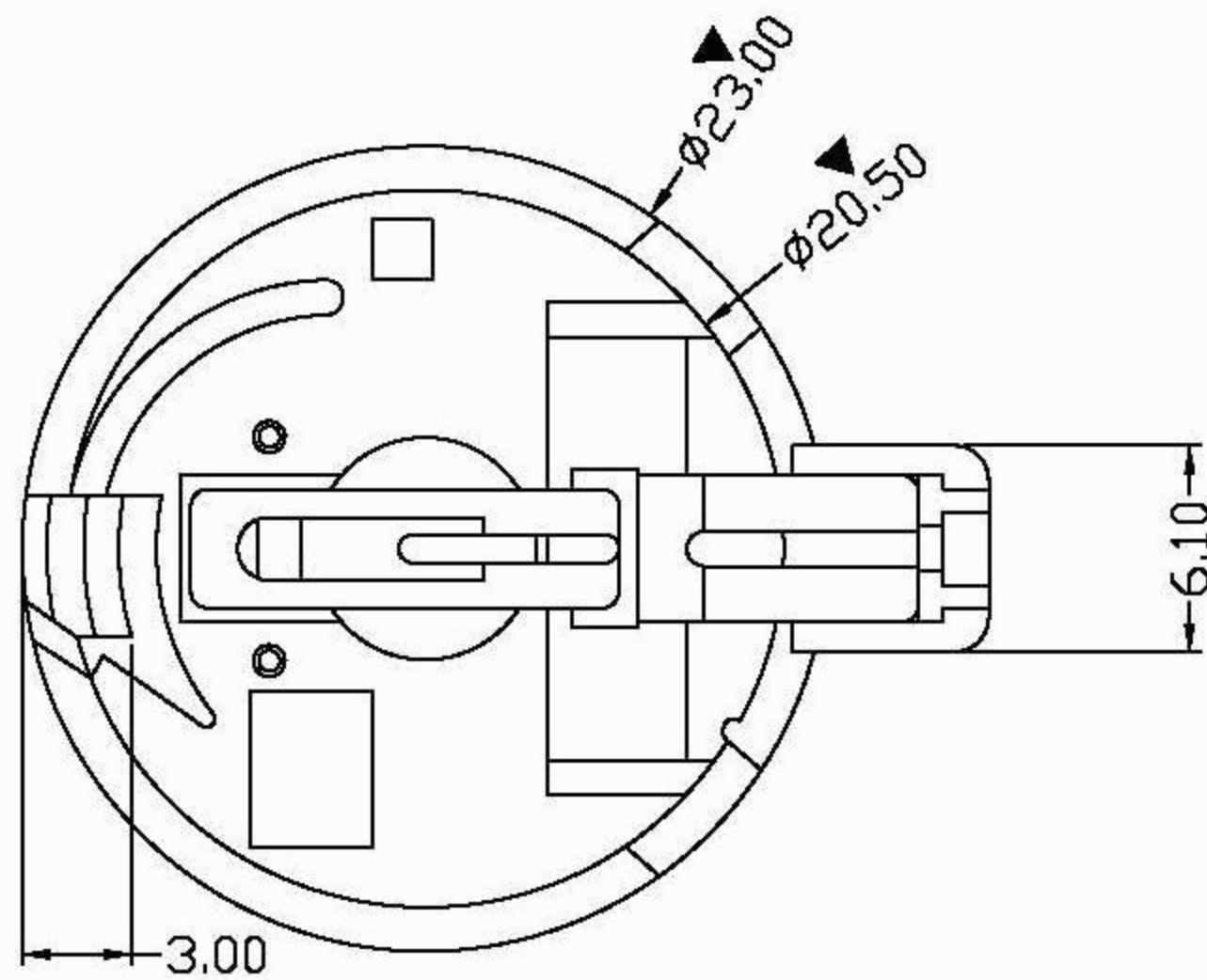


REV.	MATEER	APP.	DATE
A			



PCB LAYOUT

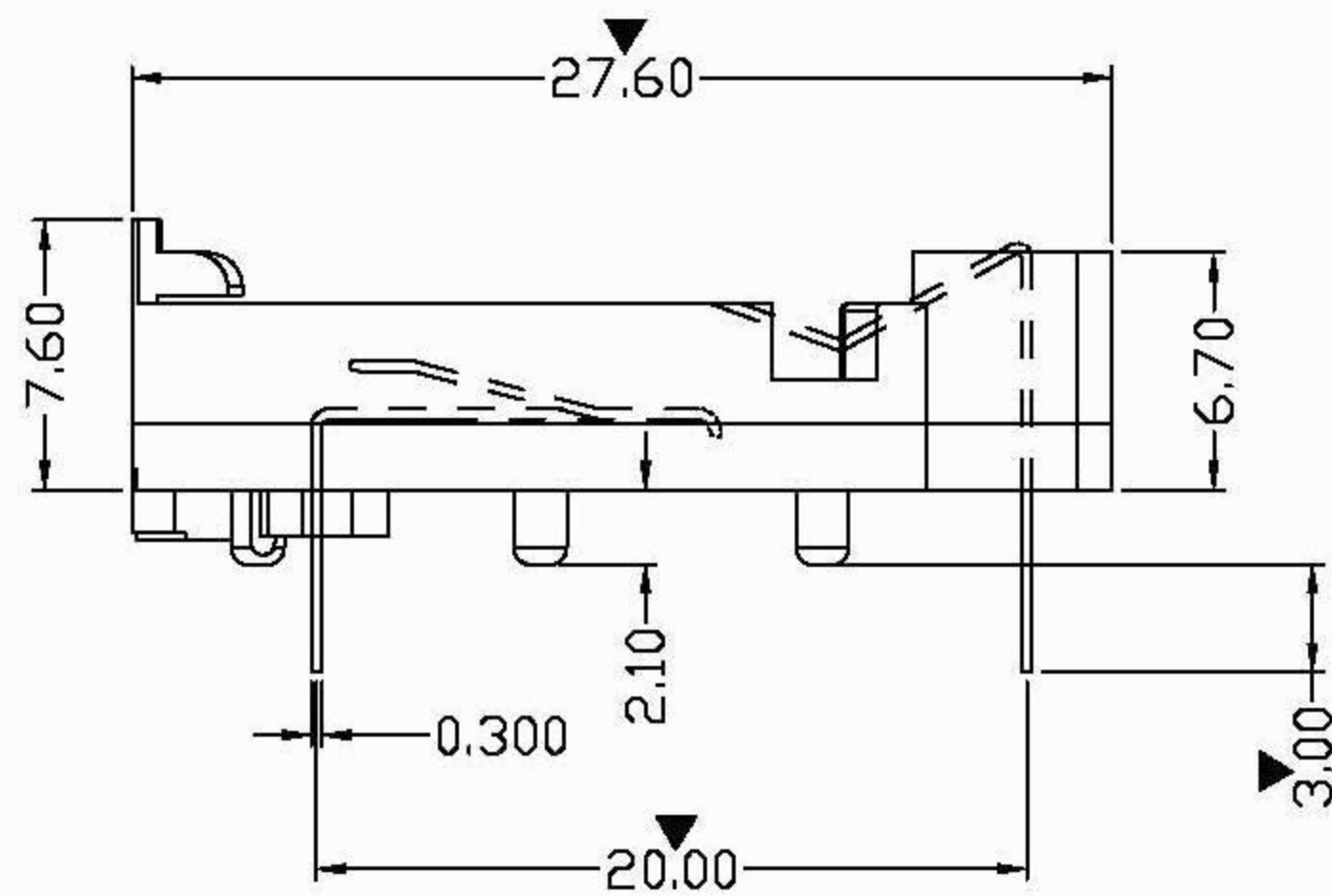
NOTE:  
 1.MATERIAL:  
 a.HOUSING:THERMOPLASTIC GLASS FIBRE UL94V-0  
 b.CONTACT:PHOSPHOR BRONZE (SURFACE PLATING: Sn100u")  
 SEE ORDERING INFORMATION  
 2.ELECTRIC:  
 a.CONTACT RESISTANCE: 30 MILLIOHMS MAX  
 b.INSULATION RESISTANCE: 1000 MEGA OHMS MIN  
 c.DIELECTNIC VOLTAGE: 750V AC ONE SEC LEVEL  
 d.OPERATING TEMPERATURE: -55° C~ +85° C

ORDERING INFORMATION

BS-04-A\*\*0\*004

电池座系列 —  
 BS-4系列 —  
 DIP 90° TYPE —  
 MATERIAL:  
 1A-PBT WHITE  
 1B-PBT BLACK  
 2A-PA66 WHITE  
 2B-PA66 BLACK  
 3A-PA6T WHITE  
 3B-PA6T BLACK  
 PLATING:  
 J-Sn100U"~120U"  
 K-Sn150U"  
 CRUST:  
 O-WITHOUT

注 ▼ 为重点管控尺寸



深圳市迈洛克实业有限公司

TOLERANCE		DRAWN	TITLE: 两PIN电池座卧式 (BS-4-1)	
LINEAR	ANGLE	APPROVED	UNIT: MM	PART NO. BS-4-1
x. ±1	x.° ±5°	DATE 2008.06.10	SCALE: 1/1	REV. A
.x ±0.38	.x' ±2°		SIZE: A4	DWG. NO. BS-4-1
.xx ±0.25	.xx' ±1°			SHEET. 1 OF 1
.xxx ±0.10				