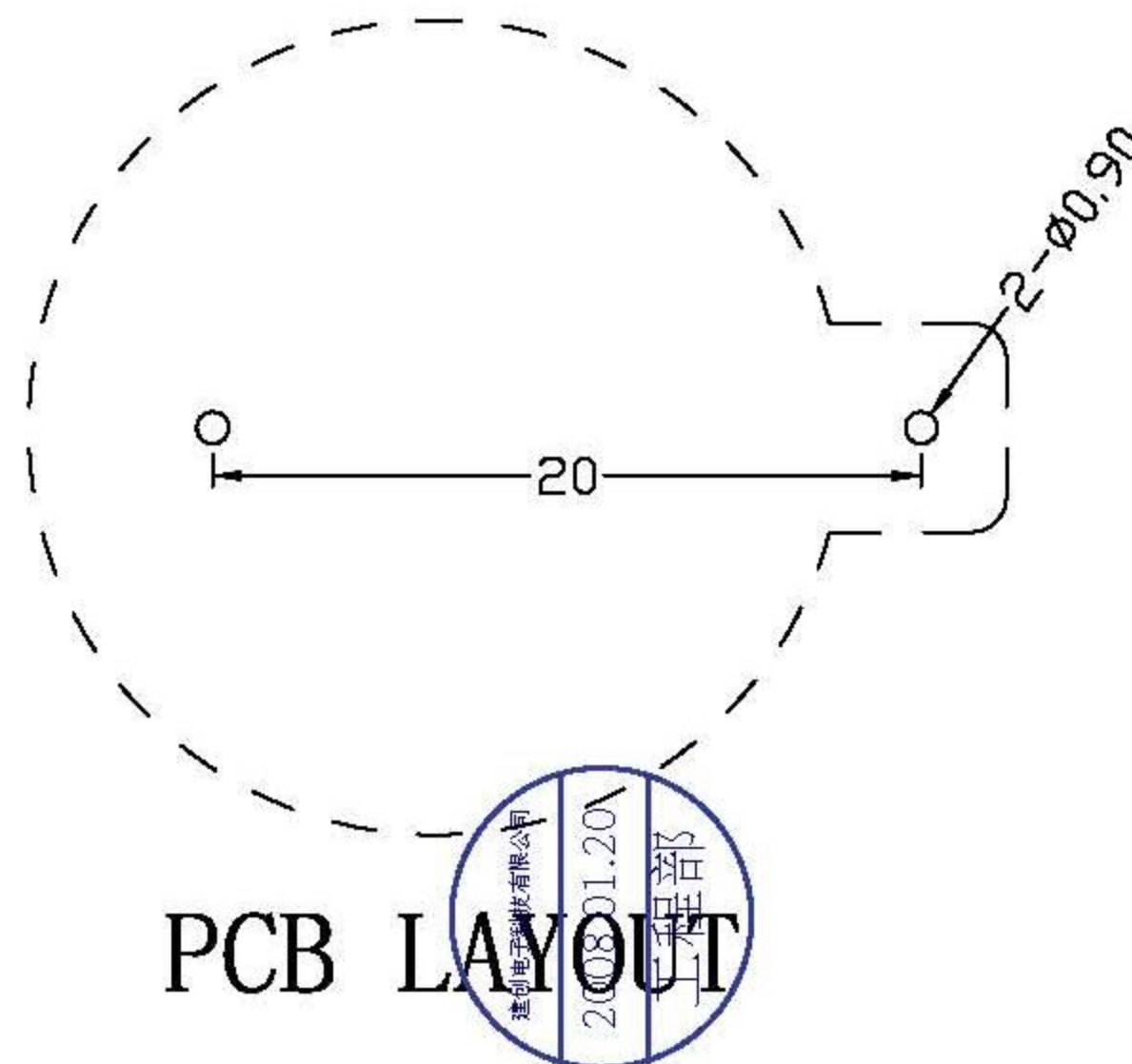
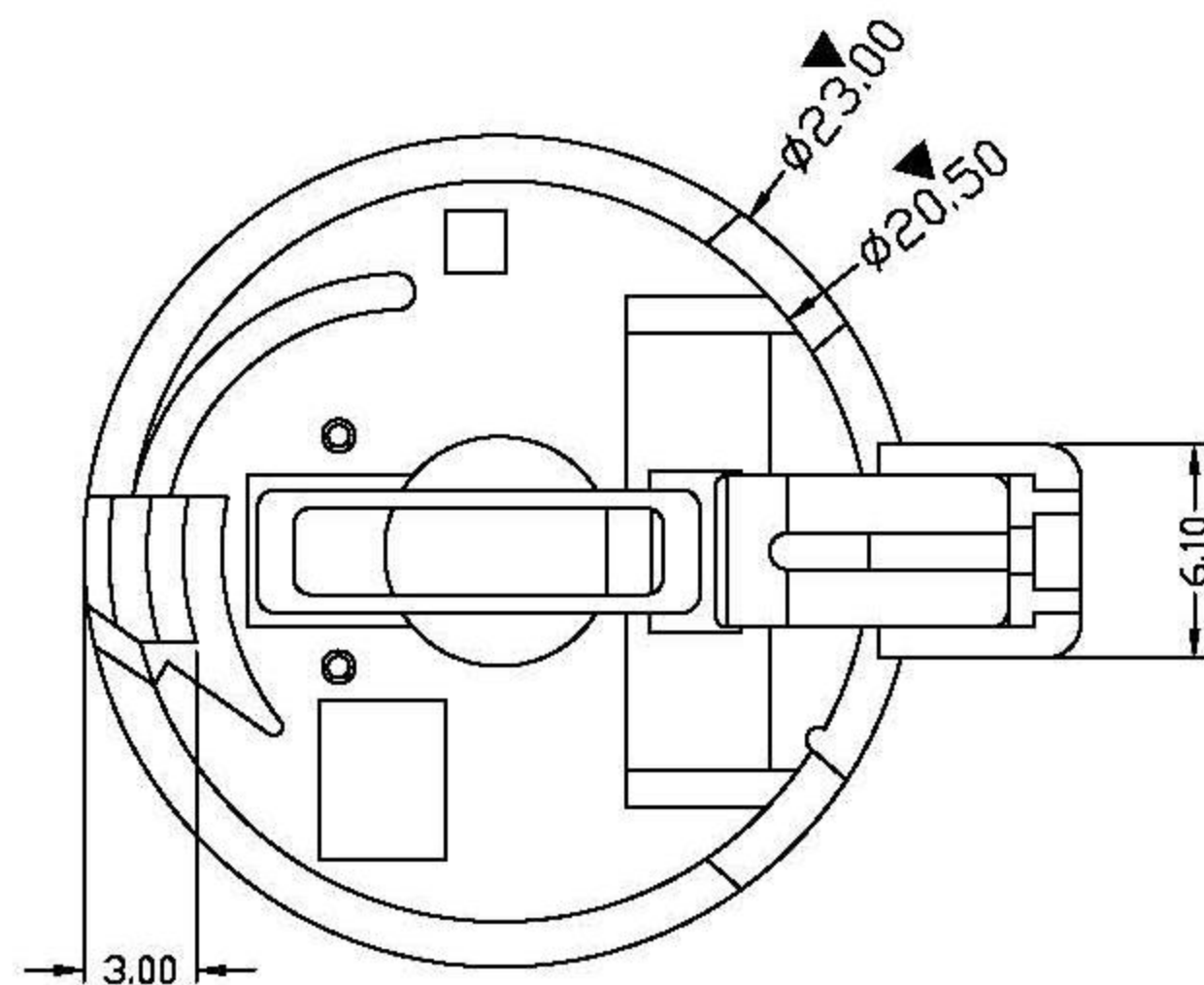


REV.	MATTER	APP.	DATE
A			



PCB LAYOUT

NOTE:  
 1.MATERIAL:  
 a.HOUSING:THERMOPLASTIC GLASS FIBRE UL94V-0  
 b.CONTACT:PHOSPHOR BRONZE (SURFACE PLATING: Sn100u")  
 SEE ORDERING INFORMATION  
 2.ELECTRIC:  
 a.CONTACT RESISTANCE: 30 MILLIOHMS MAX  
 b.INSULATION RESISTANCE: 1000 MEGA OHMS MIN  
 c.DIELECTNIC VOLTAGE: 750V AC ONE SEC LEVEL  
 d.OPERATING TEMPERATURE: -55° C~ +85° C

### ORDERING INFORMATION

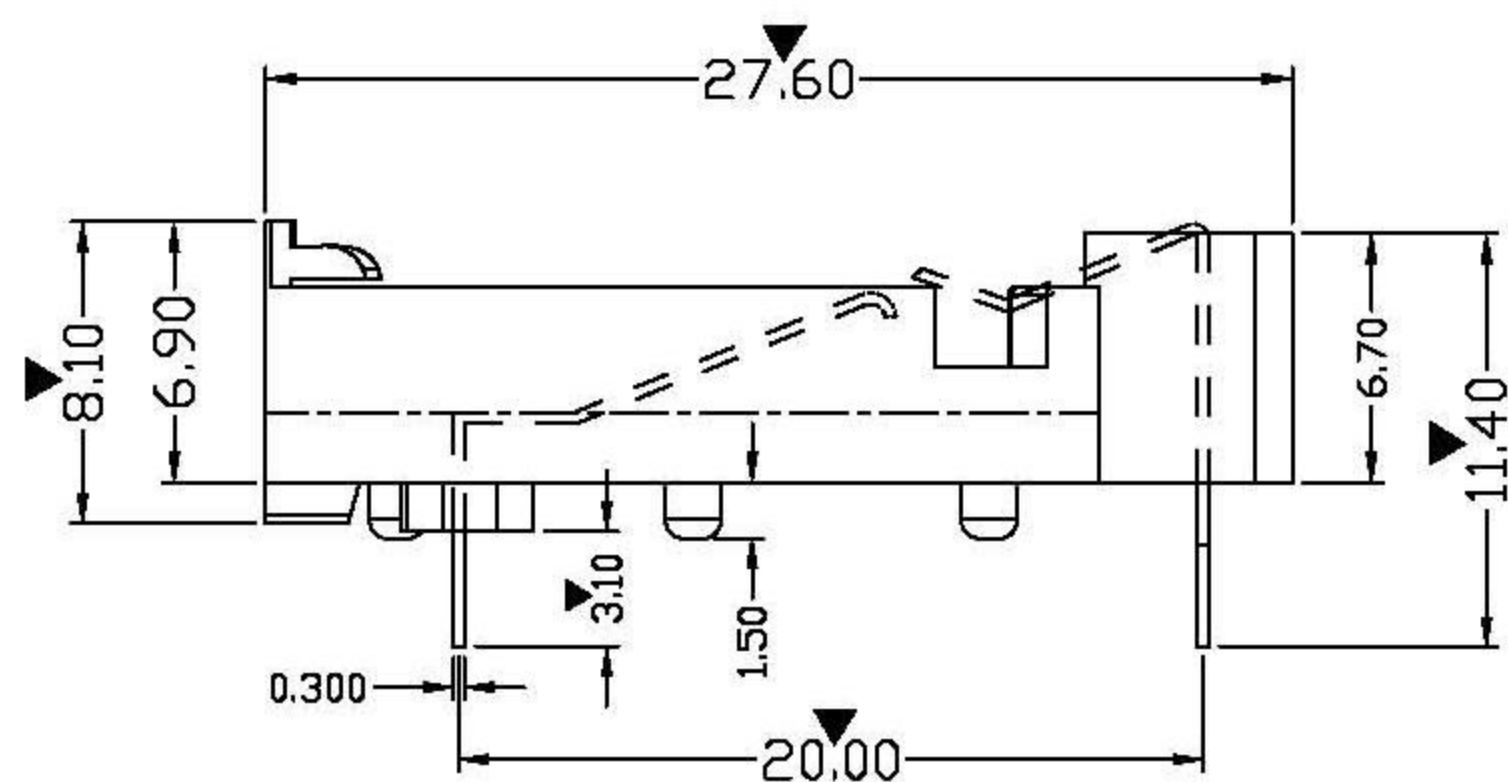
BS-04-A\*\*0\*010

电池座系列 —  
 BS-4系列 —  
 DIP 90° TYPE —  
 MATERIAL:  
 1A-PBT WHITE  
 1B-PBT BLACK  
 2A-PA66 WHITE  
 2B-PA66 BLACK  
 3A-PA6T WHITE  
 3B-PA6T BLACK

PLATING:  
 J-Sn100U"~120U"  
 K-Sn150U"

CRUST:  
 O-WITHOUT

注 ▼ 为重点管控尺寸



## 深圳市迈洛克实业有限公司

TOLERANCE		DRAWN	TITLE:	
LINEAR	ANGLE	毛庆祥	两PIN电池座卧式 (BS-4-2)	
x. ±1	x.° ±5°	APPROVED	UNIT:	PART NO.
.x ±0.38	.x° ±2°		MM	BS-04-A2B0J010
.xx ±0.25	.xx° ±1°	DATE	SCALE:	REV.
.xxx ±0.10		2007.06.16	1/1	A
			SIZE:	DWG. NO.
			A4	BS010-00
				SHEET.
				1 OF 1