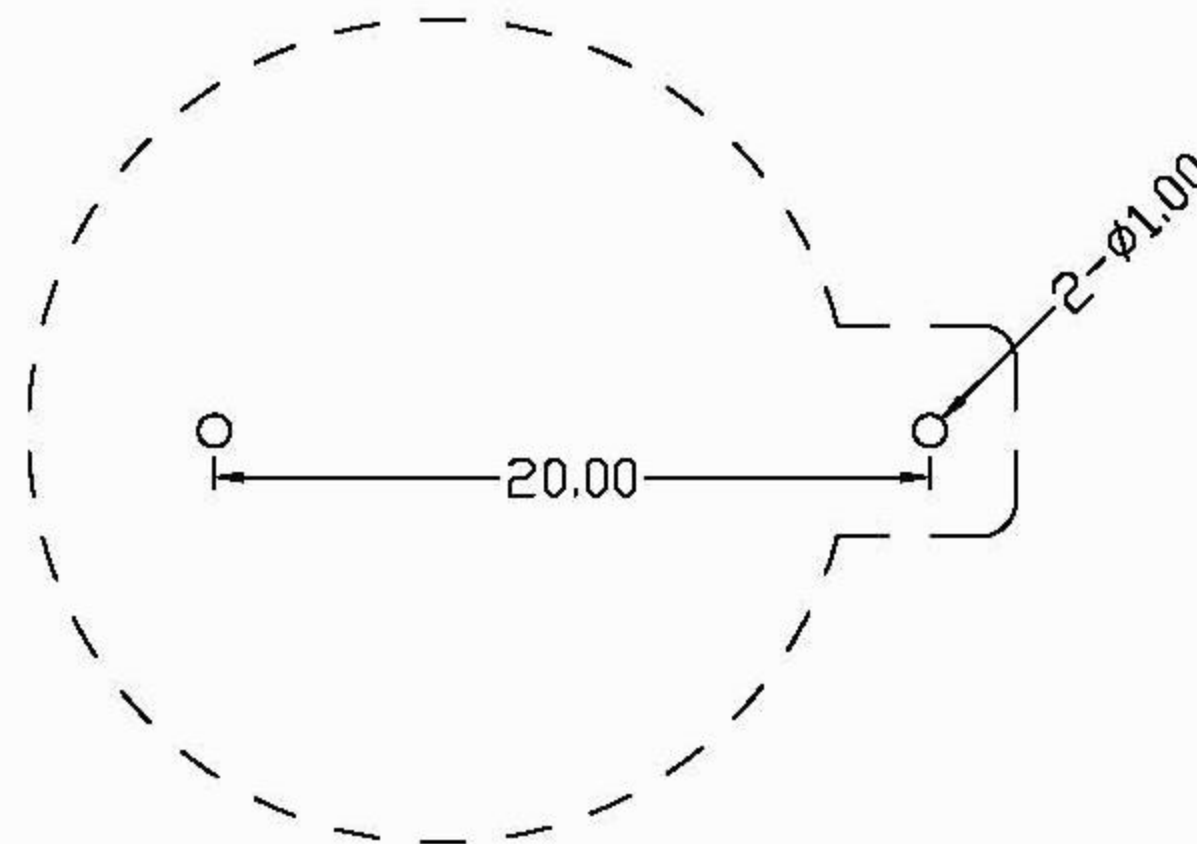
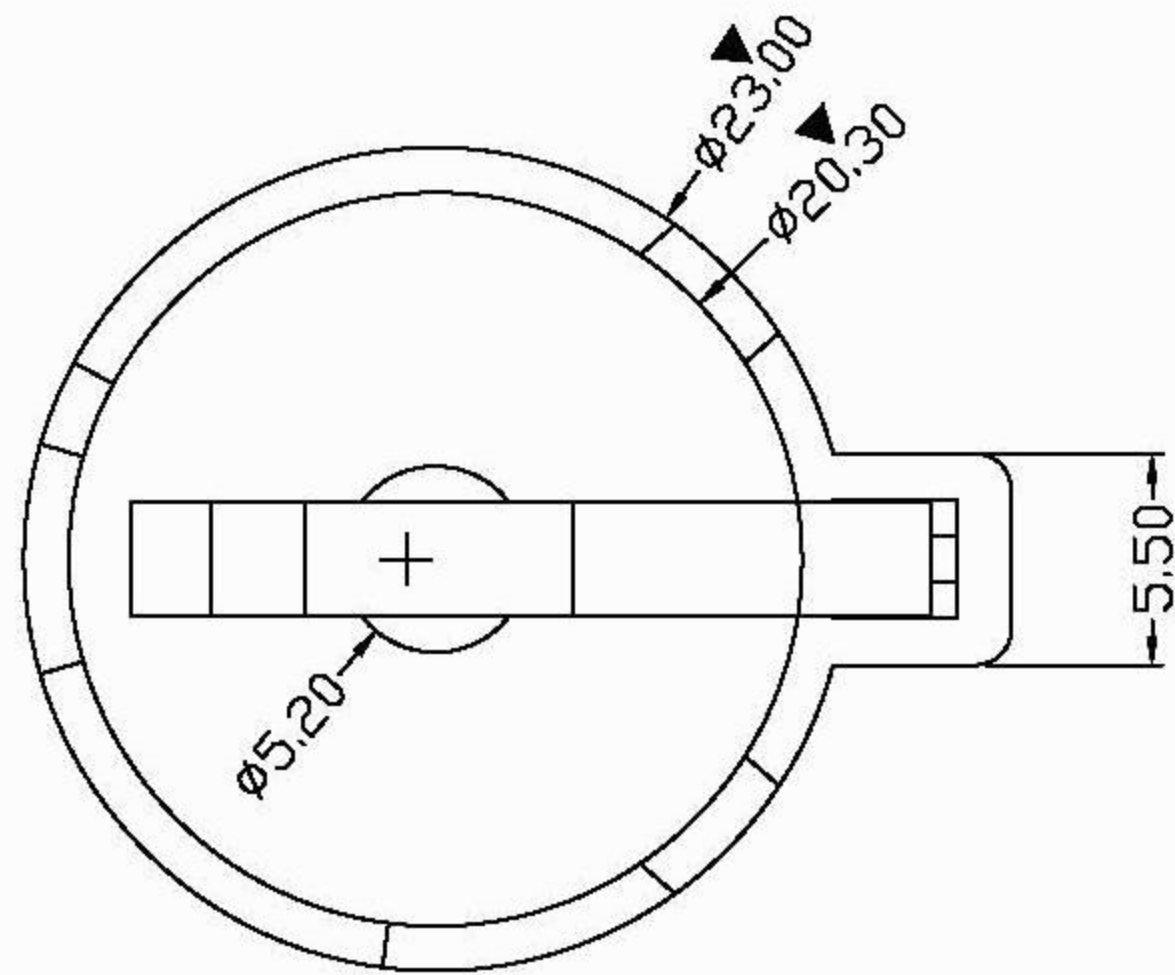


REV.	MATTER	APP.	DATE
A			



PCB LAYOUT

NOTE:
 1.MATERIAL:
 a.HOUSING:THERMOPLASTIC GLASS FIBRE UL94V-0
 b.CONTACT:BRASS
 (SURFACE PLATING: Sn100u")
 SEE ORDERING INFORMATION
 2.ELECTRIC:
 a.CONTACT RESISTANCE: 30 MILLIOHMS MAX
 b.INSULATION RESISTANCE: 1000 MEGA OHMS MIN
 c.DIELECTNIC VOLTAGE: 750V AC ONE SEC LEVEL
 d.OPERATING TEMPERATURE: -55° C~ +85° C

ORDERING INFORMATION

BS-07-A**0*007

电池座系列

BS-7系列

DIP 90° TYPE

MATERIAL:

- 1A-PBT WHITE
- 1B-PBT BLACK
- 2A-PA66 WHITE
- 2B-PA66 BLACK
- 3A-PA6T WHITE
- 3B-PA6T BLACK

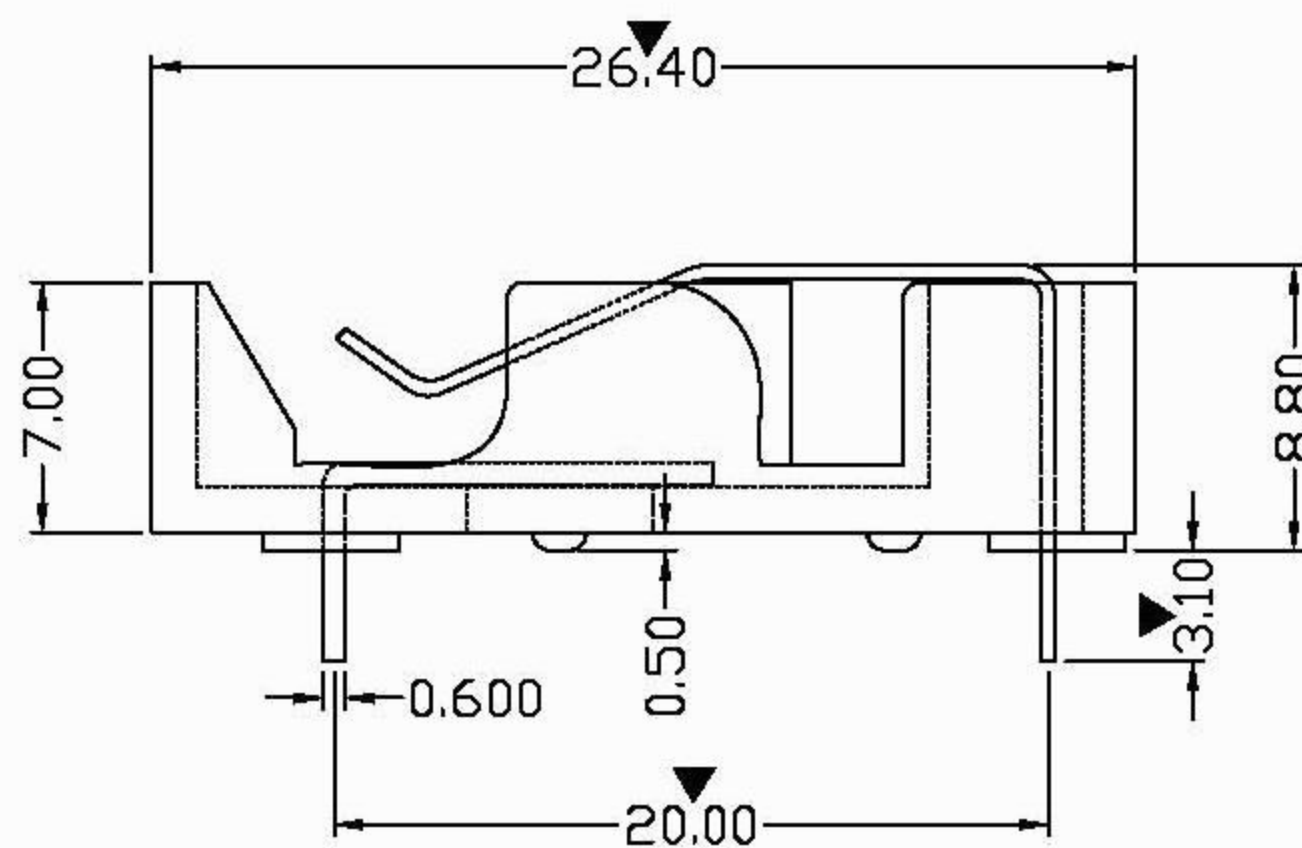
PLATING:

- J-Sn100U"~120U"
- K-Sn150U"

CRUST:

- O-WITHOUT

注: ▼为重点管控尺寸



深圳市迈洛克实业有限公司

TOLERANCE		DRAWN	TITLE:	
LINEAR	ANGLE	J.C.	两PIN电池座卧式(BS-7)	
x. ±1	x.° ±5°	APPROVED	UNIT:	PART NO.
.x ±0.38	.x° ±2°		MM	BS-07-A1B0J007
.xx ±0.25	.xx° ±1°	DATE	SCALE:	REV.
.xxx ±0.10		2007.06.11	1/1	B
			SIZE:	DWG. NO.
			A4	BS007-00
				SHEET.
				1 OF 1