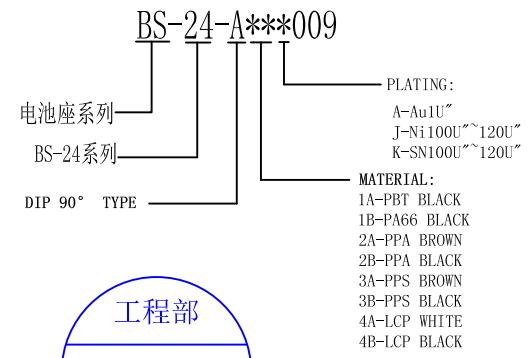




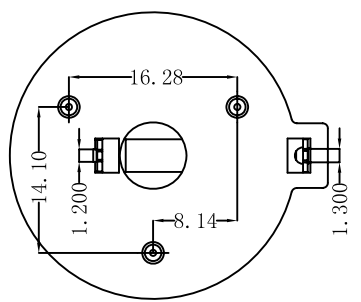
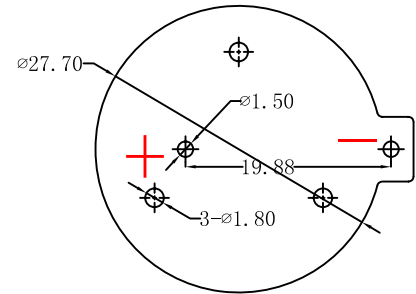
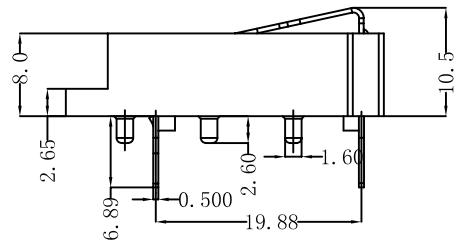
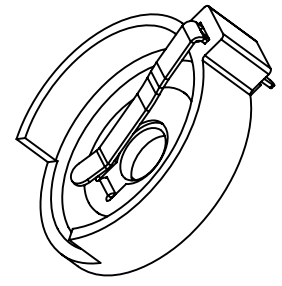
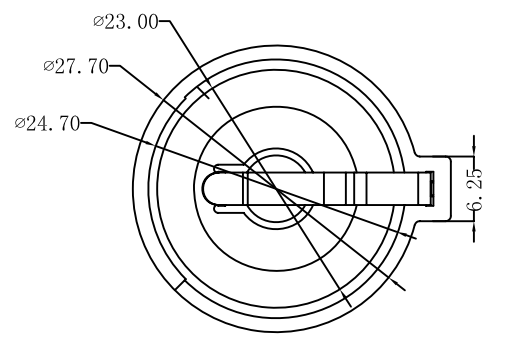
7		8	
REV.	ECN NO.	REVISED	DATE

NOTE:  
 1.MATERIAL:  
 a.HOUSING:THERMOPLASTIC GLASS FIBRE UL94V-0  
 b.CONTACT:PHOSPHOR BRONZE  
 (SURFACE PLATING: Ni100u")  
 SEE ORDERING INFORMATION  
 2.ELECTRIC:  
 a.CONTACT RESISTANCE: 30 MILLIOHMS MAX  
 b.INSULATION RESISTANCE: 1000 MEGA OHMS MIN  
 c.DIELECTNIC VOLTAGE: 500V AC ONE SEC LEVEL  
 d.OPERATING TEMPERATURE: -25°C ~ +85°C

ORDERING INFORMATION



工程部  
 2011. 10. 21  
 ZhouRuiCai



PCB Layout Diagram  
 Top View

NO.	PART NAME	Q'TY	MATERIAL	PLATING & COLOR
3	TERMINAL (-)	1	Mn Steel, T=0.50MM	Ni-Plating
2	TERMINAL (+)	1	Mn Steel, T=0.50MM	Ni-Plating
1	HOUSING	1	PBT	BLACK

UNLESS OTHERWISE SPECIFIED TOLERANCES						
DECIMALS: X : ±0.30 X.X : ±0.25 X.XX : ±0.20 X.XXX : ±0.10	ANGLES: X : ±1° X.X : ±0.5°	SCALE: 1:1	SIZE: A4	VIEW:	PART NO: BS-24-A1AJ009	
WEIGHT: 3.4g		UNIT: mm	REV.: A/O	OBJECT: MY	TITLE: BS-2477-2	
SHEET 1 OF 1		DSND	YangFeng	DATE		2011. 10. 20
		CHKD	ZhouRuicai	DATE		2011. 10. 21
		APVD	XueZhengy	DATE	2011. 10. 21	