



INDEX

DESCRIPTION	TYPE	PAGE
DC-Link	PAN	3
DC-Link	PBN	4-5
DC-Link	PCN	6-8
Metallized Polypropylene Capacitor	PAK	9
Metallized Polypropylene Capacitor	PAT	10
Metallized Polypropylene Capacitor	PAF	11
Metallized Polypropylene Capacitor, Pulse Application	PAD	12
Polypropylene Capacitor With Double Side Metallized Film Electrodes , Box	PDK	13
Double Metallized Polypropylene Capacitor	PDT	14
Double Metallized Polypropylene Capacitor	PDF	15
Double Metallized Polypropylene Capacitor	PDD	16
Metallized Polypropylene Capacitor , Box	PMK	17
Metallized Polypropylene Capacitor , Box	PUK	18
Metallized Polypropylene Capacitor , Round Axial	PMT	19
Metallized Polypropylene Capacitor , Flat Axial	PMF	20
Metallized Polypropylene Capacitor ,Radial Dip	PMD	21
Metallized Polypropylene Capacitor , PFC Filtering , Box	PLK	22
Metallized Polypropylene Capacitor , PFC Filtering	PLD	23
Metallized Polypropylene Capacitor	PND	24
Polypropylene Film Capacitor , Round Axial	POT	25
Metallized Polypropylene Capacitor ,Radial Dip	POD	26
Polypropylene Film Series Capacitors, Dipped	PSS	27-28
Metallized Polyester Capacitor , Box	EMK	29
Metallized Polyester Capacitor , Round Axial	EMT	30
Metallized Polyester Capacitor , Flat Axial	EMF	31
Metallized Polyester Capacitor	EMD	32
Metallized Polyester Capacitor , Miniature Dip , Pitch \geq 10mm	END	33



INDEX

DESCRIPTION	TYPE	PAGE
Metallized Polyester Capacitor , Miniature Dip , Pitch 5mm/7.5mm	MND	34
Metallized Polyester Capacitor , Miniature Box	ESK	35
Metallized Polyester Capacito	ELD	36
Polyester Film Capacitor , Round Axial	EOT	37
Polyester Film Capacitor , Inductive	EOD	38
Polyester Film Capacitor , Inductive	EOL	39
Miscellaneous	CRK/CRD	40
Interference Suppression Capacitor , Class X2 , Miniature Size	PXK	41-42
Farad Capacitor Reference Data		43-58



FARAD manufactures a wide range of Film Capacitor for various application . Before making a choice , please refer to the pictures on inside-cover stipulated with specification profile . For more details , you can check every page according to **INDEX**.

Those types listed in this catalog are our standard products . We are manufacturing customer-design film capacitors. **If you need anything not listed herein , please contact us .**

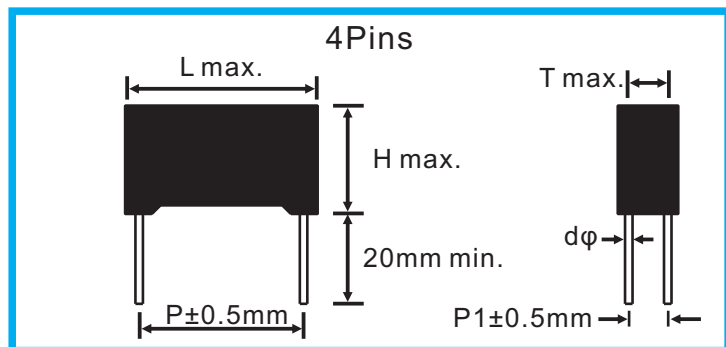
Farad Electronics Co.,Ltd.(Tel:886-2-87872888,Fax:886-2-87875678.E-mail:sales@farad.net,Website:www.farad.net)

Directory can also be applied to MYLAR ELECTRONICS CO., LTD.



METALLIZED POLYPROPYLENE CAPACITOR

DC-Link, NON-INDUCTIVE, FLAME RETARDANT ENCASED



GENERAL SPECIFICATION

1. OPERATING TEMPERATURE:
-40°C~+85°C
2. VOLTAGE RANGE:
700 , 900 and 1100 VDC.
3. CAPACITANCE RANGE:
8~100 Mfd.
(other rating upon request)
4. DIELECTRIC STRENGTH:
150% of rated DC voltage for 10 sec.
5. CAPACITANCE TOLERANCE:
±5% , ±10% and ±20%
6. INSULATION RESISTANCE:
 $RC \geq 10,000 \text{ Meg. Ohm} \times \text{Mfd.}$
7. DISSIPATION FACTOR:
0.35% max. at 1KHz 20±3°C.

APPLICATION

- * DC Filtering / DC-Link.
- * Used in the circuits of converter or inverter.

FEATURES

- * High reliability and excellent long term stability.
- * Low losses and excellent for high ripple current application .
- * Self-healing property.
- * Can replace electrolytic capacitor.
- * Plastics case (UL94 V-0) , Epoxy resin sealing.

$dv/dt(V / \mu\text{sec})$

VDC \ P	37.5	52.5
700	18	13
900	21	16
1100	25	20

P	dφ
52.5	1.2
37.5	1.2

VDC \ Mfd	700					VDC \ Mfd	900					VDC \ Mfd	1100					
	L	T	H	P	P1		L	T	H	P	P1		L	T	H	P	P1	
8	31.0	18.5	31.0	27.5	—	12	41.5	24.0	39.0	37.5	10.2	8	42.0	20.0	40.0	37.5	10.2	
15	42.0	20.0	40.0	37.5	10.2	14	41.5	26.0	39.0	37.5	10.2	10	41.5	27.5	41.0	37.5	10.2	
20	41.5	27.5	41.0	37.5	10.2	16	41.5	27.5	41.0	37.5	10.2	12	41.5	30.0	45.0	37.5	20.3	
22	41.5	27.5	41.0	37.5	10.2	20	41.5	30.0	45.0	37.5	20.3	20	58.0	30.0	45.0	52.5	20.3	
30	41.5	30.0	45.0	37.5	20.3	30	58.0	35.0	46.0	52.5	20.3	25	58.0	35.0	50.0	52.5	20.3	
45	59.0	33.0	43.0	52.5	20.3	40	58.0	35.0	50.0	52.5	20.3	30	59.0	40.0	50.0	52.5	20.3	
50	59.0	35.0	46.0	52.5	20.3	50	59.0	43.0	53.0	52.5	20.3							
55	58.0	35.0	50.0	52.5	20.3													
65	59.0	40.0	50.0	52.5	20.3													
75	59.0	43.0	53.0	52.5	20.3													
95	57.0	45.0	65.0	52.5	20.3													
100	57.0	45.0	65.0	52.5	20.3													

POLYPROPYLENE
PAN
PBN
PCN
PAK
PAT/PAF
PAD/PDK
PDT/PDF
PDD/PMK
PUK/PMT
PMF/PMO
PLK/PLD
PND/POT
POD/PSS

METALLIZED POLYPROPYLENE CAPACITOR

DC-Link, NON-INDUCTIVE, FLAME RETARDANT ENCASED



APPLICATION

- *DC Filtering / DC-Link
- *Used in the circuits of converter or inverter

GENERAL SPECIFICATION

1. OPERATING TEMPERATURE:
-40°C~+85°C
2. VOLTAGE RANGE:
800,900,1100,1300 and 1400 VDC.
3. CAPACITANCE RANGE:
56~220 Mfd (other rating upon request)
4. DIELECTRIC STRENGTH:
150% of rated voltage for 10 sec.
5. CAPACITANCE TOLERANCE:
±10%

FEATURES

- * High reliability and excellent long term stability.
- * Low losses and excellent for high ripple current application.
- * Self-healing property .
- * Can replace electrolytic capacitor.
- * Plastic case (UL94 V-0) , Epoxy resin sealing.

Rated Voltage(Vdc)	C (Mfd)	Dimension		Typical ESR 10KHz (mΩ)	Typical ESL (nH)	Max Irms 55°C (A)
		ΦD	H			
800	150	84.5	50.0	1.0	32.0	58.4
	220	84.5	65.0	1.1	40.0	57.6
900	150	84.5	50.0	1.0	32.0	58.6
	220	84.5	65.0	1.1	40.0	57.8
1100	100	84.5	50.0	1.3	32.0	54.4
	140	84.5	65.0	1.5	40.0	52.0
	150	84.5	76.0	1.5	45.0	53.0
	190	84.5	76.0	1.7	45.0	54.0
1300	70	84.5	50.0	1.4	32.0	52.0
	100	84.5	65.0	1.8	40.0	51.2
	130	84.5	76.0	1.9	45.0	50.2
1400	56	84.5	50.0	1.5	32.0	48.0
	86	84.5	65.0	1.8	40.0	46.4
	95	84.5	76.0	1.9	45.0	46.0

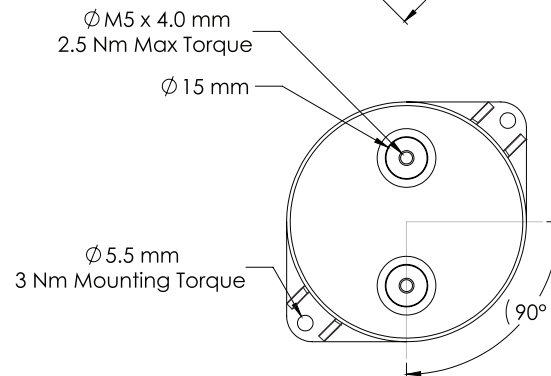
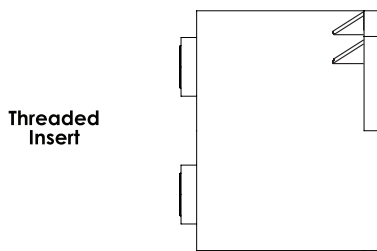
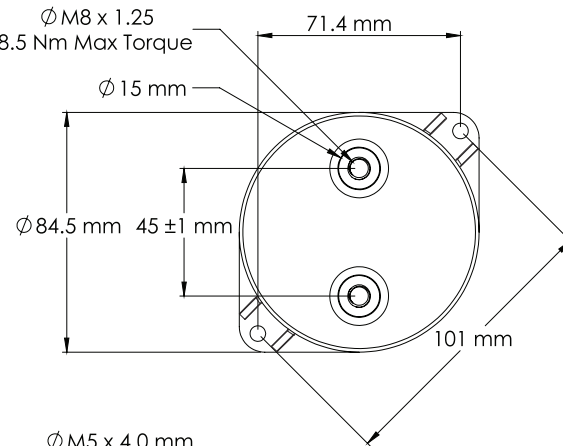
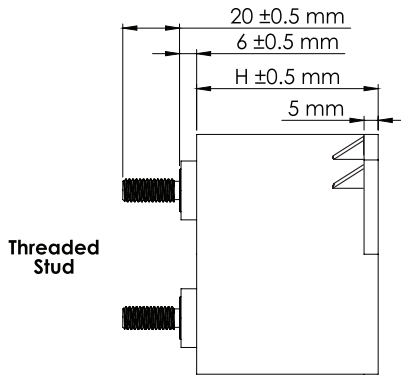
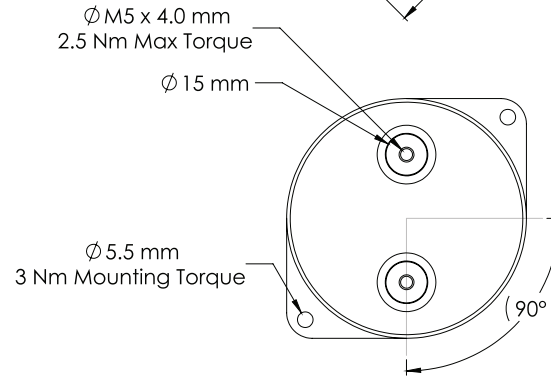
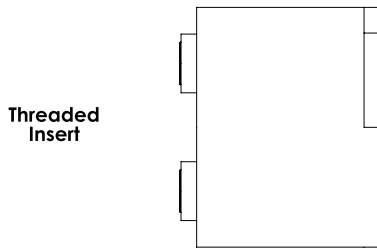
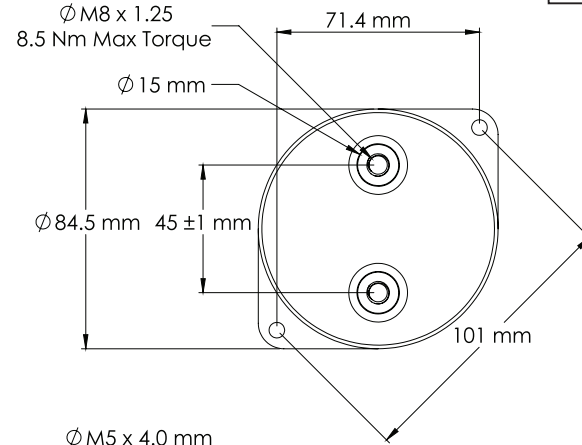
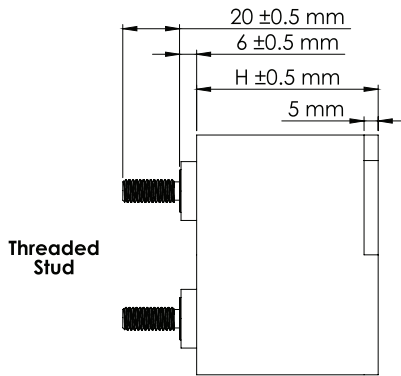


METALLIZED POLYPROPYLENE CAPACITOR

POLYPROPYLENE
PAN
PBN
PCN
PAK
PAT/PAF
PAD/PDK
PDT/PDF
PDD/PMK
PUK/PMT
PMF/PMD
PLK/PLD
PND/POT
POD/PSS

Dimensions

Case Material	Plastic UL94V-0
Resin Material	Dry Resin UL94V-0
Terminal Material	Tin Plated Brass





METALLIZED POLYPROPYLENE CAPACITOR

DC-Link, NON-INDUCTIVE, ALUMINUM CAN FILLING WITH DRY RESIN



GENERAL SPECIFICATION

1. OPERATING TEMPERATURE:
-40°C~+85°C

2. VOLTAGE RANGE:
600,700,800,1000,1100,1300 and 1500 VDC.

3. CAPACITANCE RANGE:
90~1000 Mfd.
(other rating upon request)

4. DIELECTRIC STRENGTH:
150% of rated voltage for 10 sec.

5. CAPACITANCE TOLERANCE:
±10%

APPLICATION

- * Solar energy / wind power generation inverter DC-link smoothly filtering circuit.
- * Used in the circuits of converter or inverter
- * Welders, Elevators, Motor drive systems

FEATURES

- * High reliability and excellent long term stability.
- * Low losses and excellent for high ripple current application.
- * Self-healing property .
- * Can replace electrolytic capacitor.
- * Aluminum case, Filled with resin.

Rated Voltage(Vdc)	C (Mfd)	Dimensin			↑ (A)	MAX Irms			Typical ESR
		ΦD	H	H1		40°C	50°C	60°C	
600	460	76	96	101	1495	65	60	50	1.7
	620	76	120	125	1488	65	58	48	2.1
	750	76	140	145	1485	62	54	49	2.4
	800	76	155	160	2984	65	65	57	1.7
	620	86	96	101	2021	65	65	59	1.5
	860	86	120	125	2055	65	65	55	1.7
	1000	86	137	142	2070	65	60	50	2.0
700	350	76	96	101	1515	65	58	48	1.8
	460	76	120	125	1462	63	55	45	2.3
	560	76	140	145	1321	60	52	45	2.6
	600	76	155	160	2808	65	65	57	1.7
	460	86	96	101	1991	65	65	56	1.5
	630	86	120	125	2016	65	61	51	2.0
	720	86	137	142	2070	65	57	47	2.2
800	280	76	96	101	1475	65	55	45	1.9
	380	76	120	125	1453	62	52	43	2.4
	460	76	140	145	1495	58	50	42	2.7
	360	86	96	101	2800	65	63	54	1.6
	500	86	120	125	1930	65	60	50	2.0
	560	86	137	142	1948	65	57	48	2.2

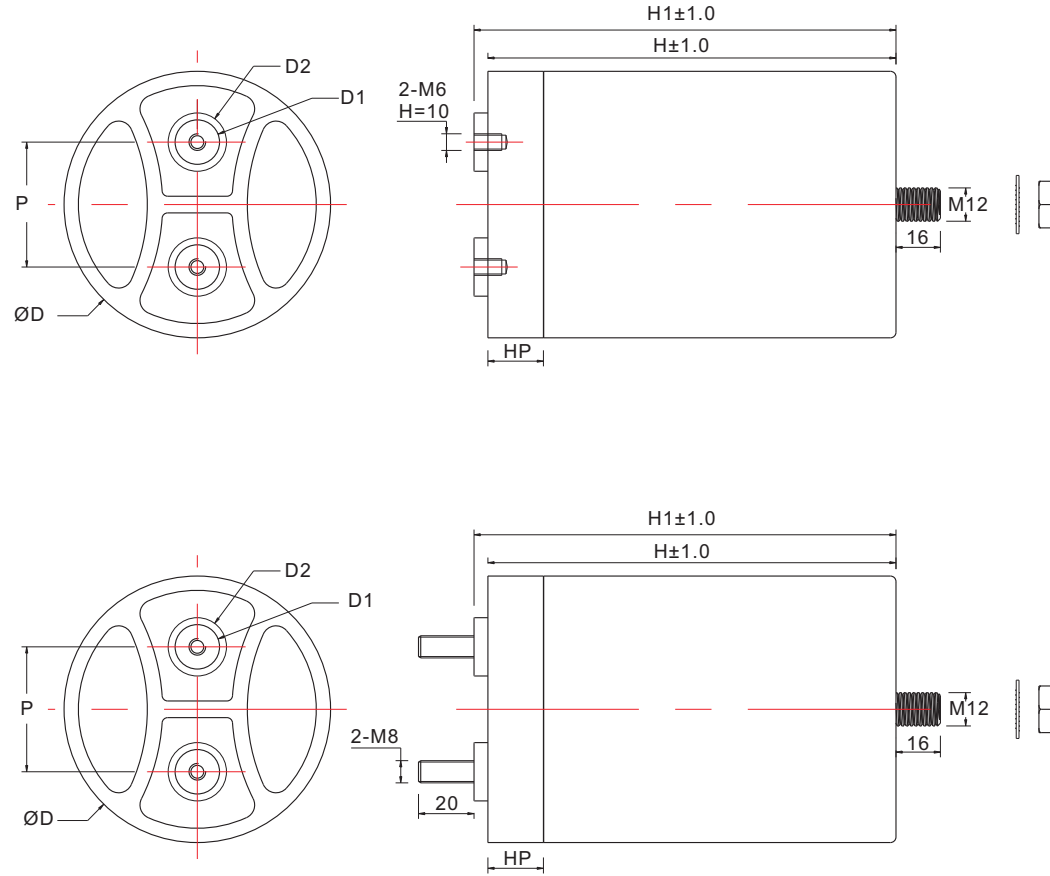


METALLIZED POLYPROPYLENE CAPACITOR

Rated Voltage(Vdc)	C (Mfd)	Dimensin			↑ (A)	MAX Irms			Typical ESR
		ΦD	H	H1		40°C	50°C	60°C	
800	280	76	96	101	1475	65	55	45	1.9
	380	76	120	125	1473	62	52	43	2.4
	460	76	140	145	1495	58	50	42	2.7
	360	86	96	101	2800	65	63	54	1.6
	500	86	120	125	1930	65	60	50	2.0
	560	86	137	142	1948	65	57	48	2.2
1000	220	76	96	101	1460	60	53	45	2.2
	280	76	120	125	1360	53	50	42	3.1
	350	76	140	145	1410	50	46	40	3.5
	280	86	96	101	1860	68	60	50	2.0
	380	86	120	125	1850	64	53	45	2.5
	470	86	137	142	1980	65	58	48	2.4
1100	170	76	96	101	1320	58	50	42	2.5
	230	76	120	125	1310	55	47	40	3.2
	280	76	140	145	1330	50	45	38	3.7
	300	76	155	160	2600	68	62	52	2.1
	220	86	96	101	1710	65	58	50	2.0
	320	86	120	125	1830	60	55	45	2.6
	420	86	137	142	2080	65	54	48	2.5
	430	96	120	125	2490	70	61	50	2.0
	500	96	137	142	2500	68	60	48	2.3
550	96	140	145	2510	68	60	50	2.4	
1300	110	76	96	101	1200	52	45	38	3.1
	160	76	120	125	1280	50	43	36	3.9
	200	76	140	145	1320	45	42	35	4.3
	200	76	155	160	2500	68	61	52	2.2
	160	86	96	101	1740	61	54	43	2.4
	220	86	120	125	1760	56	50	42	3.0
	260	86	137	142	1780	55	50	41	3.1
	200	96	96	101	2160	67	58	48	2.0
	260	96	120	130	2070	65	56	45	2.3
	320	96	137	142	2190	63	54	43	2.5
	350	96	140	145	2270	65	55	43	2.5
1500	90	76	96	101	1200	46	42	35	3.3
	120	76	120	125	1180	45	40	33	4.6
	150	76	140	145	1200	42	36	30	5.0
	150	76	155	160	2300	65	56	46	2.6
	120	86	96	101	1630	56	50	41	2.7
	170	86	120	125	1690	52	46	38	3.5
	200	86	137	142	1720	55	45	40	3.2
	160	96	96	101	2100	65	55	45	2.1
	210	96	120	125	2040	62	52	43	2.5
	240	96	137	142	2050	61	50	40	2.7

POLYPROPYLENE
PAN
PBN
PCN
PAK
PAT/PAF
PAD/PDK
PAD/PDF
PDT/PDF
PDD/PMK
PUK/PMT
PLK/PLD
PND/POT
POD/PSS

METALLIZED POLYPROPYLENE CAPACITOR



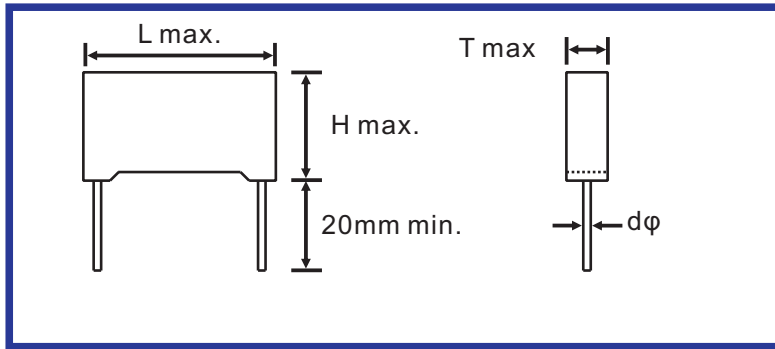
Remark of dimensions

ϕ D=76mm	P=32mm ; D1=16mm ; D2=21mm ; HP=20mm
ϕ D=86mm	P=32mm ; D1=16mm ; D2=21mm ; HP=20mm
ϕ D=96mm	P=45mm ; D1=16mm ; D2=21mm ; HP=20mm
ϕ D=116mm	P=50mm ; D1=16mm ; D2=21mm ; HP=20mm
ϕ D=136mm	P=50mm ; D1=16mm ; D2=21mm ; HP=20mm



METALLIZED POLYPROPYLENE CAPACITOR

NON-INDUCTIVE, EXTENDED FOIL, FLAME RETARDANT ENCASED



APPLICATION

*High frequency tuning, yoke coupling, voltage retrace in T.V. and monitor circuit, electronic ballasts.

FEATURES

- * Very low dissipation factor, suitable for high frequency application.
- * Negative temperature coefficient.
- * High reliability and high insulation resistance.
- * Very high dv/dt value

GENERAL SPECIFICATION

1. OPERATING TEMPERATURE:
-40°C~+105°C
Derate DC voltage 1.5%/°C above 85°C to 105°C
2. VOLTAGE RANGE:
600 , 1000,1200,1600 and 2000 VDC.
3. CAPACITANCE RANGE:
0.01~2.0 Mfd.
4. CAPACITANCE TOLERANCE
±10%(K)
5. INSULATION RESISTANCE
C<0.33Mfd. R≥100,000MΩ
C≥0.33Mfd. RC≥30,000MΩ X Mfd
6. DISSIPATION FACTOR
≤0.1%(AT 1.0KHz).
7. DIELECTRIC STRENGTH
160% of rated voltage for 2 sec.

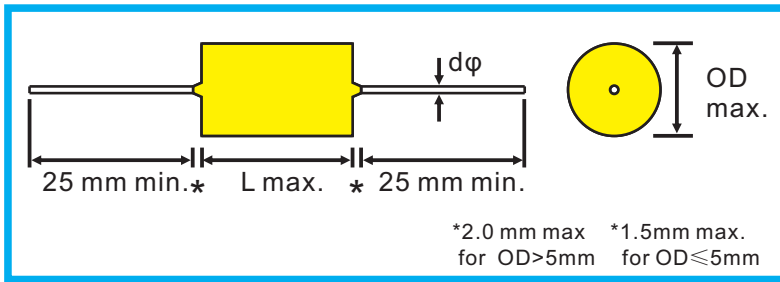
VDC Mfd	600/630 VDC			1000 VDC			1200 VDC			1600 VDC			2000 VDC		
	L	T	H	L	T	H	L	T	H	L	T	H	L	T	H
0.010	18.0	5.0	11.0	18.0	8.5	14.5	18.0	9.5	15.5	26.5	8.5	17.0	31.0	9.0	18.0
0.015	18.0	6.0	12.0	18.0	9.5	15.5	18.0	11.0	18.5	26.5	10.0	19.0	32.0	11.0	20.0
0.022	18.0	7.5	13.5	18.0	11.0	18.5	18.0	12.5	21.0	26.5	13.0	23.0	32.0	13.0	22.0
0.033	18.0	9.5	15.5	26.5	10.0	19.0	26.5	11.0	20.0	32.0	13.0	22.0	31.0	15.0	24.5
0.047	18.0	10.0	18.0	26.0	11.0	20.0	26.5	13.0	23.0	31.0	14.0	25.0	32.0	18.0	28.0
0.068	26.5	8.5	17.0	26.5	14.0	23.0	31.0	14.0	25.0	32.0	18.0	28.0	31.0	22.0	31.0
0.10	26.5	10.0	19.0	31.0	14.0	23.5	32.0	16.0	25.5	31.0	22.0	31.0	41.5	22.5	35.5
0.15	32.0	11.0	20.0	31.0	15.5	29.0	31.0	20.0	30.5	41.5	22.5	35.5	41.5	27.5	41.0
0.22	32.0	13.0	22.0	31.0	20.0	30.5	41.5	20.5	34.0	41.5	26.0	39.0	42.5	33.0	45.0
0.33	32.0	16.0	25.5	41.5	20.5	34.0	41.5	24.0	39.0	42.5	33.0	45.0			
0.47	32.0	18.0	28.0	41.5	26.0	39.0	41.5	30.0	45.0						
0.56	31.0	20.0	30.5	41.5	27.5	41.0	42.5	33.0	45.0						
0.68	31.0	22.0	31.0	41.5	30.0	45.0									
0.82	43.0	22.0	30.0	42.5	33.0	45.0									
1.00	41.5	22.5	35.5												
1.50	41.5	27.5	41.0												
2.00	42.5	33.0	45.0												

POLYPROPYLENE
PAN
PBN
PCN
PAK
PAT/PAF
PAD/PDK
PDT/PDF
PDD/PMK
PUK/PMT
PMF/PMD
PLK/PLD
PND/POT
POD/PSS



METALLIZED POLYPROPYLENE CAPACITOR

NON-INDUCTIVE, EXTENDED FOIL, PULSE APPLICATION, WRAP & FILL WITH EPOXY RESIN



APPLICATION

High frequency tuning, yoke coupling, voltage retrace in T.V. and monitor circuit, electronic ballasts.

FEATURES

- * Very low dissipation factor, suitable for high frequency application.
- * Negative temperature coefficient.
- * High reliability and high insulation resistance.
- * Very high dv/dt value.

GENERAL SPECIFICATION

1. OPERATING TEMPERATURE:

-40°C ~ +105°C

Derate DC voltage 1.5%/°C above 85°C to 105°C

2. VOLTAGE RANGE:

600, 1000, 1200, 1600 and 2000 VDC

3. CAPACITANCE RANGE:

0.01 ~ 2.2 Mfd.

4. CAPACITANCE TOLERANCE:

±10% (K)

5. INSULATION RESISTANCE:

$C < 0.33Mfd, R \geq 100,000 M\Omega$

$C \geq 0.33Mfd, RC \geq 30,000 M\Omega \times Mfd$

6. DISSIPATION FACTOR:

≤ 0.1% (AT 1.0KHz)

7. DIELECTRIC STRENGTH

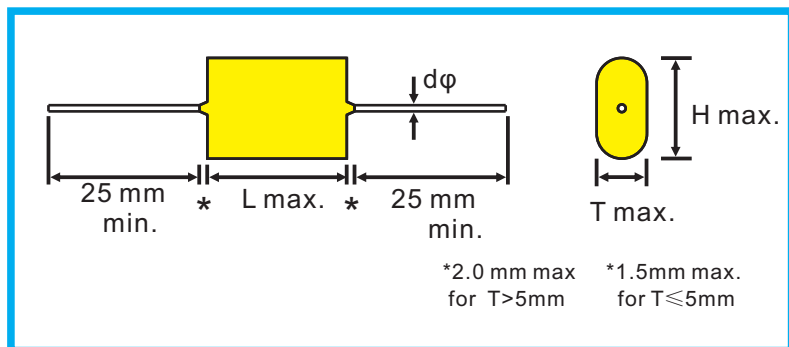
160% of rated voltage for 2 sec.

VDC \ Mfd	600 /630VDC		1000 VDC		1200 VDC		1600 VDC		2000 VDC	
	OD	L	OD	L	OD	L	OD	L	OD	L
0.010							13.0	28.0	13.0	34.0
0.015							15.0	28.0	15.0	34.0
0.022							14.5	34.0	17.0	34.0
0.033							16.5	34.0	19.5	34.0
0.047							19.0	34.0	19.0	47.0
0.068							22.0	34.0	22.0	47.0
0.10			17.5	34.0	20.5	34.0	26.0	34.0	26.0	47.0
0.15	14.5	34.0	21.0	34.0	24.5	34.0	25.0	47.0	31.0	47.0
0.22	17.0	34.0	24.5	34.0	28.5	34.0	29.0	47.0	33.0	55.0
0.33	20.0	34.0	23.5	47.0	27.5	47.0	35.0	47.0	39.5	55.0
0.47	23.0	34.0	27.5	47.0	32.0	47.0	37.0	55.0		
0.56	25.0	34.0	30.0	47.0	31.5	55.0				
0.68	27.5	34.0	32.5	47.0	34.0	55.0				
0.82	23.5	47.0	31.5	55.0						
1.00	26.0	47.0	35.0	55.0						
1.50	31.0	47.0								
2.00	31.5	55.0								
2.20	33.0	55.0								



METALLIZED POLYPROPYLENE CAPACITOR

NON-INDUCTIVE, EXTENDED FOIL, PULSE APPLICATION, FLAT OVAL SHAPE



APPLICATION

High frequency tuning, yoke coupling, voltage retrace in T.V. and monitor circuit, electronic ballasts.

FEATURES

- *Very low dissipation factor, suitable for high frequency application.
- *Negative temperature coefficient.
- *High reliability and high insulation resistance.
- *Very high dv/dt value.

GENERAL SPECIFICATION

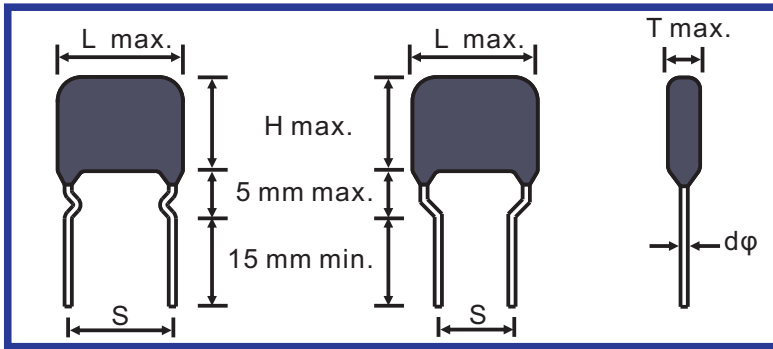
- OPERATING TEMPERATURE:**
-40°C~+105°C
Derate DC voltage 1.5%/°C above 85°C to 105°C
- VOLTAGE RANGE:**
600, 1000, 1200, 1600 and 2000VDC
- CAPACITANCE RANGE:**
0.01~2.2 Mfd.
- CAPACITANCE TOLERANCE:**
±10%(K)
- INSULATION RESISTANCE:**
C<0.33Mfd, R_z ≥ 100,000 MΩ
C≥0.33Mfd, RC≥30,000 MΩ X Mfd
- DISSIPATION FACTOR:**
≤0.1% (AT 1.0KHz)
- DIELECTRIC STRENGTH**
160% of rated voltage for 2 sec.

VDC Mfd	600/630 VDC			1000 VDC			1200 VDC			1600 VDC			2000 VDC		
	L	T	H	L	T	H	L	T	H	L	T	H	L	T	H
0.010										28.0	9.5	14.0	34.0	9.5	14.5
0.015										28.0	12.0	16.0	34.0	11.5	16.0
0.022										34.0	11.0	16.0	34.0	13.5	18.5
0.033										34.0	13.5	18.5	34.0	15.5	22.0
0.047										34.0	16.0	21.0	47.0	13.5	23.0
0.068										34.0	19.0	24.0	47.0	17.0	26.0
0.10				34.0	14.5	19.5	34.0	17.5	22.0	34.0	21.0	28.5	47.0	20.0	30.0
0.15	34.0	12.0	17.0	34.0	18.0	22.0	34.0	21.0	26.0	47.0	20.0	28.0	47.0	25.0	35.0
0.22	34.0	14.0	19.0	34.0	21.5	26.5	34.0	25.5	30.5	47.0	24.5	33.0	55.0	27.0	36.5
0.33	34.0	17.0	21.5	47.0	18.0	27.5	47.0	22.5	30.5	47.0	29.5	39.0	55.0	34.0	43.0
0.47	34.0	20.0	24.5	47.0	21.5	31.5	47.0	26.5	35.5	55.0	31.5	41.0			
0.56	34.0	21.5	27.0	47.0	24.0	33.5	55.0	25.5	35.0						
0.68	34.0	24.0	29.0	47.0	26.5	36.5	55.0	28.0	37.5						
0.82	47.0	19.5	26.0	55.0	26.0	35.5									
1.00	47.0	22.0	28.5	55.0	29.0	38.5									
1.50	47.0	27.0	33.0												
2.00	55.0	26.5	35.0												
2.20	55.0	28.0	36.0												

POLYPROPYLENE
PAN
PBN
PCN
PAK
PAT/PAF
PAD/PDK
PDT/PDF
PDD/PMK
PUK/PMT
PMF/PMD
PLK/PLD
PND/POT
POD/PSS

METALLIZED POLYPROPYLENE CAPACITOR

METALLIZED FILM, EXTENDED FOIL, PULSE APPLICATION, EPOXY DIP COATED



APPLICATION

*High frequency tuning, yoke coupling, voltage retrace in T.V. and monitor circuit, electronic ballasts.

FEATURES

- * Very low dissipation factor, suitable for high frequency application.
- * Negative temperature coefficient.
- * High reliability and high insulation resistance.
- * Miniature size
- * Very high dv/dt value

Maximum pulse rise time(dv/dt) V / μsec

VDC \ S	15.0	20.0	22.5	27.5
1200	12000	8500	7000	4500
1600	14000	11000	9000	5500
2000	17000	14000	12000	7000

GENERAL SPECIFICATION

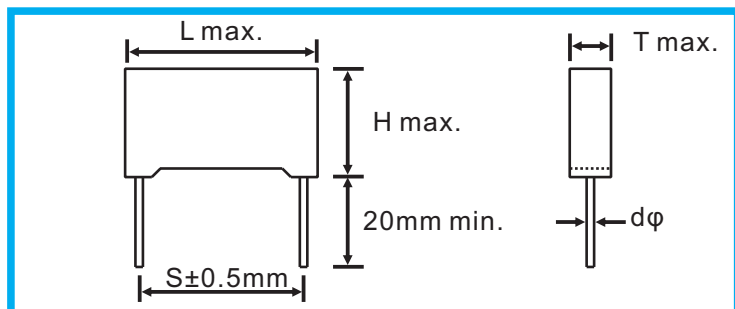
1. OPERATING TEMPERATURE:
-40°C~+105°C
Derate DC voltage 1.5%/°C above 85°C to 105°C
2. VOLTAGE RANGE:
1200, 1600 and 2000 VDC.
3. CAPACITANCE RANGE:
0.001~0.1 Mfd.
(other rating upon request)
4. DIELECTRIC STRENGTH:
160% of rated voltage for 2 sec.
5. CAPACITANCE TOLERANCE:
±5%, ±10% and ±20%
6. INSULATION RESISTANCE:
30,000 Meg. Ohm at 20±3°C.
7. DISSIPATION FACTOR:
0.1% max. at 1KHz 20±3°C.

VDC \ MFD	1200					1600					2000				
	L	T	H	dφ	S	L	T	H	dφ	S	L	T	H	dφ	S
0.0010											18.0	6.5	11.5	0.8	15.0
0.0012											18.0	7.0	12.0	0.8	15.0
0.0015											18.0	7.5	12.5	0.8	15.0
0.0018											18.0	8.0	13.0	0.8	15.0
0.0022						18.0	6.5	11.5	0.8	15.0	18.0	8.0	13.0	0.8	15.0
0.0027						18.0	7.0	12.0	0.8	15.0	18.0	8.5	14.0	0.8	15.0
0.0033	18.0	6.5	11.5	0.8	15.0	18.0	7.5	12.5	0.8	15.0	18.0	9.5	14.5	0.8	15.0
0.0039	18.0	6.5	12.0	0.8	15.0	18.0	8.0	13.0	0.8	15.0	23.0	7.5	13.0	0.8	20.0
0.0047	18.0	7.0	12.5	0.8	15.0	18.0	8.5	13.5	0.8	15.0	23.0	7.5	14.5	0.8	20.0
0.0056	18.0	8.0	13.0	0.8	15.0	18.0	9.5	14.5	0.8	15.0	23.0	8.5	15.0	0.8	20.0
0.0068	18.0	8.5	13.5	0.8	15.0	18.0	10.5	15.5	0.8	15.0	23.0	9.0	16.0	0.8	20.0
0.0082	18.0	9.0	14.5	0.8	15.0	23.0	7.5	14.5	0.8	20.0	23.0	10.0	17.0	0.8	20.0
0.010	18.0	9.5	16.0	0.8	15.0	23.0	8.5	15.5	0.8	20.0	23.0	11.0	18.0	0.8	20.0
0.012	18.0	10.5	17.0	0.8	15.0	23.0	9.5	16.0	0.8	20.0	26.0	11.0	18.0	0.8	22.5
0.015	23.0	8.5	15.0	0.8	20.0	23.0	10.5	17.0	0.8	20.0	26.0	12.5	19.5	0.8	22.5
0.018	23.0	9.0	16.0	0.8	20.0	23.0	11.5	18.0	0.8	20.0	26.0	13.5	20.5	0.8	22.5
0.022	23.0	10.0	17.0	0.8	20.0	26.0	11.0	19.0	0.8	22.5	31.0	12.5	21.0	0.8	27.5
0.027	23.0	11.5	18.0	0.8	20.0	26.0	12.0	20.5	0.8	22.5	31.0	14.0	22.5	0.8	27.5
0.033	23.0	12.5	19.5	0.8	20.0	26.0	13.5	21.5	0.8	22.5	31.0	15.5	24.0	0.8	27.5
0.039	23.0	13.5	20.5	0.8	20.0	26.0	14.5	23.0	0.8	22.5	31.0	17.0	25.5	0.8	27.5
0.047	26.0	13.5	20.5	0.8	22.5	31.0	14.0	22.5	0.8	27.5					
0.056	26.0	15.0	21.5	0.8	22.5	31.0	15.5	23.5	0.8	27.5					
0.068	26.0	16.5	23.5	0.8	22.5	31.0	17.0	25.5	0.8	27.5					
0.082	31.0	15.0	23.5	0.8	27.5										
0.10	31.0	16.5	25.0	0.8	27.5										



DOUBLE METALLIZED POLYPROPYLENE CAPACITOR

NON-INDUCTIVE , LOW SELF INDUCTANCE , FLAME RETARDANT ENCASED



APPLICATIONS

1. Electronic lighting, e.g. : car headlamp and ballast
2. Switching spikes suppression in SMPS.
3. Snubber and SCR commutating circuits
4. High frequency and high voltage application

FEATURES

- * Polypropylene film dielectric film
- * Double sided metallized polyester film electrodes
- * Suit for high frequency, high pulse, high AC voltage applications.
- * Uniform shape and high density packaging.
- * Case impervious to known solvents.
- * Self-healing property.
- * Other dimension case is available on request.

Maximum pulse rise time(dv/dt) V / μsec

VDC \ S	15.0	22.5	27.5	37.5
630	2500	1500	900	450
1200	3300	2100	1000	500
1600	6000	3000	2000	1200
2000	9500	3500	2300	1500

GENERAL SPECIFICATION

1. OPERATING TEMPERATURE:

-40°C~+105°C
Derate DC voltage 1.5%/°C above 85°C to 105°C

2. VOLTAGE RANGE:

630 VDC(400 VAC); 1200 VDC (600 VAC)
1600 VDC(650VAC); 2000 VDC(700 VAC)

3. CAPACITANCE RANGE:

0.0022~3.3 Mfd.
(other rating upon request)

4. DIELECTRIC STRENGTH:

160% of rated voltage for 2 sec.

5. CAPACITANCE TOLERANCE:

±5%(J) , ±10%(K), ±20%(M)

6. INSULATION RESISTANCE:

C<.33Mfd, R≥ 30,000 Meg. Ohm at 20±3°C.
C≥.33Mfd, RC≥10,000 Meg. Ohm x Mfd.

7. DISSIPATION FACTOR:

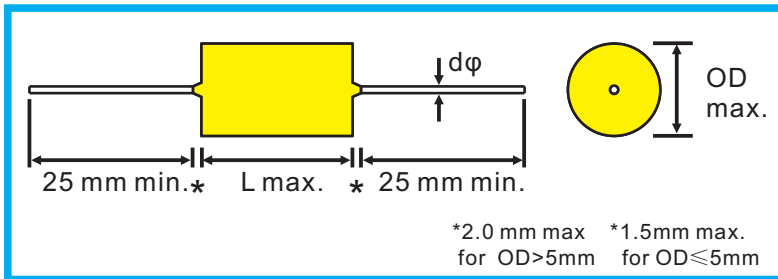
0.1% max. at 1KHz 20±3°C.

VDC Mfd	630VDC(400VAC)					1200VDC(600VAC)					1600VDC(650VAC)					2000VDC(700VAC)				
	L	T	H	dφ	S	L	T	H	dφ	S	L	T	H	dφ	S	L	T	H	dφ	S
0.0022																18.0	5.0	11.0	0.8	15.0
0.0033											18.0	5.0	11.0	0.8	15.0	18.0	6.0	12.0	0.8	15.0
0.0047						18.0	5.0	11.0	0.8	15.0	18.0	6.0	12.0	0.8	15.0	18.0	7.5	13.5	0.8	15.0
0.0056						18.0	5.0	11.0	0.8	15.0	18.0	6.0	12.0	0.8	15.0	18.0	7.5	13.5	0.8	15.0
0.0068						18.0	6.0	12.0	0.8	15.0	18.0	7.5	13.5	0.8	15.0	18.0	8.5	14.5	0.8	15.0
0.0082						18.0	6.0	12.0	0.8	15.0	18.0	7.5	13.5	0.8	15.0	18.0	9.5	15.5	0.8	15.0
0.010						18.0	7.5	13.5	0.8	15.0	18.0	8.5	14.5	0.8	15.0	18.0	10.0	16.5	0.8	15.0
0.015	18.0	5.0	11.0	0.8	15.0	18.0	8.5	14.5	0.8	15.0	18.0	10.0	16.5	0.8	15.0	26.5	7.0	16.5	0.8	22.5
0.022	18.0	6.0	12.0	0.8	15.0	18.0	10.0	16.5	0.8	15.0	18.0	11.0	19.0	0.8	15.0	26.5	10.0	19.0	0.8	22.5
0.033	18.0	7.5	13.5	0.8	15.0	26.5	7.0	16.5	0.8	22.5	26.5	8.5	17.0	0.8	22.5	26.5	11.0	20.0	0.8	22.5
0.047	18.0	8.5	14.5	0.8	15.0	26.5	8.5	17.0	0.8	22.5	26.5	11.0	20.0	0.8	22.5	26.5	13.0	23.0	0.8	22.5
0.056	18.0	8.5	14.5	0.8	15.0	26.5	10.0	19.0	0.8	22.5	26.5	13.0	23.0	0.8	22.5	32.0	13.0	22.0	0.8	27.5
0.068	18.0	9.5	15.5	0.8	15.0	26.5	11.0	20.0	0.8	22.5	26.5	13.0	23.0	0.8	22.5	32.0	14.0	25.0	0.8	27.5
0.082	18.0	10.0	16.5	0.8	15.0	26.5	13.0	23.0	0.8	22.5	26.5	14.0	23.0	0.8	22.5	32.0	16.0	25.5	0.8	27.5
0.10	18.0	11.0	19.0	0.8	15.0	26.5	14.0	23.0	0.8	22.5	32.0	14.0	25.0	0.8	27.5	32.0	18.0	28.0	0.8	27.5
0.15	26.5	8.5	17.0	0.8	22.5	32.0	14.0	25.0	0.8	27.5	32.0	18.0	28.0	0.8	27.5	42.0	18.0	30.0	1.0	37.5
0.22	26.5	11.0	20.0	0.8	22.5	32.0	18.0	28.0	0.8	27.5	42.0	18.0	30.0	1.0	37.5	42.0	20.5	34.0	1.0	37.5
0.33	26.5	23.0	23.0	0.8	22.5	42.0	18.0	30.0	1.0	37.5	42.0	20.5	34.0	1.0	37.5	42.0	26.0	39.0	1.0	37.5
0.47	32.0	14.0	25.0	0.8	27.5	42.0	20.5	34.0	1.0	37.5	42.0	24.0	39.0	1.0	37.5	42.0	30.0	45.0	1.0	37.5
0.56	32.0	16.0	25.5	0.8	27.5	42.0	22.0	37.0	1.0	37.5	42.0	26.0	39.0	1.0	37.5					
0.68	32.0	18.0	28.0	0.8	27.5	42.0	24.0	39.0	1.0	37.5	42.0	28.0	43.0	1.0	37.5					
0.82	32.0	18.0	28.0	0.8	27.5	42.0	28.0	43.0	1.0	37.5										
1.0	32.0	18.0	33.0	0.8	27.5	42.0	30.0	45.0	1.0	37.5										
1.5	42.0	20.5	34.0	1.0	37.5															
2.2	42.0	24.0	39.0	1.0	37.5															
3.3	42.0	30.0	45.0	1.0	37.5															

POLYPROPYLENE
PAN
PBN
PCN
PAK
PAT/PAF
PAD/PDK
PDT/PDF
PDD/PMK
PUK/PMT
PMF/PMO
PLK/PLD
PND/POT
POD/PSS

DOUBLE METALLIZED POLYPROPYLENE CAPACITOR

NON-INDUCTIVE, AXIAL LEAD, WRAP & FILL EPOXY RESIN



GENERAL SPECIFICATION

1. OPERATING TEMPERATURE:

-40°C~+105°C

Derate DC voltage 1.5%/°C above 85°C to 105°C

2. VOLTAGE RANGE:

630 VDC ; 1200VDC

1600VDC ; 3000VDC

3. CAPACITANCE RANGE:

0.01~4.7 Mfd.

(other rating upon request)

4. DIELECTRIC STRENGTH:

160% of rated voltage for 2 sec.

5. CAPACITANCE TOLERANCE:

±5%(J) , ±10%(K) and ±20%(M)

6. INSULATION RESISTANCE:

C<.33Mfd, R≥ 30,000 Meg. Ohm at 20±3°C.

C≥.33Mfd, RC≥ 10,000 Meg. Ohm x Mfd.

7. DISSIPATION FACTOR:

0.1% max. at 1KHz 20±3°C.

APPLICATIONS

1. Electronic lighting, e.g. : car headlamp and ballast.
2. Switching spikes suppression in SMPS.
3. Snubber and SCR commutating circuits.
4. High frequency and high voltage application.

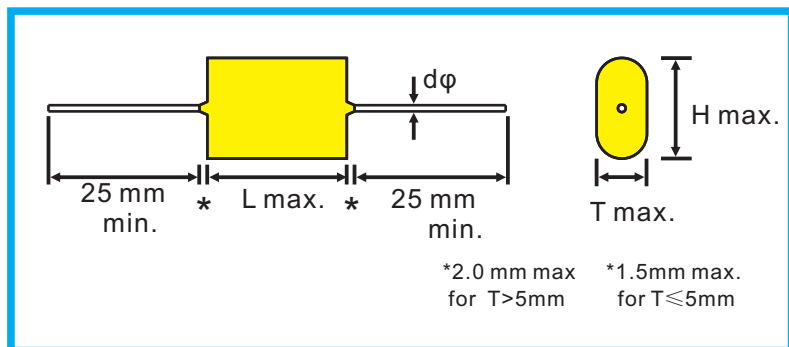
FEATURES

- * Polypropylene film dielectric .
- * Double sided metallized polyester film electrode.
- * Suit for high frequency, high pulse, high AC voltage applications.
- * Uniform shape and high density packaging.
- * Case impervious to known solvents.
- * Self-healing property.
- * Other dimension case is available on request.

VDC Mfd	600/630		1000/1200V		1600		3000	
	OD	L	OD	L	OD	L	OD	L
0.010	8.5	15.0	8.5	20.0	11.5	20.0	13.0	34.0
0.015	10.0	15.0	9.5	20.0	13.0	20.0	15.0	34.0
0.022	9.0	20.0	11.0	20.0	12.0	28.0	17.0	34.0
0.033	10.5	20.0	12.5	20.0	13.5	28.0	19.5	34.0
0.047	11.0	20.0	12.0	28.0	15.5	28.0	18.0	47.0
0.068	12.5	20.0	13.5	28.0	18.0	28.0	20.5	47.0
0.082	13.5	20.0	14.5	28.0	19.5	28.0	22.5	47.0
0.10	11.0	34.0	14.0	34.0	20.0	34.0	24.0	47.0
0.15	13.0	34.0	17.0	34.0	23.5	34.0	28.5	47.0
0.22	13.5	34.0	19.5	34.0	28.0	34.0	33.5	47.0
0.33	15.0	34.0	19.0	47.0	26.0	47.0		
0.47	17.0	34.0	22.0	47.0	30.5	47.0		
0.68	19.5	34.0	26.0	47.0	36.0	47.0		
1.0	23.0	34.0	30.5	47.0	38.5	55.0		
1.5	27.5	34.0	33.0	55.0	46.0	55.0		
1.5	22.0	47.0						
2.0	24.5	47.0	37.5	55.0				
3.3	28.0	55.0						
4.7	32.5	55.0						

DOUBLE METALLIZED POLYPROPYLENE CAPACITOR

NON-INDUCTIVE, AXIAL LEAD, FLAT OVAL SHAPE, WRAP & FILL WITH EPOXY RESIN



GENERAL SPECIFICATION

1. OPERATING TEMPERATURE:

-40°C~+105°C
Derate DC voltage 1.5%/°C above 85°C to 105°C

2. VOLTAGE RANGE:

630 VDC ; 1200 VDC
1600VDC ; 3000VDC

3. CAPACITANCE RANGE:

0.01~4.7 Mfd.
(other rating upon request)

4. DIELECTRIC STRENGTH:

160% of rated voltage for 2 sec.

5. CAPACITANCE TOLERANCE:

±5%(J) , ±10%(K) and ±20%(M)

6. INSULATION RESISTANCE:

C<.33Mfd, R≥ 30,000 Meg. Ohm at 20±3°C.
C≥.33Mfd, RC≥10,000 Meg. Ohm x Mfd.

7. DISSIPATION FACTOR:

0.1% max. at 1KHz 20±3°C.

APPLICATIONS

1. Electronic lighting, e.g. : car headlamp and ballast.
2. Switching spikes suppression in SMPS.
3. Snubber and SCR commutating circuits.
4. High frequency and high voltage application.

FEATURES

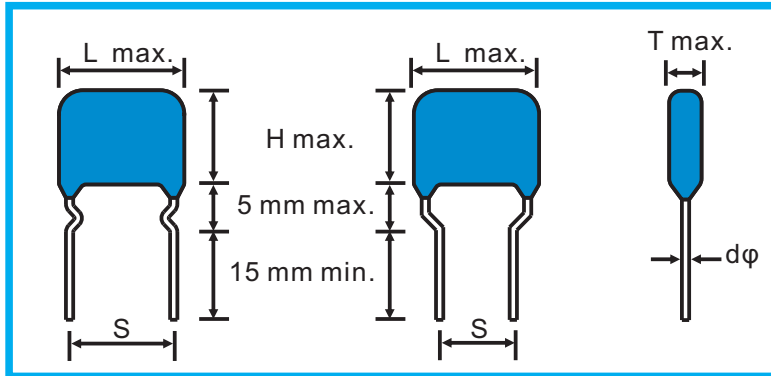
- *Polypropylene film dielectric .
- *Double sided metallized polyester film electrodes.
- *Suit for high frequency, high pulse, high AC voltage applications.
- *Uniform shape and high density packaging.
- *Case impervious to known solvents.
- *Self-healing property.

VDC Mfd	600/630			1200			1600			3000		
	L	T	H	L	T	H	L	T	H	L	T	H
0.010	15.0	7.0	10.0	20.0	7.0	10.0	20.0	8.0	13.0	34.0	9.0	15.0
0.015	15.0	8.0	11.0	20.0	7.5	11.0	20.0	9.5	15.0	34.0	10.5	17.0
0.022	20.0	7.0	10.0	20.0	8.5	13.0	28.0	9.0	13.5	34.0	12.5	19.0
0.033	20.0	8.5	11.5	20.0	9.5	14.5	28.0	10.5	15.0	34.0	15.5	22.0
0.047	20.0	8.5	12.0	28.0	9.0	13.5	28.0	11.5	18.0	47.0	12.5	22.0
0.068	20.0	9.0	14.0	28.0	10.0	15.0	28.0	14.0	20.5	47.0	15.0	24.5
0.082	20.0	10.0	15.0	28.0	10.5	17.0	28.0	15.5	22.0	47.0	17.0	26.5
0.10	34.0	7.0	13.5	34.0	10.5	17.0	34.0	16.5	22.5	47.0	18.0	28.0
0.15	34.0	8.5	15.0	34.0	13.0	19.0	34.0	20.0	26.5	47.0	22.5	32.0
0.22	34.0	8.5	15.0	34.0	15.5	22.0	34.0	24.0	30.5	47.0	28.0	37.5
0.33	34.0	10.5	17.0	47.0	14.0	23.5	47.0	20.0	30.0			
0.47	34.0	12.5	19.0	47.0	17.0	26.0	47.0	25.0	33.0			
0.68	34.0	15.0	21.5	47.0	20.5	30.0	47.0	29.0	38.5			
1.0	34.0	18.5	25.0	47.0	25.0	34.5	55.0	32.5	42.0			
1.5	34.0	23.0	29.5	55.0	27.5	37.0	55.0	40.0	49.5			
1.5	47.0	17.5	24.0									
2.0	47.0	18.5	28.0	55.0	30.5	43.0						
3.3	55.0	22.5	31.0									
4.7	55.0	27.0	35.0									



DOUBLE METALLIZED POLYPROPYLENE CAPACITOR

NON-INDUCTIVE, LOW SELF INDUCTANCE, EPOXY DIP COATED



APPLICATIONS

- 1. Electronic lighting, e.g. : car headlamp and ballast
- 2. Switching spikes suppression in SMPS.
- Snubber and SCR commutating circuit
- High frequency and high voltage application

FEATURES

- * Polypropylene film dielectric .
- * Double sided metallized polyester film electrodes
- * Suit for high frequency, high pulse, high AC voltage applications.
- * Uniform shape and high density packaging.
- Coated with flame retardant epoxy.
- * Self-healing property.
- * Other dimension case is available on request.

GENERAL SPECIFICATION

1. OPERATING TEMPERATURE:
 - 40°C ~ + 105°C
 - Derate DC voltage 1.5%/°C above 85°C to 105°C
2. VOLTAGE RANGE:
 - 630 VDC(400 VAC); 1200 VDC(600 VAC)
 - 1600 VDC(650VAC); 2000 VDC(700VAC)
3. CAPACITANCE RANGE:
 - 0.0022 ~ 3.3Mfd.
 - (other rating upon request)
4. DIELECTRIC STRENGTH:
 - 160% of rated voltage for 2 sec.
5. CAPACITANCE TOLERANCE:
 - ±5%(J) , ±10%(K) and ±20%(M)
6. INSULATION RESISTANCE:
 - C<.33Mfd, R≥ 30,000 Meg. Ohm at 20±3°C.
 - C≥.33Mfd, RC≥ 10,000 Meg. Ohm x Mfd.
7. DISSIPATION FACTOR:
 - 0.1% max. at 1KHz 20±3°C.

Maximum pulse rise time(dv/dt) V / μsec

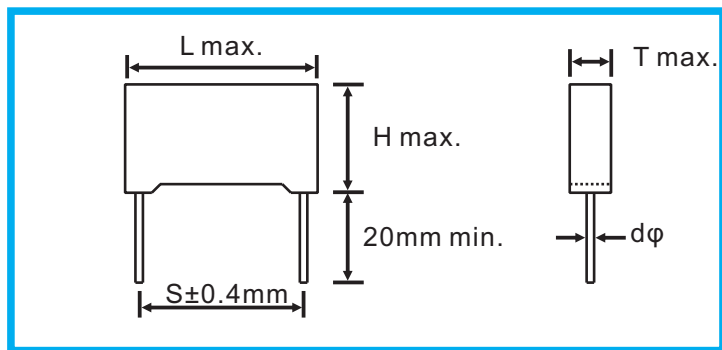
VDC \ S	15.0	22.5	27.5	37.5
630	2500	1500	900	450
1200	3300	2100	1000	500
1600	6000	3000	2000	1200
2000	9500	3500	2300	1500

VDC \ Mfd	630VDC(400VAC)					1200VDC(600VAC)					1600VDC(650VAC)					2000VDC(700VAC)				
	L	T	H	dφ	S	L	T	H	dφ	S	L	T	H	dφ	S	L	T	H	dφ	S
0.0022																18.0	5.0	11.0	0.8	15.0
0.0033											18.0	5.0	11.0	0.8	15.0	18.0	6.0	12.0	0.8	15.0
0.0047						18.0	5.0	11.0	0.8	15.0	18.0	6.0	12.0	0.8	15.0	18.0	7.5	13.5	0.8	15.0
0.0056						18.0	5.0	11.0	0.8	15.0	18.0	6.0	12.0	0.8	15.0	18.0	7.5	13.5	0.8	15.0
0.0068						18.0	6.0	12.0	0.8	15.0	18.0	7.5	13.5	0.8	15.0	18.0	8.5	14.5	0.8	15.0
0.0082						18.0	6.0	12.0	0.8	15.0	18.0	7.5	13.5	0.8	15.0	18.0	9.5	15.5	0.8	15.0
0.010						18.0	7.5	13.5	0.8	15.0	18.0	8.5	14.5	0.8	15.0	18.0	10.0	16.5	0.8	15.0
0.015	18.0	5.0	11.0	0.8	15.0	18.0	8.5	14.5	0.8	15.0	18.0	10.0	16.5	0.8	15.0	26.5	7.0	16.5	0.8	22.5
0.022	18.0	6.0	12.0	0.8	15.0	18.0	10.0	16.5	0.8	15.0	18.0	11.0	19.0	0.8	15.0	26.5	10.0	19.0	0.8	22.5
0.033	18.0	7.5	13.5	0.8	15.0	26.5	7.0	16.5	0.8	22.5	26.5	8.5	17.0	0.8	22.5	26.5	11.0	20.0	0.8	22.5
0.047	18.0	8.5	14.5	0.8	15.0	26.5	8.5	17.0	0.8	22.5	26.5	11.0	20.0	0.8	22.5	26.5	13.0	23.0	0.8	22.5
0.056	18.0	8.5	14.5	0.8	15.0	26.5	10.0	19.0	0.8	22.5	26.5	13.0	23.0	0.8	22.5	32.0	13.0	22.0	0.8	27.5
0.068	18.0	9.5	15.5	0.8	15.0	26.5	11.0	20.0	0.8	22.5	26.5	13.0	23.0	0.8	22.5	32.0	14.0	25.0	0.8	27.5
0.082	18.0	10.0	16.5	0.8	15.0	26.5	13.0	23.0	0.8	22.5	26.5	14.0	23.0	0.8	22.5	32.0	16.0	25.5	0.8	27.5
0.10	18.0	11.0	19.0	0.8	15.0	26.5	14.0	23.0	0.8	22.5	32.0	14.0	25.0	0.8	27.5	32.0	18.0	28.0	0.8	27.5
0.15	26.5	8.5	17.0	0.8	22.5	32.0	14.0	25.0	0.8	27.5	32.0	18.0	28.0	0.8	27.5	42.0	18.0	30.0	1.0	37.5
0.22	26.5	11.0	20.0	0.8	22.5	32.0	18.0	28.0	0.8	27.5	42.0	18.0	30.0	1.0	37.5	42.0	20.5	34.0	1.0	37.5
0.33	26.5	23.0	23.0	0.8	22.5	42.0	18.0	30.0	1.0	37.5	42.0	20.5	34.0	1.0	37.5	42.0	26.0	39.0	1.0	37.5
0.47	32.0	14.0	25.0	0.8	27.5	42.0	20.5	34.0	1.0	37.5	42.0	24.0	39.0	1.0	37.5	42.0	30.0	45.0	1.0	37.5
0.56	32.0	16.0	25.5	0.8	27.5	42.0	22.0	37.0	1.0	37.5	42.0	26.0	39.0	1.0	37.5					
0.68	32.0	18.0	28.0	0.8	27.5	42.0	24.0	39.0	1.0	37.5	42.0	28.0	43.0	1.0	37.5					
0.82	32.0	18.0	28.0	0.8	27.5	42.0	28.0	43.0	1.0	37.5										
1.0	32.0	18.0	33.0	0.8	27.5	42.0	30.0	45.0	1.0	37.5										
1.5	42.0	20.5	34.0	1.0	37.5															
2.2	42.0	24.0	39.0	1.0	37.5															
3.3	42.0	30.0	45.0	1.0	37.5															



METALLIZED POLYPROPYLENE CAPACITOR

NON-INDUCTIVE , LOW SELF INDUCTANCE , FLAME RETARDANT ENCASED



FEATURES

- * High reliability and excellent self-healing characteristics.
- * Low losses and low ESR.
- * Self-healing property.
- * Specials available upon request.

Maximum pulse rise time(dv/dt) V / μsec

VDC \ S	7.5	10.0	15.0	22.5	27.5
250	15.0	11.0	7.0	4.0	3.0
400	30.0	20.0	10.0	5.5	5.0
630	40.0	30.0	15.0	8.0	7.0

VDC Mfd	250 VDC case code	400 VDC case code	630 VDC case code
0.010	B2/C1	C1	C2
0.015	B2/C1	C1	C2
0.022	C1	C2	C3
0.033	C1	C2	D2
0.047	C2	C3	D3
0.068	C2	D2	D4
0.10	C3/D1	D3	E2
0.15	D2	D4	E3
0.22	D2	E2	E4/F1
0.33	E1	E3	F2
0.47	E2	E4/F1	G1
0.68	E2	F1	
1.0	E4/F1	F2	
1.5	F1	G1	
2.2	F2		

GENERAL SPECIFICATION

1. OPERATING TEMPERATURE:

-40°C~+105°C
Derate DC voltage 1.5%/°C above 85°C to 105°C

2. VOLTAGE RANGE:

250 , 400 and 630 VDC.

3. CAPACITANCE RANGE:

0.01~2.2 Mfd.
(other rating upon request)

4. DIELECTRIC STRENGTH:

160% of rated voltage for 2 sec.

5. CAPACITANCE TOLERANCE:

±5% , ±10% and ±20%

6. INSULATION RESISTANCE:

C<.33Mfd, R≥ 30,000 Meg. Ohm at 20±3°C.
C≥.33Mfd, RC≥10,000 Meg. Ohm x Mfd.

7. DISSIPATION FACTOR:

0.1% max. at 1KHz 20±3°C.

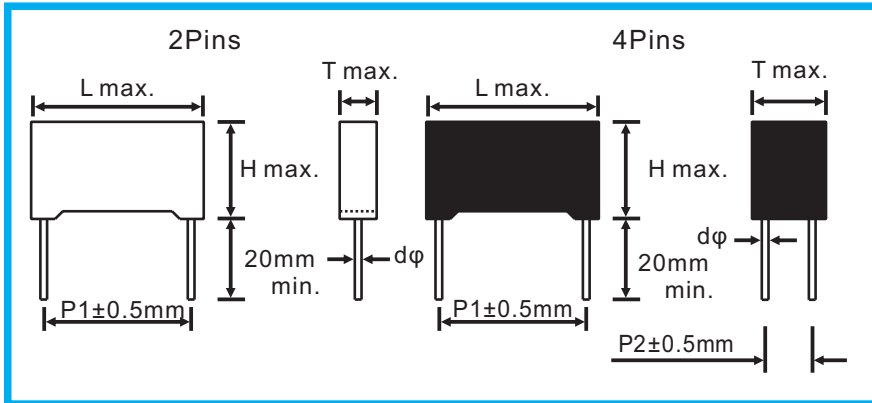
CASE CODE	L	T	H	S	dφ
B2	10.5	4.0	9.0	7.5	0.6
C1	13.0	4.0	9.0	10.0	0.6
C2	13.0	5.0	11.0	10.0	0.6
C3	13.0	6.0	12.0	10.0	0.6
D1	18.0	5.0	11.0	15.0	0.8
D2	18.0	6.0	12.0	15.0	0.8
D3	18.0	7.5	13.5	15.0	0.8
D4	18.0	8.5	14.5	15.0	0.8
E1	26.5	6.0	15.0	22.5	0.8
E2	26.5	7.0	16.5	22.5	0.8
E3	26.5	8.5	17.0	22.5	0.8
E4	26.5	10.0	19.0	22.5	0.8
F1	32.0	11.0	20.0	27.5	0.8
F2	32.0	13.0	22.0	27.5	0.8
G1	32.0	15.0	30.0	27.5	0.8

*Please stipulate Case-Code required when submit the enquiry.

POLYPROPYLENE
PAN
PBN
PCN
PAK
PAT/PAF
PAD/PDK
PDT/PDF
PDD/PMK
PUK/PMT
PMF/PMD
PLK/PLD
PND/POT
POD/PSS

METALLIZED POLYPROPYLENE CAPACITOR

NON-INDUCTIVE , A.C. OUTPUT FILTER , FLAME RETARDANT ENCASED



GENERAL SPECIFICATION

1. OPERATING TEMPERATURE:
-40°C~+105°C
Derate DC voltage 1.5%/°C above 70°C to 105°C
2. VOLTAGE RANGE:
180 , 275 and 350 VDC.
3. CAPACITANCE RANGE:
0.01~2.2 Mfd.
(other rating upon request)
4. DIELECTRIC STRENGTH:
160% of rated voltage for 2 sec.
5. CAPACITANCE TOLERANCE:
±5% , ±10% and ±20%
6. INSULATION RESISTANCE:
C<.33Mfd, R≥ 30,000 Meg. Ohm
at 20±3°C.
C≥.33Mfd, RC≥10,000 Meg. Ohm x Mfd.
7. DISSIPATION FACTOR:
0.1% max. at 1KHz 20±3°C.

APPLICATION

- * Suitable for AC output filter, i.e. UPS,
Solar Photovoltaic DC/AC inverter with LCL filter.

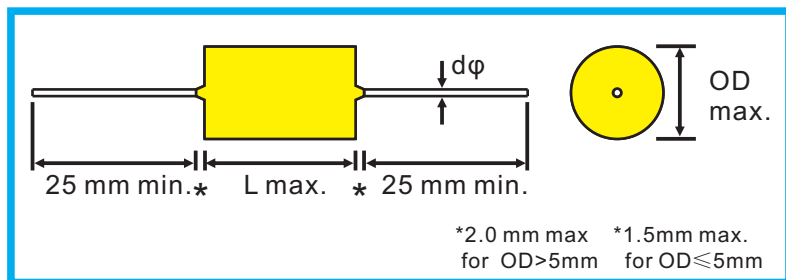
FEATURES

- * High reliability and excellent self-healing characteristics.
- * Low losses and low ESR.

VAC Mfd	180VAC							275VAC							350VAC						
	L	T	H	P1	P2	dφ	dv/dt	L	T	H	P1	P2	dφ	dv/dt	L	T	H	P1	P2	dφ	dv/dt
1.0								32.0	11.0	20.0	27.5		1.0	80	32.0	11.0	20.0	27.5		1.0	100
1.2								32.0	11.0	20.0	27.5		1.0	80	32.0	13.0	22.0	27.5		1.0	100
1.5								32.0	13.0	22.0	27.5		1.0	80	32.0	14.0	25.0	27.5		1.0	100
1.8								32.0	14.0	25.0	27.5		1.0	80	32.0	16.0	25.5	27.5		1.0	100
2.2	32.0	11.0	20.0	27.5		1.0	30	32.0	15.0	24.5	27.5		1.0	80	32.0	18.0	28.0	27.5		1.0	100
2.7	32.0	11.0	20.0	27.5		1.0	30	32.0	16.0	25.5	27.5		1.0	80	32.0	18.0	33.0	27.5		1.2	100
3.3	32.0	13.0	22.0	27.5		1.0	30	32.0	18.0	28.0	27.5		1.2	80	32.0	20.0	35.0	27.5		1.2	100
3.9	32.0	14.0	25.0	27.5		1.0	30	32.0	18.0	33.0	27.5		1.2	80	42.0	18.0	30.0	37.5	10.2	1.2	70
4.7	32.0	14.0	25.0	27.5		1.0	30	42.0	18.0	30.0	37.5	10.2	1.2	55	42.0	20.5	34.0	37.5	10.2	1.2	70
5.6	32.0	16.0	25.5	27.5		1.0	30	42.0	18.0	30.0	37.5	10.2	1.2	55	42.0	22.0	37.0	37.5	10.2	1.2	70
6.8	32.0	18.0	28.0	27.5		1.2	30	42.0	20.5	34.0	37.5	10.2	1.2	55	42.0	26.0	39.0	37.5	10.2	1.2	70
8.2	32.0	19.0	30.0	27.5		1.2	30	42.0	22.0	37.0	37.5	10.2	1.2	55	42.0	26.0	43.0	37.5	10.2	1.2	70
10.0	32.0	22.0	31.0	27.5		1.2	30	42.0	26.0	39.0	37.5	10.2	1.2	55	42.0	30.0	45.0	37.5	10.2	1.2	70
12.0	42.0	18.0	30.0	37.5	10.2	1.2	20	42.0	28.0	43.0	37.5	10.2	1.2	55	59.0	33.0	43.0	52.5	20.3	1.2	45
15.0	42.0	20.5	34.0	37.5	10.2	1.2	20	42.0	31.0	47.0	37.5	20.3	1.2	55	59.0	33.0	43.0	52.5	20.3	1.2	45
18.0	42.0	22.0	37.0	37.5	10.2	1.2	20	59.0	33.0	43.0	52.5	20.3	1.2	35	59.0	35.0	46.0	52.5	20.3	1.2	45
20.0	42.0	24.0	39.0	37.5	10.2	1.2	20	59.0	33.0	43.0	52.5	20.3	1.2	35	59.0	38.0	48.0	52.5	20.3	1.2	45
22.0	42.0	24.0	42.5	37.5	10.2	1.2	20	59.0	34.0	45.0	52.5	20.3	1.2	35	59.0	40.0	50.0	52.5	20.3	1.2	45
25.0	42.0	26.0	43.0	37.5	10.2	1.2	20	59.0	38.0	48.0	52.5	20.3	1.2	35							
27.0	42.0	28.0	43.0	37.5	10.2	1.2	20	59.0	38.0	48.0	52.5	20.3	1.2	35							
30.0	42.0	30.0	45.0	37.5	20.3	1.2	20	59.0	40.0	50.0	52.5	20.3	1.2	35							
33.0	42.0	31.0	47.0	37.5	20.3	1.2	20	59.0	42.0	53.0	52.5	20.3	1.2	35							
35.0	59.0	28.0	41.0	52.5	10.2	1.2	15														
40.0	59.0	33.0	43.0	52.5	20.3	1.2	15														
50.0	59.0	35.0	46.0	52.5	20.3	1.2	15														
60.0	59.0	38.0	48.0	52.5	20.3	1.2	15														
70.0	59.0	40.0	50.0	52.5	20.3	1.2	15														

METALLIZED POLYPROPYLENE CAPACITOR

NON-INDUCTIVE , WRAP & FILL WITH EPOXY RESIN



GENERAL SPECIFICATION

1. OPERATING TEMPERATURE:
-40°C~+105°C
Derate DC voltage 1.5%/°C above 85°C to 105°C
2. VOLTAGE RANGE:
250 , 400 and 630 VDC.
3. CAPACITANCE RANGE:
0.01~4.7 Mfd.
(other rating upon request)
4. DIELECTRIC STRENGTH:
160% of rated voltage for 2 sec.
5. CAPACITANCE TOLERANCE:
±5% , ±10% and ±20%
±1% , ±2% and ±3% available upon request
6. INSULATION RESISTANCE:
C<.33Mfd, R≥ 30,000 Meg. Ohm at 20±3°C.
C≥.33Mfd, RC≥ 10,000 Meg. Ohm x Mfd.
7. DISSIPATION FACTOR:
0.1% max. at 1KHz 20±3°C.

APPLICATION

*Widely used in communication and electronic industries as timing integrating and filter networks.

FEATURES

- * High reliability and excellent long term stability.
- * Low losses and excellent for high frequency application.
- * Miniature size and light weight.
- * Self-healing property.
- * Taped and reel package is available for auto-insertion.

OD	dφ
up to 8.0 mm	0.6 mm
over 8.0 mm	0.8 mm

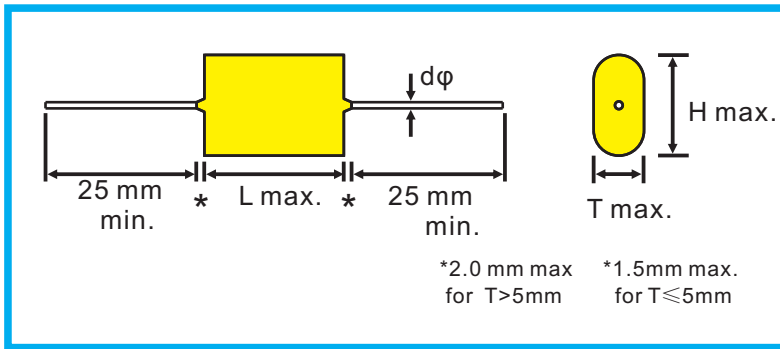
Maximum pulse rise time(dv/dt) V / μsec

VDC \ L	14.0	19.0	25.0	32.0	37.0	47.0
250	10.0	7.0	4.0	2.5	1.5	
400	13.5	10.0	6.5	4.0	3.0	
630	20.0	15.0	10.0	6.0	4.0	2.0

VDC \ Mfd	250		400		630	
	OD	L	OD	L	OD	L
0.010	5.0	14.0	5.5	14.0	6.5	14.0
0.015	5.5	14.0	6.0	14.0	7.0	14.0
0.022	6.0	14.0	7.0	14.0	8.0	14.0
0.033	6.0	14.0	7.5	14.0	8.0	19.0
0.047	6.5	14.0	8.0	14.0	9.0	19.0
0.068	7.5	14.0	8.0	19.0	9.0	25.0
0.10	8.0	14.0	8.5	19.0	11.0	25.0
0.15	8.5	14.0	10.0	19.0	12.0	25.0
0.22	9.0	19.0	10.0	25.0	13.0	32.0
0.33	9.0	25.0	12.0	25.0	15.0	32.0
0.47	10.5	25.0	12.0	32.0	17.0	32.0
0.68	12.5	25.0	14.0	32.0	18.5	37.0
1.0	12.5	32.0	16.5	32.0	19.0	47.0
1.5	14.5	32.0	18.5	37.0		
2.2	16.5	32.0	22.0	37.0		
3.3	17.0	37.0				
4.7	21.0	37.0				

METALLIZED POLYPROPYLENE CAPACITOR

NON-INDUCTIVE , WRAP & FILL WITH EPOXY RESIN , FLAT OVAL SHAPE



GENERAL SPECIFICATION

1. OPERATING TEMPERATURE:
-40°C ~ +105°C
Derate DC voltage 1.5%/°C above 85°C to 105°C

2. VOLTAGE RANGE:
250 , 400 and 630 VDC.

3. CAPACITANCE RANGE:
0.1~6.8 Mfd.
(other rating upon request)

4. DIELECTRIC STRENGTH:
160% of rated voltage for 2 sec.

5. CAPACITANCE TOLERANCE:
±5% , ±10% and ±20%

6. INSULATION RESISTANCE:
C<.33Mfd, R≥ 30,000 Meg. Ohm at 20±3°C.
C≥.33Mfd, RC≥10,000 Meg. Ohm x Mfd.

7. DISSIPATION FACTOR:
0.1% max. at 1KHz 20±3°C.

APPLICATION

*Wave-form shaping, delay and timing circuit for communication and electronic industries.

FEATURES

- * High reliability and excellent long term stability.
- *Very low dissipation factor.
- *Suitable for high frequency application.
- *Self-healing property.

Maximum pulse rise time(dv/dt) V / μsec

VDC \ L	14.0	19.0	25.0	32.0	37.0	47.0
250	10.0	7.0	4.0	2.5	1.5	0.8
400		10.0	6.5	4.0	3.0	1.0
630			10.0	6.0	4.0	2.0

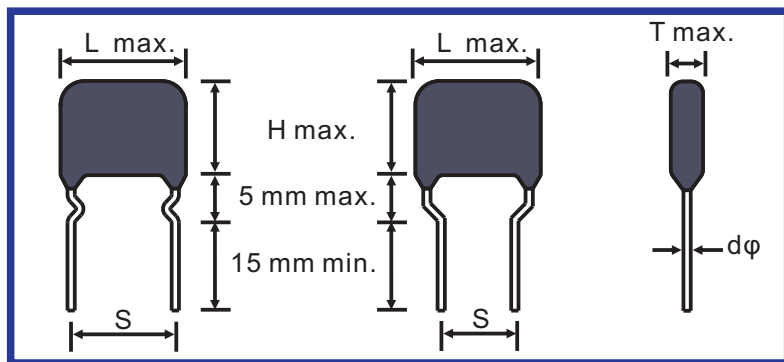
L	14.0	19.0	25.0	32.0	37.0	47.0
dφ	0.6	0.6	0.8	0.8	0.8	1.0

VDC \ Mfd	250			400			630		
	L	T	H	L	T	H	L	T	H
0.10	14.0	5.5	10.0	19.0	6.5	11.5	25.0	8.0	13.0
0.15	19.0	6.0	10.5	19.0	8.0	13.5	25.0	9.0	15.0
0.22	19.0	7.0	10.5	25.0	8.0	14.0	32.0	9.0	15.5
0.33	19.0	8.0	12.5	25.0	9.5	16.0	32.0	11.5	19.5
0.47	25.0	8.0	13.5	32.0	9.5	16.0	32.0	14.0	23.0
0.68	25.0	9.5	15.5	32.0	11.0	19.0	37.0	15.0	24.0
1.0	25.0	11.0	17.5	32.0	12.0	21.0	47.0	16.0	25.0
1.5	32.0	11.0	17.5	37.0	13.0	22.0	47.0	20.0	29.0
2.2	32.0	12.5	20.0	37.0	16.0	25.0	47.0	24.0	34.0
3.3	37.0	13.0	22.0	47.0	16.0	28.0			
4.7	37.0	15.0	25.0	47.0	22.0	34.0			
6.8	47.0	16.5	26.5						



METALLIZED POLYPROPYLENE CAPACITOR

NON-INDUCTIVE , EPOXY DIP COATED



GENERAL SPECIFICATION

1. OPERATING TEMPERATURE:

-40°C~+105°C
Derate DC voltage 1.5%/°C above 85°C to 105°C

2. VOLTAGE RANGE:

250 , 400 and 630 VDC.

3. CAPACITANCE RANGE:

0.01~4.7 Mfd.
(other rating upon request)

4. DIELECTRIC STRENGTH:

160% of rated voltage for 2 sec.

5. CAPACITANCE TOLERANCE:

±5% , ±10% and ±20%

6. INSULATION RESISTANCE:

C<.33Mfd, R≥ 30,000 Meg. Ohm at 20±3°C.
C≥.33Mfd, RC≥ 10,000 Meg. Ohm x Mfd.

7. DISSIPATION FACTOR:

0.1% max. at 1KHz 20±3°C.

APPLICATION

High frequency pulse and thyristor circuits, noise suppressor, B+ filter in all commercial and industrial equipments.

FEATURES

- *High reliability and excellent self-healing characteristics.
- *Low losses and low ESR.
- *Coated with flame retardant epoxy.

Maximum pulse rise time(dv/dt) V / μsec

VDC \ S	10.0	15.0	22.5	27.5
250	11.0	7.0	4.0	3.0
400	20.0	10.0	5.5	5.0
630	30.0	15.0	8.0	7.0

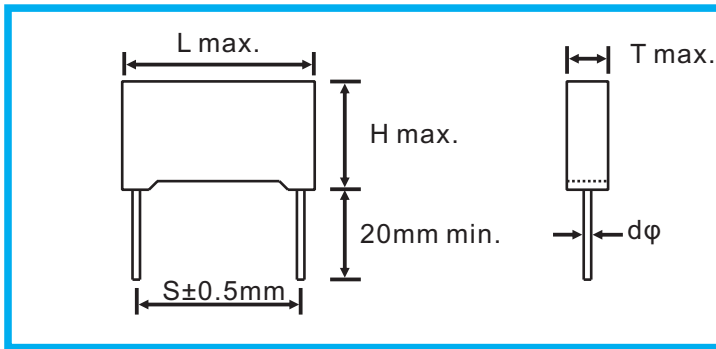
L	13.0	18.0	26.0	31.0
S	10.0	15.0	22.5	27.5
dφ	0.6	0.8	0.8	0.8

VDC \ Mfd	250			400			630		
	L	T	H	L	T	H	L	T	H
0.010	13.0	5.0	9.0	13.0	5.0	9.0	13.0	5.5	9.5
0.015	13.0	5.0	9.0	13.0	5.0	9.0	13.0	6.5	10.5
0.022	13.0	5.0	9.0	13.0	5.5	9.5	13.0	7.0	11.5
0.033	13.0	5.5	9.0	13.0	6.5	11.0	18.0	7.0	11.5
0.047	13.0	5.5	9.5	13.0	7.5	12.5	18.0	8.0	13.0
0.068	13.0	6.0	10.5	18.0	6.0	11.0	18.0	9.0	15.5
0.10	13.0	7.0	11.0	18.0	7.5	13.5	26.0	8.0	15.0
0.15	18.0	6.5	10.5	26.0	7.0	13.5	26.0	9.5	17.0
0.22	18.0	7.0	12.5	26.0	8.0	15.0	31.0	10.0	17.0
0.33	18.0	8.0	13.5	26.0	10.0	17.0	31.0	12.5	19.5
0.47	26.0	7.5	14.0	31.0	10.0	17.0	31.0	15.0	22.5
0.68	26.0	8.5	15.5	31.0	12.0	19.0	31.0	17.5	26.5
1.0	26.0	10.5	17.0	31.0	14.0	22.5			
1.5	31.0	11.0	18.0	31.0	17.0	25.5			
2.2	31.0	13.5	21.0						
2.7	31.0	15.0	22.5						
3.3	31.0	16.0	24.0						
4.7	31.0	19.0	28.0						

POLYPROPYLENE
PAN
PBN
PCN
PAK
PAT/PAF
PAD/PDK
PDT/PDF
PDD/PMK
PUK/PMT
PMF/PMD
PLK/PLD
PND/POT
POD/PSS

METALLIZED POLYPROPYLENE CAPACITOR , PFC FILTERING

NON-INDUCTIVE , LOW SELF INDUCTANCE , FLAME RETARDANT ENCASED



Maximum pulse rise time(dv/dt) V / μsec

VDC \ S	10.0	15.0	20.0	22.5	27.5
450	120	100	70	60	40
630	150	120	90	80	60

L	13.0	18.0	24.0	26.5	32.0
S	10.0	15.0	20.0	22.5	27.5

VDC \ Mfd	450VDC/220VAC				630VDC/275VAC			
	L	T	H	dφ	L	T	H	dφ
0.022					13.0	5.0	11.0	0.6
0.033					13.0	5.0	11.0	0.6
0.047					13.0	6.0	12.0	0.6
0.068					13.0	7.0	13.0	0.6
0.10	13.0	5.0	11.0	0.6	18.0	6.0	12.0	0.8
0.15	13.0	6.0	12.0	0.6	18.0	7.5	13.5	0.8
0.22	13.0	7.0	13.0	0.6	18.0	8.5	14.5	0.8
0.22					24.0	7.0	12.5	0.8
0.33	18.0	6.0	12.0	0.8	18.0	10.0	16.5	0.8
0.33					24.0	7.5	15.0	0.8
0.47	18.0	7.5	13.5	0.8	18.0	11.0	19.0	0.8
0.47	24.0	7.0	12.5	0.8	24.0	9.5	16.5	0.8
0.47					26.5	8.5	17.0	0.8
0.68	18.0	9.5	15.5	0.8	24.0	11.5	19.0	0.8
0.68	24.0	7.5	15.0	0.8	26.5	10.0	19.0	0.8
0.68	26.5	6.0	15.0	0.8				
1.0	18.0	11.0	19.0	0.8	24.0	13.5	22.0	0.8
1.0	24.0	9.5	16.5	0.8	26.5	13.0	23.0	0.8
1.0	26.5	8.5	17.0	0.8	32.0	11.0	20.0	0.8
1.5	24.0	11.5	19.0	0.8	26.5	16.0	25.0	0.8
1.5	26.5	10.0	19.0	0.8	32.0	14.0	25.0	0.8
2.2	24.0	13.5	22.0	0.8	32.0	18.0	28.0	0.8
2.2	26.5	12.0	21.5	0.8				
2.2	32.0	11.0	20.0	0.8				
3.3	32.0	13.0	22.0	0.8				
4.7	32.0	16.0	25.5	0.8				
6.8	32.0	18.0	28.0	0.8				

GENERAL SPECIFICATION

1. OPERATING TEMPERATURE:

-40°C~+105°C
Derate DC voltage 1.5%/°C above 85°C to 105°C

2. VOLTAGE RANGE:

450 , 630 VDC.

3. CAPACITANCE RANGE:

0.022~6.8 Mfd.
(other rating upon request)

4. DIELECTRIC STRENGTH:

160% of rated voltage for 2 sec.

5. CAPACITANCE TOLERANCE:

±5% , ±10% and ±20%

6. INSULATION RESISTANCE:

C<.33Mfd, R≥ 30,000 Meg. Ohm at 20±3°C.
C≥.33Mfd, RC≥10,000 Meg. Ohm x Mfd.

7. DISSIPATION FACTOR:

0.1% max. at 1KHz 20±3°C.

APPLICATION

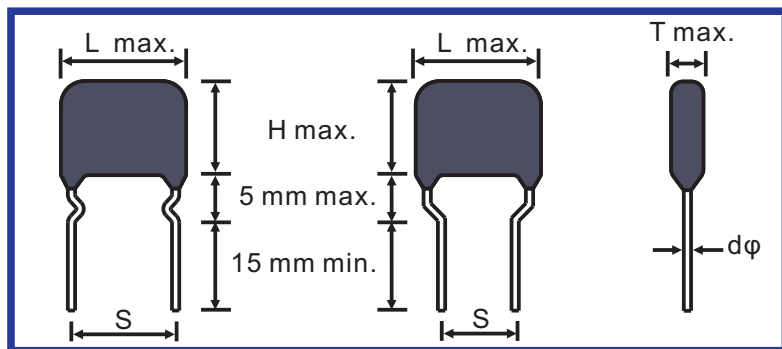
This type capacitor is suitable to be used for PFC (Power Factor Correction) purpose in appliances such as Electronic Lighting, Inverter, UPS, Switching Mode Power Supply

FEATURES

- * This series is using special metallized polypropylene film.
- * Self-healing property.
- * Avoid fatal short circuit.

METALLIZED POLYPROPYLENE CAPACITOR ,PFC FILTERING

NON-INDUCTIVE , LOW SELF INDUCTANCE, EPOXY DIP COATED



APPLICATION

This type capacitor is suitable to be used for PFC (Power Factor Correction) purpose in appliances such as Electronic Lighting, Inverter, UPS, Switching Mode Power Supply

VDC \ Mfd	450VDC/220VAC				630VDC/275VAC			
	L	T	H	dφ	L	T	H	dφ
0.022					12.5	5.0	8.5	0.6
0.027					12.5	5.0	8.5	0.6
0.033					12.5	5.5	9.0	0.6
0.039					12.5	6.0	9.5	0.6
0.047	12.5	4.5	8.0	0.6	12.5	6.5	10.0	0.6
0.056	12.5	4.5	8.0	0.6	12.5	7.0	10.5	0.6
0.068	12.5	4.5	8.5	0.6	12.5	7.5	11.0	0.6
0.082	12.5	5.0	9.0	0.6	12.5	7.5	12.5	0.6
0.10	12.5	6.0	9.5	0.6	12.5	8.5	13.5	0.8
0.12	12.5	6.5	10.0	0.6	12.5	9.0	14.5	0.8
0.15	12.5	7.0	10.5	0.6	17.5	7.5	13.0	0.8
0.18	12.5	7.5	11.0	0.6	17.5	8.0	13.5	0.8
0.22	12.5	8.0	11.5	0.6	17.5	8.5	14.5	0.8
0.27	12.5	8.0	13.5	0.6	17.5	9.0	16.0	0.8
0.33	12.5	9.0	14.0	0.8	17.5	10.0	17.0	0.8
0.39	12.5	9.0	16.0	0.8	23.0	9.5	14.5	0.8
0.47	17.5	8.0	13.5	0.8	23.0	9.5	17.0	0.8
0.56	17.5	9.0	14.5	0.8	23.0	10.0	18.5	0.8
0.68	17.5	9.0	16.0	0.8	23.0	11.0	20.0	0.8
0.82	17.5	10.5	16.5	0.8	23.0	12.5	21.0	0.8
1.0	17.5	11.5	18.0	0.8	31.0	11.0	21.5	0.8
0.82	23.0	8.0	15.0	0.8				
1.0	23.0	9.0	16.0	0.8				
1.2	23.0	9.5	18.0	0.8	31.0	12.5	22.0	0.8
1.5	23.0	10.5	19.0	0.8	31.0	14.0	24.5	0.8
1.8	23.0	11.5	20.0	0.8	31.0	15.5	25.5	0.8
1.5	25.5	10.0	18.0	0.8				
1.8	25.5	11.0	19.5	0.8				
2.2	25.5	11.5	21.5	0.8	31.0	17.5	27.5	0.8
2.7	25.5	13.0	23.0	0.8				
2.2	31.0	11.0	19.0	0.8				
2.7	31.0	12.5	20.0	0.8				
3.3	31.0	13.0	22.5	0.8				
4.7	31.0	16.0	25.5	0.8				
6.8	31.0	19.0	29.0	0.8				

GENERAL SPECIFICATION

1. OPERATING TEMPERATURE:

-40°C~+105°C
Derate DC voltage 1.5%/°C above 85°C to 105°C

2. VOLTAGE RANGE:

450 , 630 VDC.

3. CAPACITANCE RANGE:

0.022~6.8 Mfd.
(other rating upon request)

4. DIELECTRIC STRENGTH:

160% of rated voltage for 2 sec.

5. CAPACITANCE TOLERANCE:

±5% , ±10% and ±20%

6. INSULATION RESISTANCE:

C<.33Mfd, R≥ 30,000 Meg. Ohm at 20±3°C.
C≥.33Mfd, RC≥ 10,000 Meg. Ohm x Mfd.

7. DISSIPATION FACTOR:

0.1% max. at 1KHz 20±3°C.

FEATURES

- * This series is using special metallized polypropylene film, which makes the capacitor in small size.
- * Good self-healing property.
- * Coated with flame retardant epoxy.
- * Avoid fatal short circuit.

Maximum pulse rise time(dv/dt) V / μsec

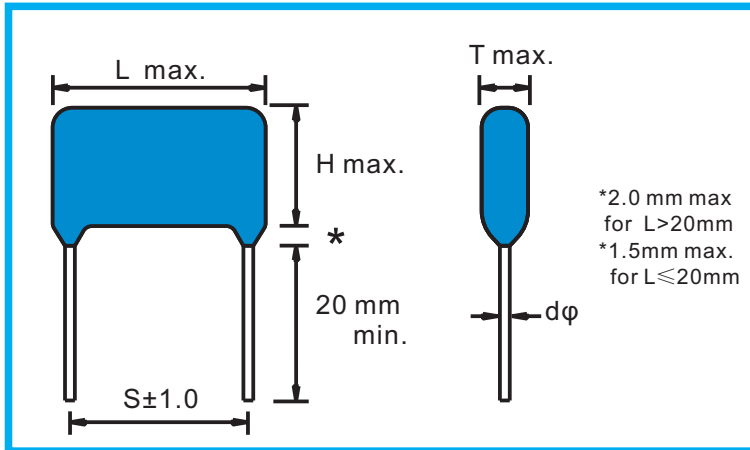
VDC \ S	10.0	15.0	20.0	22.5	27.5
450	120	100	70	60	40
630	150	120	90	80	60

L	12.5	17.5	23.0	25.5	31.0
S	10.0	15.0	20.0	22.5	27.5



METALLIZED POLYPROPYLENE CAPACITOR

NON-INDUCTIVE , MINIATURE SIZE , EPOXY DIP COATED



GENERAL SPECIFICATION

1. OPERATING TEMPERATURE: -40°C ~ +105°C
Derate DC voltage 1.5%/°C above 85°C to 105°C
2. VOLTAGE RANGE: 250VDC, 400VDC, 630 VDC.
3. CAPACITANCE RANGE: 0.01 ~ 8.2Mfd.
4. CAPACITANCE TOLERANCE: ±3% (H), ±5% (J), ±10% (K)
5. INSULATION RESISTANCE: C < 0.33Mfd, R ≥ 100,000 MΩ.
C ≥ 0.33Mfd, RC ≥ 30,000 MΩ x Mfd.
6. DISSIPATION FACTOR: ≤ 0.1% (AT 1.0KHz)
7. DIELECTRIC STRENGTH: 160% of rated voltage for 2 sec.

APPLICATION

High frequency pulse and thyristor circuits, noise suppressor, B+filter in all commercial and industrial equipments.

Maximum pulse rise time (dv/dt) V / μsec

L	13	18	23	26	31
S	10	15	20	22.5	27.5
dφ	0.6	0.8	0.8	0.8	0.8

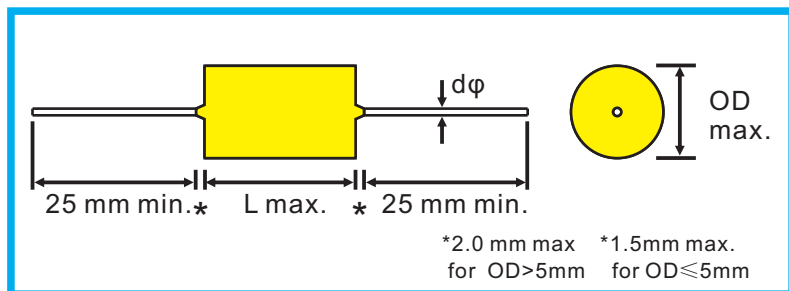
FEATURES

- *High reliability and excellent self-healing characteristics.
- *Low losses and low ESR.
- *Coated with flame retardant epoxy.

VDC Mfd	250			400			630		
	L	T	H	L	T	H	L	T	H
0.010							13.0	5.5	9.0
0.015							13.0	6.5	10.0
0.022							13.0	6.5	12.0
0.033				13.0	5.5	9.0	13.0	8.0	13.0
0.047				13.0	6.0	9.5	18.0	7.0	12.0
0.056				13.0	6.5	10.0	18.0	7.5	12.5
0.068	13.0	5.0	8.5	13.0	6.5	11.0	18.0	8.0	13.0
0.082	13.0	5.5	9.0	13.0	7.0	11.5	18.0	8.5	13.5
0.10	13.0	6.0	9.5	13.0	8.0	12.0	18.0	9.5	14.5
0.15	13.0	7.0	10.5	13.0	9.0	14.0	18.0	10.5	17.0
0.22	13.0	7.5	12.0	18.0	8.0	13.0	23.0	10.5	17.0
0.33	13.0	9.0	14.0	18.0	9.5	14.5	23.0	12.5	19.0
0.39	13.0	10.0	14.5	18.0	10.0	16.0	23.0	13.0	21.0
0.47	18.0	8.0	12.5	18.0	10.5	17.0	23.0	14.5	22.0
0.56	18.0	9.0	13.5	18.0	11.5	18.0	31.0	12.0	21.5
0.68	18.0	9.0	14.0	23.0	10.5	17.0	31.0	13.5	23.0
0.82	18.0	10.0	15.0	23.0	11.0	19.0	31.0	15.0	24.5
1.0	18.0	10.5	17.0	23.0	12.0	20.0	31.0	16.5	26.0
1.5	23.0	10.5	16.5	26.0	13.5	23.0	31.0	20.0	30.0
1.8	23.0	11.5	17.5	26.0	15.0	24.5			
2.2	23.0	12.0	19.5	31.0	14.5	24.0			
2.7	26.0	12.5	20.0	31.0	16.0	26.0			
3.3	26.0	13.0	22.5	31.0	18.0	27.5			
3.9	26.0	14.0	24.0						
4.7	31.0	13.5	23.5						
5.6	31.0	15.0	24.5						
6.8	31.0	16.5	26.0						
8.2	31.0	18.5	28.0						

POLYPROPYLENE FILM CAPACITOR

NON-INDUCTIVE , EXTENDED FOIL , WRAP & FILL WITH EPOXY RESIN



APPLICATION

*Used in communication and industrial electronics as precision timing and oscillation circuit, signal coupling, by passing circuit.

FEATURES

- *Excellent long term stability and high reliability.
- * Negative temperature coefficient can be used in critical circuits.
- * Tape and reel package is available for auto-insertion.

OD	dφ
up to 8.0 mm	0.6 mm
over 8.0 mm	0.8 mm

Maximum pulse rise time(dv/dt) V / μsec

VDC \ L	11.5	13.5	16.0	19.0	23.0	27.0	32.0	37.0
100	4500	4500	2100	2100	1100	900	900	
250	6000	6000	3000	3000	1400	1100	900	
400	14400	14400	7200	7200	3000	2100	2100	900
630		15000	7400	7400	4000	3000	3000	1000
1000				9000	5800	3700	3700	3000

VDC \ Mfd	100		250		400		630		1000	
	OD	L	OD	L	OD	L	OD	L	OD	L
0.0010	5.0	11.5	5.0	11.5	5.0	11.5	5.0	13.5	7.5	19.0
0.0015	5.0	11.5	5.0	11.5	5.0	11.5	5.0	13.5	8.0	19.0
0.0022	5.0	11.5	5.0	11.5	5.0	11.5	6.0	13.5	8.8	19.0
0.0033	5.0	11.5	5.0	11.5	6.0	13.5	7.0	16.0	9.5	19.0
0.0047	5.5	11.5	5.5	11.5	6.5	13.5	7.5	16.0	10.5	19.0
0.0068	6.0	11.5	6.0	11.5	7.0	13.5	7.5	19.0	11.5	19.0
0.010	6.5	11.5	6.5	13.5	7.5	16.0	8.5	19.0	11.5	27.0
0.015	6.5	13.5	7.0	16.0	8.5	16.0	10.0	23.0	12.5	27.0
0.022	7.0	13.5	7.5	16.0	9.5	16.0	11.0	27.0	14.0	27.0
0.033	7.5	16.0	7.5	19.0	9.5	19.0	12.0	32.0	14.0	37.0
0.047	7.5	19.0	8.5	19.0	10.5	19.0	13.0	32.0	16.0	37.0
0.068	8.5	19.0	9.0	23.0	10.5	23.0	14.0	32.0		
0.10	9.5	23.0	10.5	23.0	13.0	27.0	15.5	37.0		
0.15	11.0	27.0	12.5	27.0	13.0	32.0				
0.22	12.5	32.0	13.5	32.0	15.0	32.0				
0.33	14.0	32.0	15.0	32.0	17.0	37.0				
0.47	15.0	32.0								

GENERAL SPECIFICATION

1. OPERATING TEMPERATURE:

- 40°C ~ + 105°C

Derate DC voltage 1.5%/°C above 85°C to 105°C

2. VOLTAGE RANGE:

100 , 250 , 400 , 630 and 1000 VDC.

3. CAPACITANCE RANGE:

0.001~0.47 Mfd.

(other rating upon request)

4. DIELECTRIC STRENGTH:

200% of rated voltage for 2 sec.

5. CAPACITANCE TOLERANCE:

±5% , ±10% and ±20%

±1% , ±2% and ±3% available upon request.

6. INSULATION RESISTANCE:

C<.33Mfd, R≥ 30,000 Meg. Ohm at 20±3°C.

C≥.33Mfd, RC≥ 10,000 Meg. Ohm x Mfd.

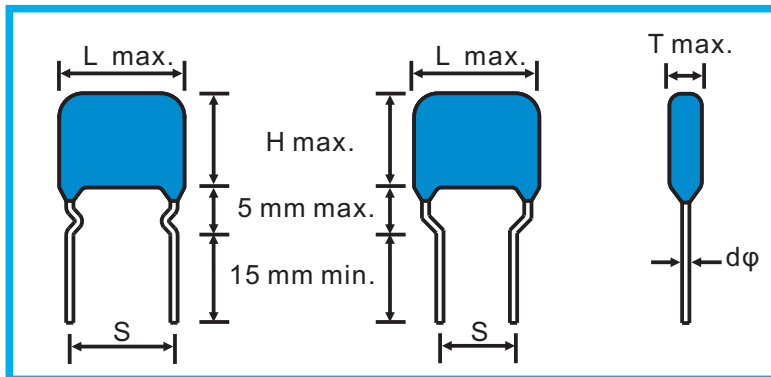
7. DISSIPATION FACTOR:

0.1% max. at 1KHz 20±3°C.



POLYPROPYLENE FILM CAPACITOR

NON-INDUCTIVE , EXTENDED FOIL , EPOXY DIP COATED



APPLICATION

*High frequency tuning, yoke coupling, voltage retrace in T.V. and monitor circuit.

FEATURES

- *Very low dissipation factor, suitable for high frequency application.
- *Negative temperature coefficient.
- *High reliability and high insulation resistance.

Maximum pulse rise time(dv/dt) V / μsec

VDC \ S	10.0	15.0	20.0	27.5	30.0	35.0
100	4500	2100	1100	600		
250	6000	3000	1400	900		
400	14400	7200	3000	2100		600
630	15000	7400	4000	3000		
1000	15000	9000	5800	3700	3500	

L	13.0	19.0	24.0	31.0	35.0	40.0
S	10.0	15.0	20.0	27.5	30.0	35.0
dφ	0.6	0.8	0.8	0.8	0.8	0.8

VDC \ Mfd	100			250			400			630			1000		
	L	T	H	L	T	H	L	T	H	L	T	H	L	T	H
0.0010	13.0	6.0	9.0	13.0	6.0	9.0	13.0	6.0	9.0	13.0	6.0	10.0	13.0	7.5	12.0
0.0022	13.0	6.0	9.0	13.0	6.0	9.0	13.0	6.0	9.0	13.0	7.0	10.0	13.0	8.5	13.5
0.0033	13.0	6.0	9.5	13.0	6.5	9.5	13.0	7.0	10.0	13.0	7.5	11.5	19.0	8.5	13.5
0.0047	13.0	6.5	9.5	13.0	7.0	10.0	13.0	7.5	11.0	13.0	8.0	12.5	19.0	9.5	14.0
0.0068	13.0	7.0	10.0	13.0	7.5	10.5	13.0	8.0	11.5	13.0	9.0	14.0	19.0	10.5	16.0
0.010	13.0	7.5	10.5	13.0	7.5	11.0	13.0	8.5	12.0	19.0	9.0	14.0	24.0	10.0	16.0
0.022	13.0	8.0	11.0	13.0	8.5	12.0	19.0	8.5	13.0	19.0	11.5	17.0	24.0	12.0	18.5
0.033	19.0	8.0	12.0	19.0	8.5	13.0	19.0	9.0	13.5	24.0	11.0	17.0	31.0	12.5	19.0
0.047	19.0	8.5	13.0	19.0	9.0	13.5	24.0	10.0	15.0	24.0	12.0	17.0	31.0	14.0	21.5
0.068	19.0	9.5	15.0	19.0	10.0	15.5	24.0	11.0	16.0	31.0	12.5	18.0	35.0	14.0	24.0
0.082	24.0	10.0	16.0	24.0	11.5	17.0	31.0	11.0	17.0	31.0	13.0	19.0	35.0	15.0	26.5
0.10	24.0	11.0	17.0	24.0	12.5	18.0	31.0	12.0	18.0	31.0	14.0	21.0	35.0	17.0	28.0
0.22	24.0	13.0	19.0	24.0	14.5	20.0	31.0	15.0	21.5						
0.33	31.0	14.0	21.0	31.0	15.0	22.0	40.0	15.5	22.0						
0.39	31.0	15.0	22.0	31.0	16.0	23.0	40.0	16.5	25.0						
0.47	31.0	16.0	23.0	31.0	17.0	24.0	40.0	17.5	27.0						

GENERAL SPECIFICATION

1. OPERATING TEMPERATURE:
 - 40°C ~ + 105°C
 Derate DC voltage 1.5%/°C above 85°C to 105°C

2. VOLTAGE RANGE:
 100 , 250 , 400 , 630 and 1000 VDC.

3. CAPACITANCE RANGE:
 0.001 ~ 0.47Mfd.
 (other rating upon request)

4. DIELECTRIC STRENGTH:
 200% of rated voltage for 2 sec.

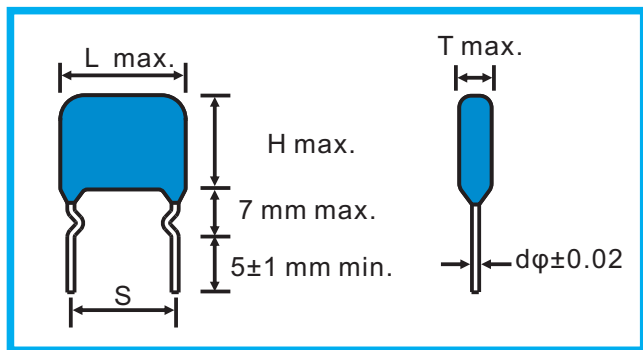
5. CAPACITANCE TOLERANCE:
 ±5% , ±10% and ±20%

6. INSULATION RESISTANCE:
 C < .33Mfd, R ≥ 30,000 Meg. Ohm at 20±3°C.
 C ≥ .33Mfd, RC ≥ 10,000 Meg. Ohm x Mfd.

7. DISSIPATION FACTOR:
 0.1% max. at 1KHz 20±3°C.

POLYPROPYLENE FILM SERIES CAPACITORS, DIPPED

EXTENDED FOIL, FLAME RETARDANT EPOXY COATED, PULSE APPLICATION



FEATURES

- * Ideal for high AC current applications, such as CRT deflection, R-F generators and pulse-forming networks.
- * Temperature coefficient is negative and variety linear over the operation temperature.
- * Coated with flame retardant epoxy resin which provides protection from humidity and mechanical damage.

DIMENSIONS(UNIT:mm)

GENERAL SPECIFICATION

1. OPERATING TEMPERATURE:
- 40°C ~ + 105°C
(capacitor surface)
2. VOLTAGE RANGE:
400 , 630 , 800 VDC.
1000 , 1200 , 1600 , 2000 and 3000 VDC.
3. CAPACITANCE RANGE:
0.0075~0.15 Mfd.
0.001~0.039 Mfd.
(other rating upon request)
4. DIELECTRIC STRENGTH:
200% of rated voltage for 60 sec.
5. CAPACITANCE TOLERANCE:
±3% , ±5% and ±10%
6. INSULATION RESISTANCE:
100,000 MΩ min.
7. DISSIPATION FACTOR:
0.1% max. at 1KHz

Vr SIZES CAP(μF)	400 VDC					630 VDC					800 VDC				
	L	T	H	S	dφ	L	T	H	S	dφ	L	T	H	S	dφ
0.0075											20.0	7.5	12.0	15.0	0.8
0.0082											20.0	8.0	12.5	15.0	0.8
0.0091											20.0	8.0	13.0	15.0	0.8
0.010											20.0	8.5	13.5	15.0	0.8
0.011											20.0	8.5	13.5	15.0	0.8
0.012											20.0	9.0	14.0	15.0	0.8
0.013											20.0	9.0	14.0	15.0	0.8
0.015						20.0	7.0	11.5	15.0	0.8	20.0	9.0	16.0	15.0	0.8
0.016						20.0	7.5	11.5	15.0	0.8	20.0	9.0	16.0	15.0	0.8
0.018	20.0	7.0	11.0	15.0	0.8	20.0	8.0	13.0	15.0	0.8	20.0	9.5	16.5	15.0	0.8
0.020	20.0	7.0	11.5	15.0	0.8	20.0	8.0	13.5	15.0	0.8	20.0	10.5	17.0	15.0	0.8
0.022	20.0	7.5	11.5	15.0	0.8	20.0	8.5	13.5	15.0	0.8	20.0	10.5	17.5	15.0	0.8
0.024	20.0	7.5	12.0	15.0	0.8	20.0	8.5	14.5	15.0	0.8	25.0	8.5	15.5	20.0	0.8
0.027	20.0	8.0	12.0	15.0	0.8	20.0	9.0	14.5	15.0	0.8	25.0	9.0	16.0	20.0	0.8
0.030	20.0	8.5	12.5	15.0	0.8	20.0	9.5	14.5	15.0	0.8	25.0	9.5	16.5	20.0	0.8
0.033	20.0	8.5	13.5	15.0	0.8	20.0	9.5	16.0	15.0	0.8	25.0	10.0	17.0	20.0	0.8
0.036	20.0	8.5	13.5	15.0	0.8	20.0	9.5	16.5	15.0	0.8	25.0	10.5	17.5	20.0	0.8
0.039	20.0	9.0	14.0	15.0	0.8	20.0	10.0	17.0	15.0	0.8	25.0	11.0	18.0	20.0	0.8
0.043	20.0	9.0	14.5	15.0	0.8	20.0	10.5	17.0	15.0	0.8	25.0	11.5	18.5	20.0	0.8
0.047	20.0	9.0	15.5	15.0	0.8	20.0	11.0	17.5	15.0	0.8	25.0	11.5	19.5	20.0	0.8
0.051	20.0	9.5	16.0	15.0	0.8	25.0	9.0	15.5	20.0	0.8					
0.056	20.0	10.0	16.5	15.0	0.8	25.0	9.5	16.0	20.0	0.8					
0.062	20.0	10.5	17.0	15.0	0.8	25.0	10.0	16.5	20.0	0.8					
0.068	20.0	11.5	17.5	15.0	0.8	25.0	10.0	16.5	20.0	0.8					
0.075	25.0	9.0	15.5	20.0	0.8	25.0	10.5	17.0	20.0	0.8					
0.082	25.0	9.5	16.0	20.0	0.8	25.0	11.0	17.5	20.0	0.8					
0.091	25.0	10.0	16.5	20.0	0.8	25.0	11.0	19.0	20.0	0.8					
0.10	25.0	10.5	17.0	20.0	0.8	25.0	11.5	19.5	20.0	0.8					
0.11	25.0	11.0	17.5	20.0	0.8	25.0	12.0	20.0	20.0	0.8					
0.12	25.0	11.5	18.0	20.0	0.8	25.0	12.5	21.0	20.0	0.8					
0.13	25.0	11.0	19.5	20.0	0.8	25.0	13.0	21.5	20.0	0.8					
0.15	25.0	12.0	20.5	20.0	0.8	25.0	14.0	22.5	20.0	0.8					



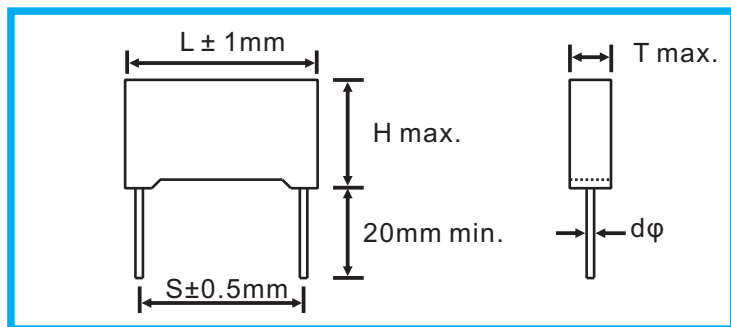
POLYPROPYLENE FILM SERIES CAPACITORS, DIPPED

Vr SIZES CAP(μF)	1000 VDC					1200 VDC					1600 VDC				
	L	T	H	S	dφ	L	T	H	S	dφ	L	T	H	S	dφ
0.0010	20.0	7.5	10.5	15.0	0.8	20.0	7.5	10.5	15.0	0.8	20.0	7.5	10.5	15.0	0.8
0.0011	20.0	7.5	11.0	15.0	0.8	20.0	7.5	11.0	15.0	0.8	20.0	7.5	11.5	15.0	0.8
0.0012	20.0	7.5	11.5	15.0	0.8	20.0	7.5	11.5	15.0	0.8	20.0	7.5	11.5	15.0	0.8
0.0013	20.0	7.5	12.0	15.0	0.8	20.0	7.5	12.0	15.0	0.8	20.0	7.5	12.0	15.0	0.8
0.0015	20.0	8.0	12.5	15.0	0.8	20.0	8.0	12.5	15.0	0.8	20.0	8.0	12.5	15.0	0.8
0.0016	20.0	7.0	11.5	15.0	0.8	20.0	7.0	11.5	15.0	0.8	20.0	7.0	11.5	15.0	0.8
0.0018	20.0	7.5	11.5	15.0	0.8	20.0	7.5	11.5	15.0	0.8	20.0	7.5	11.5	15.0	0.8
0.0020	20.0	8.0	12.0	15.0	0.8	20.0	8.0	12.0	15.0	0.8	20.0	8.0	12.0	15.0	0.8
0.0022	20.0	8.0	12.0	15.0	0.8	20.0	8.0	12.0	15.0	0.8	20.0	8.0	12.0	15.0	0.8
0.0024	20.0	7.0	10.0	15.0	0.8	20.0	7.0	10.0	15.0	0.8	20.0	8.5	12.5	15.0	0.8
0.0027	20.0	7.0	10.0	15.0	0.8	20.0	7.0	10.0	15.0	0.8	20.0	8.5	13.0	15.0	0.8
0.0030	20.0	7.0	10.5	15.0	0.8	20.0	7.0	10.5	15.0	0.8	20.0	8.5	13.5	15.0	0.8
0.0033	20.0	7.0	11.0	15.0	0.8	20.0	7.0	11.0	15.0	0.8	20.0	9.0	14.0	15.0	0.8
0.0036	20.0	7.5	11.5	15.0	0.8	20.0	7.5	11.5	15.0	0.8	20.0	9.0	14.5	15.0	0.8
0.0039	20.0	7.5	11.5	15.0	0.8	20.0	7.5	11.5	15.0	0.8	20.0	9.0	15.5	15.0	0.8
0.0043	20.0	7.0	10.5	15.0	0.8	20.0	7.5	12.0	15.0	0.8	20.0	9.5	16.0	15.0	0.8
0.0047	20.0	7.0	11.0	15.0	0.8	20.0	8.0	12.0	15.0	0.8	25.0	8.0	13.0	20.0	0.8
0.0051	20.0	7.5	11.5	15.0	0.8	20.0	8.5	12.5	15.0	0.8	25.0	8.5	13.5	20.0	0.8
0.0056	20.0	7.5	11.5	15.0	0.8	20.0	8.5	13.0	15.0	0.8	25.0	9.0	13.5	20.0	0.8
0.0062	20.0	8.0	12.0	15.0	0.8	20.0	8.5	13.5	15.0	0.8	25.0	9.5	14.0	20.0	0.8
0.0068	20.0	8.0	12.5	15.0	0.8	20.0	9.0	14.0	15.0	0.8	25.0	9.5	15.5	20.0	0.8
0.0075	20.0	8.5	12.5	15.0	0.8	20.0	9.0	14.5	15.0	0.8	25.0	9.5	16.0	20.0	0.8
0.0082	20.0	8.5	13.5	15.0	0.8	20.0	9.0	15.5	15.0	0.8	25.0	9.5	16.0	20.0	0.8
0.0091	20.0	8.5	14.0	15.0	0.8	20.0	9.5	16.0	15.0	0.8	25.0	10.0	16.5	20.0	0.8
0.010	20.0	9.0	14.0	15.0	0.8	20.0	9.5	16.5	15.0	0.8	25.0	10.5	17.0	20.0	0.8
0.011	20.0	9.0	15.5	15.0	0.8	20.0	10.0	17.0	15.0	0.8	25.0	11.0	17.5	20.0	0.8
0.012	20.0	9.5	16.0	15.0	0.8	20.0	10.5	17.5	15.0	0.8	25.0	11.5	18.0	20.0	0.8
0.013	20.0	9.5	16.0	15.0	0.8	25.0	9.0	15.5	20.0	0.8	25.0	11.5	19.0	20.0	0.8
0.015	20.0	10.0	16.5	15.0	0.8	25.0	9.5	16.0	20.0	0.8	25.0	12.0	20.0	20.0	0.8
0.016	20.0	10.5	17.0	15.0	0.8	25.0	10.0	16.5	20.0	0.8	25.0	12.5	20.5	20.0	0.8
0.018	20.0	11.5	17.5	15.0	0.8	25.0	10.5	17.0	20.0	0.8	25.0	13.0	21.0	20.0	0.8
0.020	25.0	9.0	15.5	20.0	0.8	25.0	10.5	17.5	20.0	0.8	25.0	13.5	21.5	20.0	0.8
0.022	25.0	9.5	16.0	20.0	0.8	25.0	11.0	18.0	20.0	0.8					
0.024	25.0	10.0	16.5	20.0	0.8	25.0	11.0	19.0	20.0	0.8					
0.027	25.0	10.5	17.0	20.0	0.8	25.0	12.0	20.0	20.0	0.8					
0.030	25.0	11.0	17.5	20.0	0.8	25.0	12.5	20.5	20.0	0.8					
0.033	25.0	11.0	19.0	20.0	0.8	25.0	13.0	21.5	20.0	0.8					
0.036	25.0	11.5	19.5	20.0	0.8										
0.039	25.0	12.5	20.5	20.0	0.8										

Vr SIZES CAP(μF)	2000 VDC					3000 VDC				
	L	T	H	S	dφ	L	T	H	S	dφ
0.0010	20.0	7.5	10.5	15.0	0.8	25.0	8.0	13.5	20.0	0.8
0.0011	20.0	7.5	11.0	15.0	0.8	25.0	9.0	14.0	20.0	0.8
0.0012	20.0	7.5	11.5	15.0	0.8	25.0	9.0	14.0	20.0	0.8
0.0013	20.0	7.5	12.0	15.0	0.8	25.0	9.5	14.5	20.0	0.8
0.0015	20.0	8.0	12.5	15.0	0.8	25.0	10.0	15.0	20.0	0.8
0.0016	20.0	8.0	13.0	15.0	0.8	25.0	10.0	15.0	20.0	0.8
0.0018	20.0	8.5	13.5	15.0	0.8	25.0	10.5	15.5	20.0	0.8
0.0020	20.0	8.5	14.0	15.0	0.8	25.0	11.0	16.0	20.0	0.8
0.0022	20.0	9.0	14.0	15.0	0.8	25.0	11.0	17.0	20.0	0.8
0.0024	20.0	9.0	15.5	15.0	0.8	25.0	11.0	17.5	20.0	0.8
0.0027	20.0	9.0	16.0	15.0	0.8	25.0	11.0	19.0	20.0	0.8
0.0030	20.0	9.5	16.0	15.0	0.8	25.0	11.5	19.5	20.0	0.8
0.0033	20.0	10.0	16.5	15.0	0.8	25.0	12.0	20.5	20.0	0.8
0.0036	20.0	10.5	17.0	15.0	0.8	25.0	12.5	21.0	20.0	0.8
0.0039	20.0	11.0	17.5	15.0	0.8	30.0	11.0	17.5	25.0	0.8
0.0043	20.0	11.5	18.0	15.0	0.8	30.0	11.0	19.0	25.0	0.8
0.0047	25.0	9.0	15.5	20.0	0.8	30.0	11.5	19.5	25.0	0.8
0.0051	25.0	9.5	16.0	20.0	0.8	30.0	12.0	20.0	25.0	0.8
0.0056	25.0	10.0	16.5	20.0	0.8	30.0	12.5	20.5	25.0	0.8
0.0062	25.0	10.5	17.0	20.0	0.8	30.0	13.0	21.0	25.0	0.8
0.0068	25.0	11.0	17.0	20.0	0.8	30.0	13.5	21.5	25.0	0.8
0.0075	25.0	11.0	17.5	20.0	0.8					
0.0082	25.0	11.0	19.0	20.0	0.8					
0.0091	25.0	11.5	19.5	20.0	0.8					
0.010	25.0	12.0	20.5	20.0	0.8					

METALLIZED POLYESTER CAPACITOR

NON-INDUCTIVE , LOW SELF INDUCTANCE , FLAME RETARDANT ENCASED



FEATURES

- * Uniform shape and high density package.
- * Case impervious to known solvents.
- * Self-healing property.
- * Other lead spacing available on request.

Maximum pulse rise time(dv/dt) V / μsec

VDC \ S	7.5	10.0	15.0	22.5	27.5
100	6.0	6.0	3.0	2.0	1.0
250	15.0	11.0	7.0	4.0	3.0
400		20.0	10.0	5.5	5.0
630		30.0	15.0	8.0	7.0

VDC \ Mfd	100 VDC case code	250 VDC case code	400 VDC case code	630 VDC case code
0.010	B1	B1/C1	C1	C2
0.015	B1	B1/C1	C1	C2
0.022	B1	B2/C1	C1	C2
0.033	B1	B2/C1	C2	D1
0.047	B1	B2/C1	C3	D2
0.068	B2	C1	D1	D3
0.10	B2/C1	C2	D2	E1
0.15	B2/C1	D1	D3	E2
0.22	C2	D1	E1	E3
0.33	C3/D1	D2	E2	F1
0.47	D1	E1	E3	F1
0.68	D2	E2	F1	F2
1.0	D3	E3	F1	
1.5	E2	F1	F2	
2.2	E3	F1		
3.3	E4	F2		
4.7	F1	G1		
6.8	F2			

CASE CODE	L	T	H	S	dφ
B1	10.5	3.5	6.5	7.5	0.6
B2	10.5	4.0	9.0	7.5	0.6
C1	13.0	4.0	9.0	10.0	0.6
C2	13.0	5.0	11.0	10.0	0.6
C3	13.0	6.0	12.0	10.0	0.6
D1	18.0	5.0	11.0	15.0	0.8
D2	18.0	6.0	12.0	15.0	0.8
D3	18.0	7.5	13.5	15.0	0.8
D4	18.0	8.5	14.5	15.0	0.8
E1	26.5	6.0	15.0	22.5	0.8
E2	26.5	7.0	16.5	22.5	0.8
E3	26.5	8.5	17.0	22.5	0.8
E4	26.5	10.0	19.0	22.5	0.8
F1	32.0	11.0	20.0	27.5	0.8
F2	32.0	13.0	22.0	27.5	0.8
G1	32.0	15.0	30.0	27.5	0.8

GENERAL SPECIFICATION

1. OPERATING TEMPERATURE:

- 40°C ~ + 125°C
Derate DC voltage 1.25%/°C above 85°C to 125°C

2. VOLTAGE RANGE:

100 , 250 , 400 and 630 VDC.

3. CAPACITANCE RANGE:

0.01~6.8 Mfd.
(other rating upon request)

4. DIELECTRIC STRENGTH:

160% of rated voltage for 2 sec.

5. CAPACITANCE TOLERANCE:

±5% , ±10% and ±20%.

6. INSULATION RESISTANCE:

C < .33Mfd, R ≥ 15,000 Meg. Ohm at 20±3°C.
C ≥ .33Mfd, RC ≥ 5,000 Meg. Ohm x Mfd.

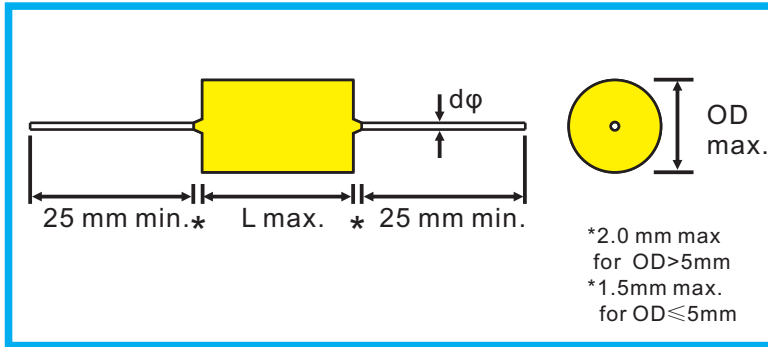
7. DISSIPATION FACTOR:

1.0% max. at 1KHz 20±3°C.

*Please stipulate Case-Code required when submit the enquiry.

METALLIZED POLYESTER CAPACITOR

NON-INDUCTIVE , WRAP & FILL WITH EPOXY RESIN



Maximum pulse rise time(dv/dt) V / μsec

VDC \ L	10.5	14.0	19.0	25.0	32.0	37.0	43.0	47.0
100	7.0	5.0	3.0	2.0	1.0	0.9	0.8	0.7
250	13.0	10.0	7.0	4.0	2.5	1.5	1.0	0.8
400		13.5	10.0	6.5	4.0	3.0	1.5	1.0
630		20.0	15.0	10.0	6.0	4.5	3.0	1.8

VDC \ Mfd	100		250		400		630	
	OD	L	OD	L	OD	L	OD	L
0.010	5.0	10.5	5.0	10.5	5.5	14.0	6.0	14.0
0.015	5.0	10.5	5.0	10.5	5.5	14.0	6.5	14.0
0.022	5.0	10.5	5.0	10.5	5.5	14.0	7.0	14.0
0.033	5.0	10.5	5.0	10.5	6.0	14.0	6.5	19.0
0.047	5.5	10.5	5.5	14.0	7.0	14.0	7.5	19.0
0.068	5.5	10.5	5.5	14.0	6.5	19.0	8.5	19.0
0.10	6.0	10.5	6.0	14.0	7.5	19.0	9.5	25.0
0.15	6.0	14.0	7.0	14.0	8.5	19.0	10.5	25.0
0.22	6.5	14.0	7.0	19.0	8.5	25.0	10.5	32.0
0.33	7.5	14.0	8.0	19.0	10.0	25.0	11.5	32.0
0.47	7.0	19.0	9.5	19.0	11.0	32.0	14.0	32.0
0.68	8.0	19.0	9.5	25.0	13.0	32.0	17.0	32.0
0.82	8.5	19.0	10.0	25.0	14.5	32.0	19.5	32.0
1.0	9.5	19.0	10.5	25.0	15.5	32.0	20.5	32.0
1.2	10.0	19.0	12.5	25.0	16.5	32.0	23.0	32.0
1.5	9.5	25.0	11.5	32.0	17.5	32.0	19.5	47.0
2.2	11.5	25.0	13.5	32.0	18.5	37.0		
3.3	13.5	25.0	16.5	32.0	21.5	43.0		
4.7	14.0	32.0	18.0	37.0	25.5	43.0		
5.6	15.0	32.0	20.0	37.0				
6.8	17.0	32.0	19.5	43.0				
8.2	18.0	32.0	20.5	47.0				
10.0	19.5	32.0	22.5	47.0				
12.0	20.5	37.0						
15.0	21.0	47.0						
18.0	21.0	47.0						
20.0	21.0	47.0						
22.0	23.0	47.0						
30.0	26.5	47.0						

GENERAL SPECIFICATION

1. OPERATING TEMPERATURE:

- 40°C ~ + 125°C

Derate DC voltage 1.25%/°C above 85°C to 125°C

2. VOLTAGE RANGE:

100 , 250 , 400 and 630 VDC.

3. CAPACITANCE RANGE:

0.010 ~ 30.0 Mfd.

(other rating upon request)

4. DIELECTRIC STRENGTH:

160% of rated voltage for 2 sec.

5. CAPACITANCE TOLERANCE:

±5% , ±10% and ±20%.

6. INSULATION RESISTANCE:

C<.33Mfd, R≥ 15,000 Meg. Ohm at 20±3°C.

C≥.33Mfd, RC≥ 5,000 Meg. Ohm x Mfd.

7. DISSIPATION FACTOR:

1.0% max. at 1KHz 20±3°C.

APPLICATION

Analog computer reference and low frequency tuned circuit for communication and electronic industries.

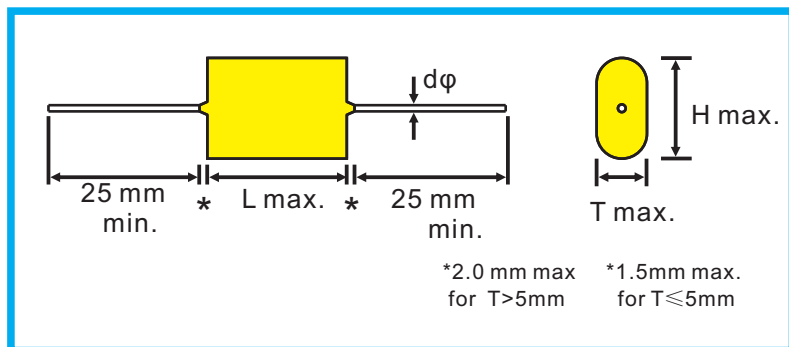
FEATURES

- * High reliability.
- * Miniature size and light weight.
- * Self-healing property.
- * Tape and reel package for auto-insertion is available.

OD	dφ
up to 8.0 mm	0.6 mm
over 8.0 mm	0.8 mm

METALLIZED POLYESTER CAPACITOR

AXIAL LEAD , WRAP & FILL WITH EPOXY RESIN, FLAT OVAL SHAPE



GENERAL SPECIFICATION

1. OPERATING TEMPERATURE:
- 40°C ~ + 125°C
Derate DC voltage 1.25%/°C above 85°C to 125°C

2. VOLTAGE RANGE:
100 , 250 , 400 and 630 VDC.

3. CAPACITANCE RANGE:
0.1~18.0 Mfd.
(other rating upon request)

4. DIELECTRIC STRENGTH:
160% of rated voltage for 2 sec.

5. CAPACITANCE TOLERANCE:
±5% , ±10% and ±20%.

6. INSULATION RESISTANCE:
C<.33Mfd, R≥ 15,000 Meg. Ohm at 20±3°C.
C≥.33Mfd, RC≥ 5,000 Meg. Ohm x Mfd.

7. DISSIPATION FACTOR:
1.0% max. at 1KHz 20±3°C.

APPLICATION

*Widely used in communication and industrial equipments as coupling , by-passing and blocking.

FEATURES

- * High reliability, high capacitance, and excellent electrical characteristics.
- * Self-healing property.

Maximum pulse rise time(dv/dt) V / μsec

VDC \ L	14.0	19.0	25.0	32.0	37.0	43.0	47.0
100	5.0	3.0	2.0	1.0	0.9	0.8	0.7
250	10.0	7.0	4.0	2.5	1.5	1.0	0.8
400	13.5	10.0	6.5	4.0	3.0	1.5	1.0
630	20.0	15.0	10.0	6.0	4.5	3.0	1.8

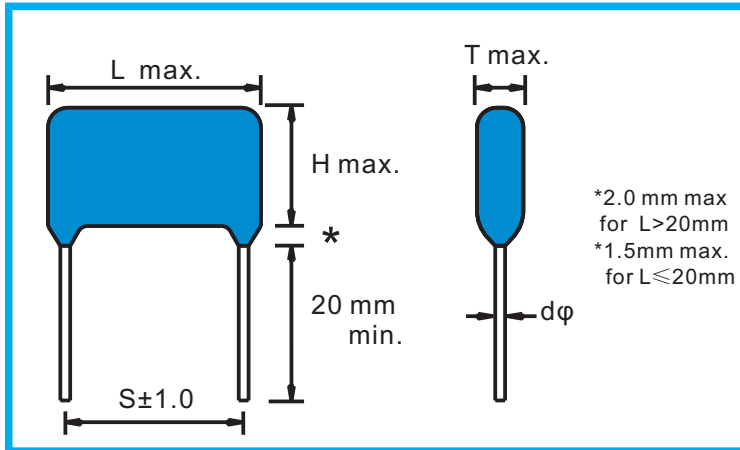
L	14.0	19.0	25.0	32.0	37.0	43.0	47.0
dφ	0.6	0.6	0.8	0.8	0.8	0.8	1.0

VDC \ Mfd	100			250			400			630		
	L	T	H	L	T	H	L	T	H	L	T	H
0.10	14.0	4.5	8.0	14.0	4.5	8.0	19.0	5.0	10.0	25.0	6.5	11.5
0.15	14.0	4.5	8.0	14.0	5.0	9.0	19.0	6.5	11.0	25.0	8.0	13.0
0.22	14.0	5.0	8.5	19.0	5.0	9.0	25.0	6.5	12.0	25.0	9.0	15.0
0.33	19.0	4.5	8.0	19.0	5.5	10.5	25.0	7.5	13.5	32.0	9.0	15.0
0.47	19.0	5.0	9.0	25.0	5.5	11.0	32.0	7.5	14.5	32.0	12.0	17.0
0.68	19.0	5.5	10.5	25.0	6.5	12.5	32.0	9.0	16.0	32.0	15.0	20.5
1.0	19.0	6.0	12.0	25.0	7.5	13.5	32.0	10.5	18.5	47.0	14.0	20.0
1.5	25.0	7.0	12.5	32.0	8.5	15.0	37.0	12.0	22.0	47.0	16.5	23.5
2.2	25.0	8.0	14.0	32.0	10.0	16.5	43.0	13.5	23.5	47.0	17.5	27.0
3.3	25.0	10.0	16.5	37.0	10.5	20.5	47.0	15.0	23.5	47.0	21.0	34.0
4.7	32.0	10.0	18.0	43.0	11.0	21.0	47.0	18.0	27.0			
6.8	32.0	11.0	21.0	47.0	14.0	23.0	47.0	22.0	34.0			
10.0	37.0	13.0	24.0	47.0	15.5	27.0						
12.0	43.0	13.5	26.0	47.0	17.5	31.0						
15.0	47.0	15.0	28.0									
18.0	47.0	18.0	31.0									



METALLIZED POLYESTER CAPACITOR

NON-INDUCTIVE , HIGH MOISTURE RESISANCE ,EPOXY DIP COATED



GENERAL SPECIFICATION

- OPERATING TEMPERATURE:**
-40°C~+125°C
Derate DC voltage 1.25%/°C above 85°C to 125°C
- VOLTAGE RANGE:**
100 , 250 , 400 , 630 VDC.
- CAPACITANCE RANGE:**
0.01~6.8Mfd.
(other rating upon request)
- DIELECTRIC STRENGTH:**
160% of rated voltage for 2 sec.
- CAPACITANCE TOLERANCE:**
±5% , ±10% and ±20%
- INSULATION RESISTANCE:**
C<.33Mfd, R≥ 15,000 Meg. Ohm at 20±3°C.
C≥.33Mfd, RC≥ 5,000 Meg. Ohm x Mfd.
- DISSIPATION FACTOR:**
1.0% max. at 1KHz 25°C.

FEATURES

Metallized polyester film, non-inductive wound construction Self-healing property.
Coated with flame retardant epoxy.

Maximum pulse rise time (dv/dt) V / μsec

VDC \ S	10.0	15.0	22.5	27.5
100	6.0	3.0	2.0	1.0
250	11.0	7.0	4.0	3.0
400	20.0	10.0	5.5	5.0
630	30.0	15.0	8.0	7.0

L	12.5	18.0	23.0	26.0	31.0
S	10.0	15.0	20.0	22.5	27.5
dφ	0.6	0.8	0.8	0.8	0.8

APPLICATION

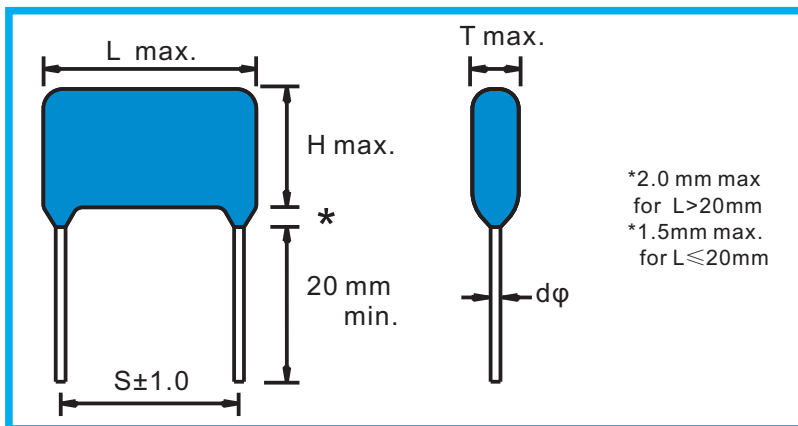
General purpose.

VDC \ Mfd	100			250			400			630		
	L	T	H	L	T	H	L	T	H	L	T	H
0.010										12.5	5.0	9.5
0.015							12.5	5.0	9.5	12.5	6.0	10.0
0.022							12.5	5.0	9.5	12.5	6.5	11.0
0.033				12.5	5.0	9.0	12.5	5.5	10.5	18.0	6.0	11.0
0.047				12.5	5.0	9.5	12.5	6.0	10.5	18.0	6.5	11.5
0.068				12.5	5.0	9.5	18.0	6.0	10.5	18.0	7.0	12.5
0.10	12.5	5.0	9.5	12.5	5.5	10.0	18.0	6.5	11.5	26.0	7.0	13.0
0.15	12.5	5.0	10.0	18.0	5.5	10.5	26.0	6.0	12.5	26.0	8.5	14.0
0.22	12.5	5.5	10.0	18.0	6.5	11.5	26.0	7.0	13.5	26.0	10.0	16.5
0.33	18.0	5.5	10.5	18.0	7.0	12.5	26.0	8.5	15.5	31.0	10.5	17.5
0.47				18.0	9.0	14.0						
0.47	18.0	6.0	11.5	26.0	7.0	12.5	26.0	9.5	18.0	31.0	12.0	19.5
0.68				23.0	8.5	14.5	23.0	12.5	19.0			
0.68	18.0	6.5	12.0	26.0	8.0	14.5	31.0	10.0	17.5	31.0	15.0	22.5
1.0				23.0	9.0	16.0						
1.0	18.0	7.5	14.0	26.0	9.0	16.0	31.0	12.0	20.0	31.0	17.5	28.0
1.5	26.0	7.5	14.5	31.0	9.5	17.0						
2.2	23.0	9.0	16.0									
2.2	26.0	9.0	16.0	31.0	11.5	19.0						
3.3	26.0	11.0	19.0	31.0	14.0	23.0						
4.7	31.0	12.0	23.0									
6.8	31.0	14.0	25.0									



METALLIZED POLYESTER CAPACITOR

NON-INDUCTIVE , MINIATURE SIZE , HIGH MOISTURE RESISTANCE ,EPOXY DIP COATED



GENERAL SPECIFICATION

- 1. OPERATING TEMPERATURE:**
- 40°C ~ + 125°C
Derate DC voltage 1.25%/°C above 85°C to 125°C
- 2. VOLTAGE RANGE:**
250 , 400 and 630 VDC.
- 3. CAPACITANCE RANGE:**
0.01~10.0Mfd.
(other rating upon request)
- 4. DIELECTRIC STRENGTH:**
160% of rated voltage for 2 sec.
- 5. CAPACITANCE TOLERANCE:**
±5% , ±10% and ±20%
- 6. INSULATION RESISTANCE:**
C < .33Mfd, R ≥ 9,000 Meg. Ohm at 20±3°C.
C ≥ .33Mfd, RC ≥ 3,000 Meg. Ohm x Mfd.
- 7. DISSIPATION FACTOR:**
1.0% max. at 1KHz 20±3°C.

VDC \ Mfd	250			400			630		
	L	T	H	L	T	H	L	T	H
0.010							12.5	5.0	8.5
0.012							12.5	5.0	8.5
0.015							12.5	5.5	8.5
0.018							12.5	5.5	10.0
0.022							12.5	5.5	10.5
0.027							12.5	6.5	11.0
0.033							12.5	6.5	11.0
0.039				12.5	5.0	8.0	12.5	7.0	11.5
0.047				12.5	5.5	8.5	12.5	7.5	12.0
0.056				12.5	5.5	9.5	18.0	6.0	11.0
0.068				12.5	6.0	10.0	18.0	6.5	11.5
0.082				12.5	6.5	10.5	18.0	7.0	12.0
0.10				12.5	7.0	11.0	18.0	7.0	13.5
0.12	12.5	5.0	9.0	12.5	7.5	11.5	18.0	7.5	15.0
0.15	12.5	5.0	9.0	18.0	5.5	12.0	18.0	8.0	16.0
0.18	12.5	5.0	10.5	18.0	5.5	12.5	18.0	8.5	16.0
0.22	12.5	6.5	10.5	18.0	6.5	13.0	18.0	9.5	17.5
0.27	12.5	6.5	11.0	18.0	6.5	14.0	26.0	8.0	17.5
0.33	12.5	6.5	12.0	18.0	7.5	14.0	26.0	8.5	18.0
0.39	18.0	5.5	12.0	18.0	8.0	15.0	26.0	9.0	19.0
0.47	18.0	6.0	12.5	18.0	8.5	16.5	26.0	10.5	19.0
0.56	18.0	6.5	13.0	26.0	7.0	15.0	26.0	11.0	20.5
0.68	18.0	7.0	13.5	26.0	7.5	17.0	26.0	12.0	22.0
0.82	18.0	7.0	15.0	26.0	8.0	17.5	31.0	12.5	21.0
1.0	18.0	8.0	16.0	26.0	8.5	18.5	31.0	14.0	22.5
1.2	18.0	8.5	16.5	26.0	9.0	19.0	31.0	15.5	24.5
1.5	18.0	9.5	17.5	31.0	9.5	19.0	31.0	17.5	26.5
1.8	26.0	7.5	15.5	31.0	11.0	20.5	31.0	19.0	28.5
2.2	26.0	9.0	17.5	31.0	11.5	21.5	31.0	21.0	30.5
2.7	26.0	10.5	17.5	31.0	13.5	23.5			
3.3	26.0	11.0	19.5	31.0	15.5	25.5			
3.9	26.0	12.0	21.0						
4.7	26.0	12.5	22.5						
5.6	31.0	13.0	21.5						
6.8	31.0	14.0	22.5						
8.2	31.0	15.5	24.0						
10.0	31.0	16.0	26.5						

APPLICATION

This type capacitor can be used in blocking, by passing, filtering, timing, interference suppression, low pulse applications (< 20 KHz).

FEATURES

Special metallized polyester film is used for small size construction.
Self-healing property.
Coated with flame retardant epoxy.

Maximum pulse rise time(dv/dt) V / μsec

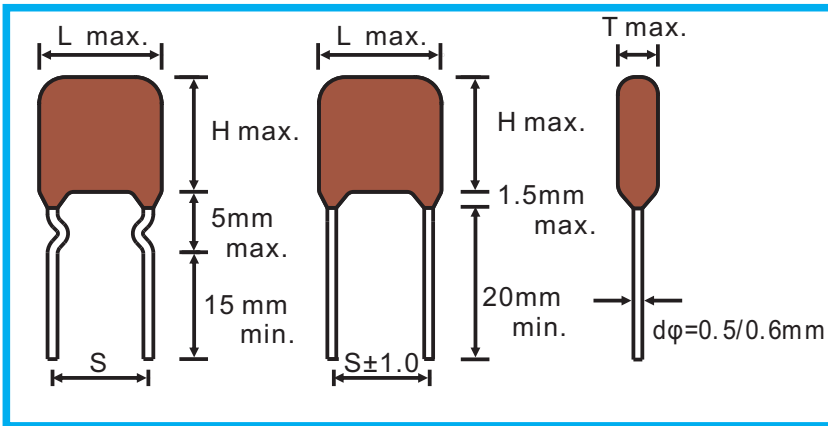
VDC \ S	10.0	15.0	22.5	27.5
250	11.0	7.0	4.0	3.0
400	20.0	10.0	5.5	5.0
630	30.0	15.0	8.0	7.0

L	12.5	18.0	26.0	31.0
S	10.0	15.0	22.5	27.5
dφ	0.6	0.8	0.8	0.8



METALLIZED POLYESTER CAPACITOR

NON-INDUCTIVE , MINIATURE SIZE, EPOXY DIP COATED



Maximum pulse rise time
(dv/dt) V / μsec

VDC \ S	5.0	7.5
63	25	20
100	30	25
250	35	30

L	7.5	10.5
S	5.0	7.5

VDC \ Mfd	63			100			250		
	L	T	H	L	T	H	L	T	H
0.0082	7.5	4.0	7.5	7.5	4.0	7.5	7.5	4.0	7.5
0.010	7.5	4.0	7.5	7.5	4.0	7.5	7.5	4.0	7.5
0.015	7.5	4.0	7.5	7.5	4.0	7.5	7.5	4.0	7.5
0.018	7.5	4.0	7.5	7.5	4.0	7.5	7.5	4.0	7.5
0.022	7.5	4.0	7.5	7.5	4.0	7.5	7.5	4.0	7.5
0.033	7.5	4.0	7.5	7.5	4.0	7.5	7.5	4.5	8.5
0.047	7.5	4.0	7.5	7.5	4.0	7.5	10.5	5.0	8.5
0.056	7.5	4.0	7.5	7.5	4.0	7.5	10.5	5.0	8.5
0.068	7.5	4.0	7.5	7.5	4.0	7.5	10.5	5.0	8.5
0.082	7.5	4.5	7.5	7.5	4.5	8.0	10.5	5.0	8.5
0.10	7.5	4.5	7.5	7.5	4.5	8.5	10.5	5.5	9.0
0.15	7.5	4.5	8.0	10.5	5.0	8.5	10.5	6.5	10.0
0.18	7.5	4.5	8.5	10.5	5.0	9.0			
0.22	7.5	4.5	8.5	10.5	5.5	9.5			
0.33	7.5	4.5	8.5	10.5	6.0	10.0			
0.47	7.5	5.0	8.5	10.5	7.0	11.0			
0.56	7.5	5.0	8.5	10.5	7.5	11.5			
0.68	10.5	5.5	9.0						
0.82	10.5	5.5	9.5						
1.0	10.5	5.5	10.0						

GENERAL SPECIFICATION

1. OPERATING TEMPERATURE:

- 40°C ~ + 125°C
Derate DC voltage 1.25%/°C above 85°C to 125°C

2. VOLTAGE RANGE:

63 , 100 and 250 VDC.

3. CAPACITANCE RANGE:

0.0082~1.0Mfd.
(other rating upon request)

4. DIELECTRIC STRENGTH:

160% of rated voltage for 2 sec.

5. CAPACITANCE TOLERANCE:

±5% and ±10% .

6. INSULATION RESISTANCE:

C<.33Mfd, R≥ 4,500 Meg. Ohm at 20±3°C.
C≥.33Mfd, RC≥ 1,500 Meg. Ohm x Mfd.

7. DISSIPATION FACTOR:

1.0% max. at 1KHz 20±3°C.

APPLICATION

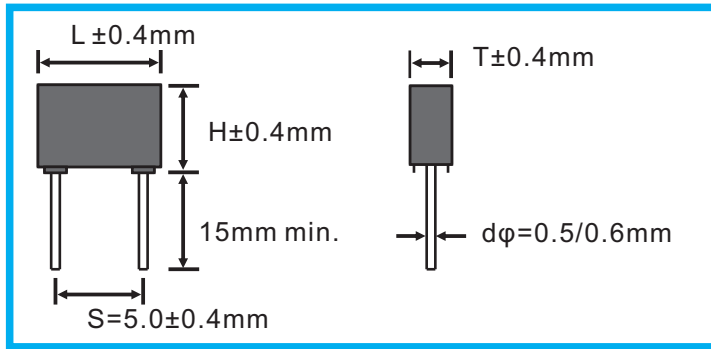
Used in blocking, by passing, filtering, timing, and energy reservoir application.

FEATURES

- *Low inductive wound cell of metallized film.
- *Self-healing property.
- *Coated with flame retardant epoxy.

METALLIZED POLYESTER CAPACITOR

NON-INDUCTIVE , MINIATURE SIZE , FLAME RETARDANT ENCASED



VDC Mfd	63			100			250		
	L	T	H	L	T	H	L	T	H
0.0010	7.2	2.5	6.5	7.2	2.5	6.5	7.2	2.5	6.5
0.0012	7.2	2.5	6.5	7.2	2.5	6.5	7.2	2.5	6.5
0.0015	7.2	2.5	6.5	7.2	2.5	6.5	7.2	2.5	6.5
0.0018	7.2	2.5	6.5	7.2	2.5	6.5	7.2	2.5	6.5
0.0022	7.2	2.5	6.5	7.2	2.5	6.5	7.2	2.5	6.5
0.0027	7.2	2.5	6.5	7.2	2.5	6.5	7.2	2.5	6.5
0.0033	7.2	2.5	6.5	7.2	2.5	6.5	7.2	2.5	6.5
0.0039	7.2	2.5	6.5	7.2	2.5	6.5	7.2	2.5	6.5
0.0047	7.2	2.5	6.5	7.2	2.5	6.5	7.2	2.5	6.5
0.0056	7.2	2.5	6.5	7.2	2.5	6.5	7.2	2.5	6.5
0.0068	7.2	2.5	6.5	7.2	2.5	6.5	7.2	2.5	6.5
0.0082	7.2	2.5	6.5	7.2	2.5	6.5	7.2	2.5	6.5
0.010	7.2	2.5	6.5	7.2	2.5	6.5	7.2	2.5	6.5
0.012	7.2	2.5	6.5	7.2	2.5	6.5	7.2	2.5	6.5
0.015	7.2	2.5	6.5	7.2	2.5	6.5	7.2	2.5	6.5
0.018	7.2	2.5	6.5	7.2	2.5	6.5	7.2	2.5	6.5
0.022	7.2	2.5	6.5	7.2	2.5	6.5	7.2	3.5	7.5
0.027	7.2	2.5	6.5	7.2	2.5	6.5	7.2	3.5	7.5
0.033	7.2	2.5	6.5	7.2	2.5	6.5	7.2	3.5	7.5
0.039	7.2	2.5	6.5	7.2	2.5	6.5	7.2	3.5	7.5
0.047	7.2	2.5	6.5	7.2	2.5	6.5	7.2	4.5	9.5
0.056	7.2	2.5	6.5	7.2	2.5	6.5	7.2	4.5	9.5
0.068	7.2	2.5	6.5	7.2	2.5	6.5	7.2	4.5	9.5
0.082	7.2	2.5	6.5	7.2	2.5	6.5	7.2	5.0	10.0
0.10	7.2	2.5	6.5	7.2	3.5	7.5	7.2	5.0	10.0
0.12	7.2	2.5	6.5	7.2	4.5	9.5	7.2	6.0	11.0
0.15	7.2	3.5	7.5	7.2	4.5	9.5	7.2	6.0	11.0
0.18	7.2	3.5	7.5	7.2	4.5	9.5			
0.22	7.2	3.5	7.5	7.2	5.0	10.0			
0.27	7.2	4.5	9.5	7.2	5.0	10.0			
0.33	7.2	4.5	9.5	7.2	6.0	11.0			
0.39	7.2	4.5	9.5	7.2	6.0	11.0			
0.47	7.2	5.0	10.0	7.2	6.0	11.0			
0.56	7.2	5.0	10.0	7.2	6.0	11.0			
0.68	7.2	6.0	11.0						
0.82	7.2	6.0	11.0						
1.0	7.2	6.0	11.0						

GENERAL SPECIFICATION

1. OPERATING TEMPERATURE:

- 40°C ~ + 105°C
Derate DC voltage 1.25%/°C above 85°C to 105°C

2. VOLTAGE RANGE (Vr):

63V , 100V , and 250V

3. CAPACITANCE RANGE:

0.0010 ~ 1.0 Mfd.

4. DIELECTRIC STRENGTH:

160% of rated voltage for 2 sec.

5. CAPACITANCE TOLERANCE:

±5% and ±10%

6. INSULATION RESISTANCE:

C < .33Mfd, R ≥ 15,000 Meg. Ohm at 20±3°C.
C ≥ .33Mfd, RC ≥ 5,000 Meg. Ohm x Mfd.

7. DISSIPATION FACTOR:

1.0% max. at 1KHz 20±3°C.

FEATURES

- * Miniature size and light weight.
- * Available on taping 5mm lead space for automatic insertion.

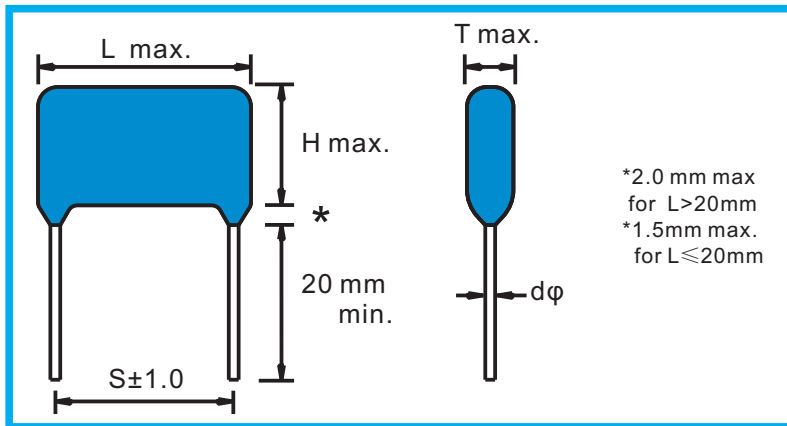
Maximum pulse rise time (dv/dt) V / μsec

63VDC	250
100VDC	300
250VDC	400



METALLIZED POLYESTER CAPACITOR

LOW NOISE , NON-INDUCTIVE , MINIATURE SIZE , HIGH MOISTURE RESISTANCE , EPOXY DIP COATED



GENERAL SPECIFICATION

- OPERATING TEMPERATURE:**
-40°C~+125°C
Derate DC voltage 1.25%/°C above 85°C to 125°
- VOLTAGE RANGE:**
450 , 630 VDC.
- CAPACITANCE RANGE:**
0.033~3.3Mfd.
(other rating upon request)
- DIELECTRIC STRENGTH:**
160% of rated voltage for 2 sec.
- CAPACITANCE TOLERANCE:**
±5% , ±10% and ±20%
- INSULATION RESISTANCE:**
C<.33Mfd, R≥ 9,000 Meg. Ohm at 20±3°C.
C≥.33Mfd, RC≥ 3,000 Meg. Ohm x Mfd.
- DISSIPATION FACTOR:**
1.0% max. at 1KHz 20±3°C.

VDC Mfd	450					630				
	L	T	H	S	dφ	L	T	H	S	dφ
0.033						12.5	5.0	8.5	10.0	0.6
0.039						12.5	5.5	9.0	10.0	0.6
0.047						12.5	6.0	9.5	10.0	0.6
0.056						12.5	6.5	10.0	10.0	0.6
0.068						12.5	6.5	11.5	10.0	0.6
0.082						12.5	7.0	12.0	10.0	0.6
0.10	12.5	5.0	9.0	10.0	0.6	12.5	6.5	14.0	10.0	0.6
0.12	12.5	5.0	9.0	10.0	0.6	12.5	7.0	14.5	10.0	0.6
0.15	12.5	5.5	9.5	10.0	0.6	12.5	8.5	14.0	10.0	0.6
0.18	12.5	6.0	10.0	10.0	0.6	12.5	8.5	15.0	10.0	0.8
0.22	12.5	6.5	10.5	10.0	0.6	12.5	9.0	16.5	10.0	0.8
0.22						17.5	7.5	13.5	15.0	0.8
0.27	12.5	6.5	12.5	10.0	0.6	17.5	7.5	14.5	15.0	0.8
0.33	12.5	7.0	13.0	10.0	0.6	17.5	8.5	15.0	15.0	0.8
0.39	12.5	7.0	14.0	10.0	0.6	17.5	8.5	16.5	15.0	0.8
0.47	12.5	7.5	14.5	10.0	0.6	17.5	9.0	17.5	15.0	0.8
0.56	12.5	8.5	15.5	10.0	0.6	17.5	9.5	19.5	15.0	0.8
0.68	12.5	9.5	18.0	10.0	0.8	17.5	10.5	20.5	15.0	0.8
0.82	12.5	10.5	19.0	10.0	0.8	25.5	9.0	19.0	22.5	0.8
1.0	12.5	11.5	20.5	10.0	0.8	25.5	10.0	20.0	22.5	0.8
0.47	17.5	6.5	12.0	15.0	0.6					
0.56	17.5	6.5	13.5	15.0	0.6					
0.68	17.5	6.5	14.0	15.0	0.8					
0.82	17.5	7.5	15.5	15.0	0.8					
1.0	17.5	8.0	16.0	15.0	0.8					
1.2	17.5	9.0	17.0	15.0	0.8	25.5	11.0	21.0	22.5	0.8
1.5	17.5	10.0	18.5	15.0	0.8	25.5	12.5	23.0	22.5	0.8
1.8	17.5	11.0	19.5	15.0	0.8	25.5	13.5	24.0	22.5	0.8
2.2	17.5	12.0	21.0	15.0	0.8	25.5	15.0	25.0	22.5	0.8
1.5	25.5	8.0	16.5	22.5	0.8					
1.8	25.5	8.5	17.0	22.5	0.8					
2.2	25.5	9.0	19.5	22.5	0.8					
2.7	25.5	10.0	20.5	22.5	0.8					
3.3	25.5	11.0	21.5	22.5	0.8					

APPLICATION

This type capacitor is suitable to be used for PFC (Power Factor Correction) purpose in appliances such as Electronic Lighting, UPS, Inverter, Switching Mode Power Supply.

FEATURES

- *This series is using special metallized polyester film, which makes the capacitor in small size.
- *Self-healing property.
- *Coated with flame retardant epoxy..

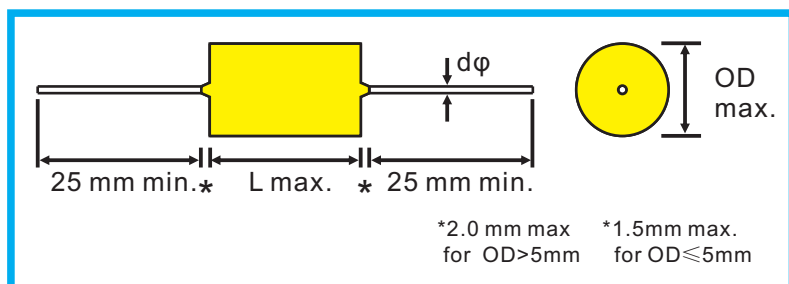
Maximum pulse rise time(dv/dt) V / μsec

VDC \ S	10.0	15.0	22.5
450	120	100	60
630	150	120	80

L	12.5	17.5	25.5
S	10.0	15.0	22.5

POLYESTER FILM CAPACITOR

NON-INDUCTIVE , EXTENDED FOIL , WRAP AND FILL WITH EPOXY RESIN



APPLICATION

Used in telecommunication, instrument as signal coupling and decoupling, timing, delay and oscillator circuits.

FEATURES

- * Excellent electrical characteristics and high reliability.
- * Miniature size and light weight.
- * Tape and reel package for auto-instertion is available.

OD	dφ
up to 8.0 mm	0.6 mm
over 8.0 mm	0.8 mm

Maximum pulse rise time(dv/dt) V / μsec

VDC \ L	11.5	14.0	16.0	19.0	23.0	27.0	32.0	37.0	39.0
100	6300	6300	3200	2100	1600	1600	840		840
200	7500	7500	3700		1900	1900	1500		
400	14400	14400	14400	7200	6500	3600	2400	2400	
600		15000	15000	9000	7000		3700		
1000			15000	9000	7000		3700	3700	

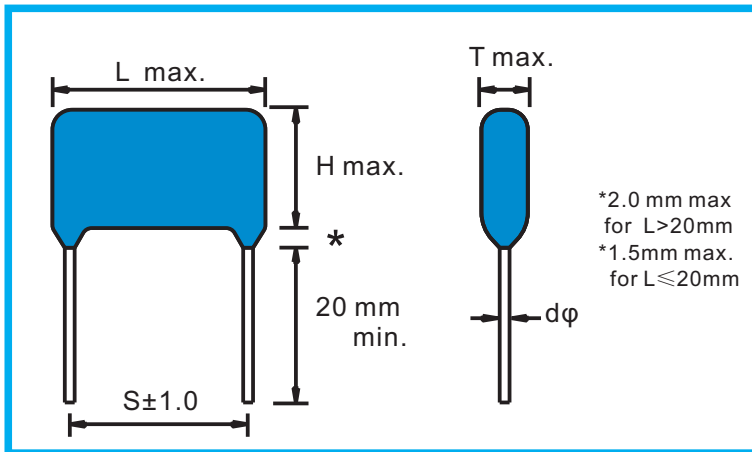
VDC \ Mfd	100		200		400		600		1000	
	OD	L	OD	L	OD	L	OD	L	OD	L
0.0010	4.5	11.5	4.5	11.5	4.5	11.5	5.0	14.0	6.5	16.0
0.0015	4.5	11.5	4.5	11.5	4.5	11.5	5.0	14.0	7.0	16.0
0.0022	4.5	11.5	4.5	11.5	4.5	11.5	5.0	14.0	6.5	19.0
0.0033	4.5	11.5	4.5	11.5	5.0	14.0	5.5	16.0	7.0	19.0
0.0047	5.0	11.5	5.0	11.5	6.0	14.0	6.5	16.0	8.0	19.0
0.0068	5.0	11.5	5.0	11.5	6.0	16.0	6.5	19.0	8.0	23.0
0.010	5.0	11.5	5.0	11.5	7.0	16.0	7.5	19.0	9.0	23.0
0.015	5.5	11.5	5.5	11.5	7.0	19.0	7.5	23.0	10.0	23.0
0.022	6.0	14.0	6.5	14.0	8.0	19.0	8.5	23.0	11.5	23.0
0.033	6.5	14.0	7.0	14.0	8.0	23.0	10.0	23.0	11.5	32.0
0.047	6.5	16.0	7.0	16.0	9.0	23.0	10.0	32.0	13.0	32.0
0.068	7.5	16.0	8.0	16.0	9.5	27.0	11.5	32.0	14.0	37.0
0.10	8.5	19.0	7.5	23.0	11.0	27.0	13.5	32.0		
0.15	8.5	23.0	9.0	23.0	12.5	32.0				
0.22	9.5	27.0	10.5	27.0	14.0	37.0				
0.33	10.5	32.0	11.5	32.0						
0.47	12.5	32.0	13.5	32.0						
0.68	14.5	32.0								
1.0	17.0	39.0								

GENERAL SPECIFICATION

1. OPERATING TEMPERATURE:
 - 40°C ~ + 125°C
 - Derate DC voltage 1.25%/°C above 85°C to 125°C
2. VOLTAGE RANGE:
 - 100 , 200 , 400 , 600 and 1000 VDC.
3. CAPACITANCE RANGE:
 - 0.001 ~ 1.0 Mfd.
 - (other rating upon request)
4. DIELECTRIC STRENGTH:
 - 200% of rated voltage for 2 sec.
5. CAPACITANCE TOLERANCE:
 - ±5% , ±10% and ±20%
6. INSULATION RESISTANCE:
 - C < .33Mfd, R ≥ 15,000 Meg. Ohm at 20±3°C.
 - C ≥ .33Mfd, RC ≥ 5,000 Meg. Ohm x Mfd.
7. DISSIPATION FACTOR:
 - .75% max. at 1KHz 20±3°C.

POLYESTER FILM CAPACITOR

NON-INDUCTIVE , EXTENDED FOIL , EPOXY DIP COATED



APPLICATION

Widely used in T.V. , Radio , industrial and commercial equipments.

Maximum pulse rise time(dv/dt) V / μsec

VDC \ S	7.5	10.0	15.0	22.5	27.5
50	4000	2000	1000		
100		4500	2100	1100	
200		6000	3000	1400	900
400		14400	7200	3000	2100
600		15000	7400	4000	3000

L	10.5	13.0	19.0	26.0	31.0
S	7.5	10.0	15.0	22.5	27.5
dφ	0.6	0.6	0.8	0.8	0.8

VDC \ Mfd	50			100			200			400			600		
	L	T	H	L	T	H	L	T	H	L	T	H	L	T	H
0.0010	10.5	5.0	8.0	13.0	5.0	9.0	13.0	5.0	9.0	13.0	5.0	9.0	13.0	5.0	9.5
0.0015	10.5	5.0	8.0	13.0	5.0	9.0	13.0	5.0	9.0	13.0	5.0	9.0	13.0	5.5	9.5
0.0022	10.5	5.0	8.0	13.0	5.0	9.0	13.0	5.0	9.0	13.0	5.5	9.0	13.0	6.0	9.5
0.0033	10.5	5.0	8.0	13.0	5.0	9.0	13.0	5.0	9.0	13.0	5.5	9.5	13.0	6.5	10.0
0.0047	10.5	5.0	8.5	13.0	5.0	9.0	13.0	5.0	9.0	13.0	6.0	10.0	13.0	7.5	11.5
0.0068	10.5	5.0	8.5	13.0	5.0	9.0	13.0	5.0	9.0	13.0	6.5	10.5	13.0	8.0	13.0
0.010	10.5	5.0	8.5	13.0	5.0	9.0	13.0	5.0	9.0	13.0	7.0	11.0	19.0	8.5	11.5
0.015	10.5	5.5	9.0	13.0	5.5	9.5	13.0	5.5	9.5	13.0	7.5	11.5	19.0	9.0	15.0
0.022	13.0	6.0	9.5	13.0	6.0	10.0	13.0	6.0	10.0	19.0	8.0	11.5	19.0	9.5	17.5
0.033	13.0	6.0	10.0	13.0	6.0	10.5	13.0	6.5	10.5	19.0	8.5	14.0	26.0	9.0	15.5
0.047	13.0	6.5	10.5	13.0	6.5	11.0	19.0	7.0	11.0	19.0	9.5	15.5	26.0	10.0	16.5
0.068	13.0	7.0	11.5	13.0	7.0	12.0	19.0	7.5	11.5	26.0	9.0	15.5	31.0	10.0	17.0
0.10	13.0	7.5	12.0	19.0	7.5	12.0	19.0	8.0	13.0	26.0	10.5	17.5	31.0	12.0	19.0
0.15	13.0	8.5	13.5	19.0	8.0	15.0	19.0	8.0	16.0	31.0	11.0	19.0			
0.22	19.0	8.5	15.0	26.0	7.5	15.0	26.0	9.0	16.5	31.0	13.0	22.0			
0.33	19.0	10.0	16.5	26.0	8.5	16.0	31.0	10.0	18.5						
0.47	19.0	12.5	18.5	26.0	10.0	17.5	31.0	12.5	22.0						

GENERAL SPECIFICATION

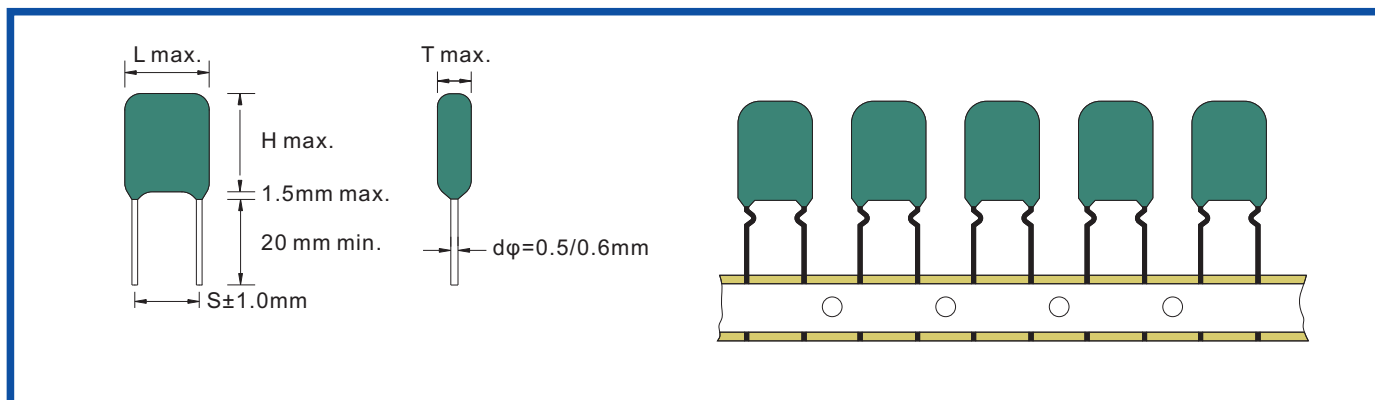
- OPERATING TEMPERATURE: -40°C ~ +125°C
Derate DC voltage 1.25%/°C above 85°C to 125°C
- VOLTAGE RANGE: 50 , 100 , 200 , 400 and 600 VDC.
- CAPACITANCE RANGE: 0.001 ~ 0.47Mfd.
(other rating upon request)
- DIELECTRIC STRENGTH: 200% of rated voltage for 2 sec.
- CAPACITANCE TOLERANCE: ±5% , ±10% and ±20%
- INSULATION RESISTANCE: C<.33Mfd, R≥ 15,000 Meg. Ohm at 20±3°C.
C≥.33Mfd, RC≥ 5,000 Meg. Ohm x Mfd.
- DISSIPATION FACTOR: .75% max. at 1KHz 20±3°C.

FEATURES

- *Low dissipation factor.
- *Low self-inductance.
- *Suitable for using at f < 20 KHz.
- *Special rating is available upon request

POLYESTER FILM CAPACITOR

INDUCTIVE , RADIAL LEAD WELDED CONSTRUCTION , EPOXY COATED



VDC \ Mfd	100			
	L	T	H	S
0.0010	6.0	3.5	10.5	3.5
0.0012	6.0	3.5	10.5	3.5
0.0015	6.0	3.5	10.5	3.5
0.0018	6.0	3.5	10.5	3.5
0.0022	6.0	3.5	10.5	3.5
0.0027	6.0	3.5	10.5	3.5
0.0033	6.0	3.5	10.5	3.5
0.0039	6.0	3.5	10.5	3.5
0.0047	6.0	3.5	10.5	3.5
0.0056	6.0	3.5	10.5	3.5
0.0068	6.0	3.5	10.5	3.5
0.0082	6.5	4.0	12.0	4.0
0.010	7.0	4.0	12.0	4.0
0.012	7.0	4.0	12.0	4.0
0.015	7.0	4.0	12.0	4.0
0.018	7.0	4.0	12.0	4.0
0.022	7.5	4.0	12.0	5.0
0.027	7.5	4.0	12.0	5.0
0.033	8.0	4.5	12.0	6.0
0.039	8.0	4.5	12.0	6.0
0.047	8.5	5.0	12.5	6.0
0.056	9.5	5.5	13.0	6.0
0.068	10.0	5.5	12.5	6.0
0.082	10.5	6.0	12.5	7.5
0.10	11.0	6.5	13.0	7.5
0.12	11.5	7.0	13.0	7.5
0.15	11.5	7.0	13.5	7.5
0.18	12.0	7.0	14.0	7.5
0.22	12.0	7.5	15.0	7.5
0.33	15.0	8.0	16.0	10.0
0.47	16.0	9.0	18.0	10.0

APPLICATION

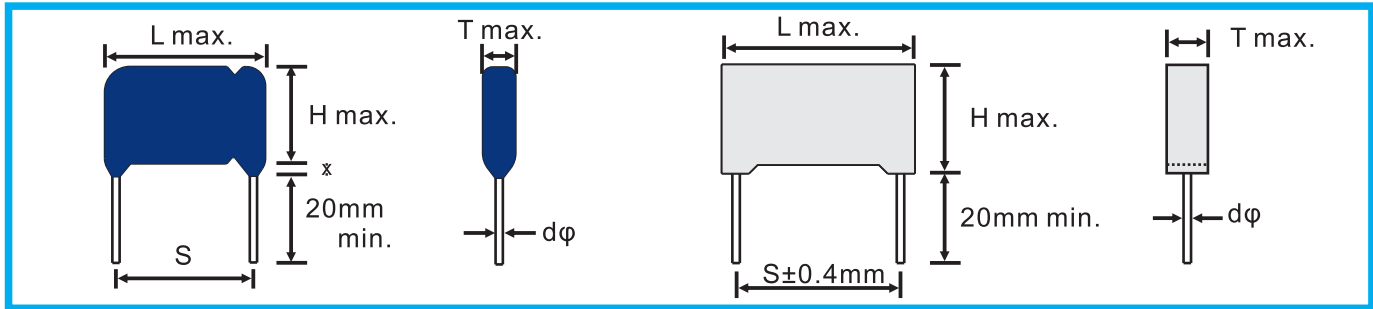
Most suitable for PCB of commercial and industrial electronics at economic price.

GENERAL SPECIFICATION

1. OPERATING TEMPERATURE:
- 40°C ~ + 85°C
2. VOLTAGE RANGE:
100 VDC.
3. CAPACITANCE RANGE:
0.001~0.47Mfd.
4. DIELECTRIC STRENGTH:
200% of rated voltage for 2 sec.
5. CAPACITANCE TOLERANCE:
±5% , ±10%
6. INSULATION RESISTANCE:
C<.33Mfd, R≥ 15,000 Meg. Ohm at 20±3°C.
C≥.33Mfd, RC≥ 5,000 Meg. Ohm x Mfd.
7. DISSIPATION FACTOR:
.75% max. at 1KHz 20±3°C.

METALLIZED FILM CAPACITOR

RC COMPOUND CONSTRUCTION



APPLICATION

1. Spark Killer.
2. Noise, click suppressor.

FEATURES

1. RC compound construction.
2. Small size and light weight.
3. Radial type:
F/R Epoxy dipped (CRD type)
Encased and Epoxy filled (CRK type)

GENERAL SPECIFICATION

1. OPERATING TEMPERATURE:
-40°C ~ +85°C
2. VOLTAGE RANGE:
200, 400, 600 VDC., others upon request
3. CAPACITANCE RANGE:
0.1, 0.25, 0.50, 1.0Mfd., other capacitance upon request
4. RESISTANCE RANGE:
22, 47, 100, 150, 220 ohms
5. DIELECTRIC STRENGTH:
160% of Rated voltage for 2 sec.

MULTI-SECTION CAPACITOR

METALLIZED FILM, ENCASED AND EPOXY FILLED



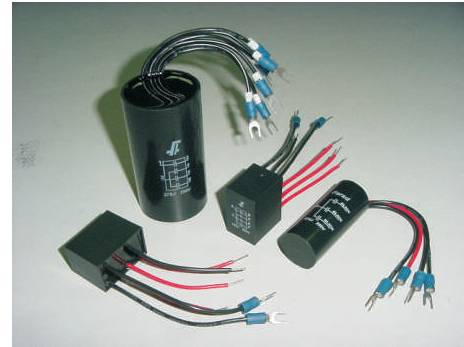
Three-wire units

Typical application

The typical application is for the air conditioning units in which capacitors are required for both compressor and fan motors.

Features

- *This series of product contains two independent capacitors in a single housing.
- *Constructed with low loss metallized film bearing self-healing characteristics.
- *Encased with round or flat flame-retardant case.
- *Filled with flame-retardant epoxy.



Multi-wire units

Typical application

This series of product is for multi-speed control or improving output torque for motor.

Features

- *This series of capacitor provides more than two capacitance in a single-housing.
- *Constructed with low loss metallized film bearing self-healing characteristics.
- *Encased with round or flat flame-retardant case.
- *Filled with flame-retardant epoxy.

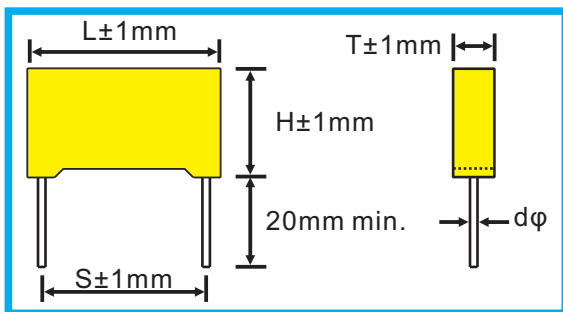


RoHS Compliant

TYPE PXX

METALLIZED POLYPROPYLENE AC CAPACITOR

INTERFERENCE SUPPRESSORS CLASS X2



E247953



40014111



10001048706



40030152

APPLICATIONS

*Line-By-Pass, Antenna coupling and Across-The-Line.

FEATURE

In accordance with UL, CSA, VDE, ENEC, CQC

GENERAL SPECIFICATION

1. OPERATING TEMPERATURE: -40°C ~ +110°C
2. RATED VOLTAGE: 275VAC, 305VAC
3. CAPACITANCE RANGE: 0.01~4.7 Mfd.
4. DIELECTRIC STRENGTH (Vr 275VAC):
1183VDC for 1 min.
DIELECTRIC STRENGTH (Vr 305VAC):
1312VDC for 1 min.
5. CAPACITANCE TOLERANCE: ±10%
6. INSULATION RESISTANCE: (at 20±3°C, 100VDC)
C < .33Mfd, R ≥ 30,000 MΩ
C ≥ .33Mfd, RC ≥ 10,000 MΩ x Mfd
7. DISSIPATION FACTOR: 0.1% max. at 1KHz 20±3°C.

Maximum pulse rise time (dv/dt) V/μsec

S	10.0	15.0	22.5	27.5	37.5
V / μsec	400	300	180	120	70

Mfd	275VAC				
	L	T	H	S	dφ
0.010	13.0	4.0	9.0	10.0	0.6
0.010	13.0	5.0	11.0	10.0	0.6
0.012	13.0	4.0	9.0	10.0	0.6
0.012	13.0	5.0	11.0	10.0	0.6
0.015	13.0	4.0	9.0	10.0	0.6
0.015	13.0	5.0	11.0	10.0	0.6
0.018	13.0	4.0	9.0	10.0	0.6
0.022	13.0	4.0	9.0	10.0	0.6
0.022	13.0	5.0	11.0	10.0	0.6
0.027	13.0	4.0	9.0	10.0	0.6
0.027	13.0	5.0	11.0	10.0	0.6
0.033	13.0	4.0	9.0	10.0	0.6
0.033	13.0	5.0	11.0	10.0	0.6
0.039	13.0	4.0	9.0	10.0	0.6
0.039	13.0	6.0	12.0	10.0	0.6
0.047	13.0	4.0	9.0	10.0	0.6
0.047	13.0	6.0	12.0	10.0	0.6
0.056	13.0	5.0	11.0	10.0	0.6
0.056	13.0	7.0	13.0	10.0	0.6
0.068	13.0	5.0	11.0	10.0	0.6
0.068	13.0	7.0	13.0	10.0	0.6
0.082	13.0	5.0	11.0	10.0	0.6
0.082	13.0	8.0	14.0	10.0	0.6
0.10	13.0	5.0	11.0	10.0	0.6
0.10	13.0	6.0	12.0	10.0	0.6
0.10	13.0	8.0	16.0	10.0	0.6
0.12	13.0	6.0	12.0	10.0	0.6
0.15	13.0	7.0	13.0	10.0	0.6
0.15	13.0	8.0	14.0	10.0	0.6
0.18	13.0	8.0	14.0	10.0	0.6
0.22	13.0	8.0	14.0	10.0	0.6
0.15	15.0	6.0	11.5	12.5	0.6
0.22	15.0	7.0	12.5	12.5	0.6
0.33	15.0	8.5	14.0	12.5	0.8
0.39	15.0	9.0	15.0	12.5	0.8
0.47	15.0	10.0	16.0	12.5	0.8
0.56	15.0	11.0	17.0	12.5	0.8
0.010	18.0	5.0	11.0	15.0	0.8
0.012	18.0	5.0	11.0	15.0	0.8
0.015	18.0	5.0	11.0	15.0	0.8

Mfd	275VAC				
	L	T	H	S	dφ
0.018	18.0	5.0	11.0	15.0	0.8
0.022	18.0	5.0	11.0	15.0	0.8
0.027	18.0	5.0	11.0	15.0	0.8
0.033	18.0	5.0	11.0	15.0	0.8
0.039	18.0	5.0	11.0	15.0	0.8
0.047	18.0	5.0	11.0	15.0	0.8
0.056	18.0	5.0	11.0	15.0	0.8
0.068	18.0	5.0	11.0	15.0	0.8
0.082	18.0	6.0	12.0	15.0	0.8
0.10	18.0	5.0	11.0	15.0	0.8
0.10	18.0	6.0	12.0	15.0	0.8
0.12	18.0	6.0	12.0	15.0	0.8
0.12	18.0	7.5	13.5	15.0	0.8
0.15	18.0	6.0	12.0	15.0	0.8
0.15	18.0	7.5	13.5	15.0	0.8
0.15	18.0	8.5	14.5	15.0	0.8
0.18	18.0	7.5	13.5	15.0	0.8
0.22	18.0	7.5	13.5	15.0	0.8
0.22	18.0	8.5	14.5	15.0	0.8
0.22	18.0	9.5	15.5	15.0	0.8
0.27	18.0	6.3	13.0	15.0	0.8
0.27	18.0	9.5	15.5	15.0	0.8
0.33	18.0	7.5	13.5	15.0	0.8
0.33	18.0	8.5	15.0	15.0	0.8
0.33	18.0	10.0	16.5	15.0	0.8
0.33	18.0	11.0	19.0	15.0	0.8
0.39	18.0	7.5	13.5	15.0	0.8
0.39	18.0	11.0	19.0	15.0	0.8
0.47	18.0	8.5	16.5	15.0	0.8
0.47	18.0	9.5	15.5	15.0	0.8
0.47	18.0	11.0	18.5	15.0	0.8
0.56	18.0	9.5	15.5	15.0	0.8
0.56	18.0	11.0	19.0	15.0	0.8
0.68	18.0	10.0	18.0	15.0	0.8
0.82	18.0	11.0	19.0	15.0	0.8
1.0	18.0	12.5	21.0	15.0	0.8
0.22	26.5	6.0	15.0	22.5	0.8
0.22	26.5	7.0	16.5	22.5	0.8
0.27	26.5	8.5	17.0	22.5	0.8
0.33	26.5	7.0	16.5	22.5	0.8

Mfd	275VAC				
	L	T	H	S	dφ
0.33	26.5	8.5	17.0	22.5	0.8
0.39	26.5	8.5	17.0	22.5	0.8
0.39	26.5	10.0	19.0	22.5	0.8
0.47	26.5	8.5	17.0	22.5	0.8
0.47	26.5	10.0	19.0	22.5	0.8
0.56	26.5	10.0	19.0	22.5	0.8
0.68	26.5	10.0	19.0	22.5	0.8
0.82	26.5	11.0	20.0	22.5	0.8
1.0	26.5	8.5	17.0	22.5	0.8
1.0	26.5	14.0	23.0	22.5	0.8
1.2	26.5	10.0	19.0	22.5	0.8
1.5	26.5	11.0	20.0	22.5	0.8
1.5	26.5	13.0	23.0	22.5	0.8
1.8	26.5	13.0	23.0	22.5	0.8
2.0	26.5	13.0	23.0	22.5	0.8
2.2	26.5	14.0	23.0	22.5	0.8
0.47	31.0	9.0	18.0	27.5	0.8
0.47	32.0	11.0	20.0	27.5	0.8
0.56	32.0	9.0	18.0	27.5	0.8
0.56	32.0	11.0	20.0	27.5	0.8
0.68	32.0	9.0	18.0	27.5	0.8
0.68	32.0	11.0	20.0	27.5	0.8
0.82	32.0	11.0	20.0	27.5	0.8
0.82	32.0	13.0	22.0	27.5	0.8
1.0	32.0	11.0	20.0	27.5	0.8
1.0	32.0	13.0	22.0	27.5	0.8
1.0	32.0	16.0	25.0	27.5	0.8
1.2	32.0	13.0	22.0	27.5	0.8
1.5	32.0	13.0	22.0	27.5	0.8
1.5	32.0	15.0	24.5	27.5	0.8
1.8	32.0	15.0	24.5	27.5	0.8
2.0	32.0	15.0	30.0	27.5	0.8
2.2	32.0	15.0	30.0	27.5	0.8
3.3	32.0	18.0	28.0	27.5	0.8
2.2	37.0	15.0	26.0	31.5	0.8
2.2	37.0	15.0	26.0	32.5	0.8
2.2	41.0	16.0	28.5	36.5	1.0
2.2	41.0	16.0	28.5	37.5	1.0
4.7	41.5	24.0	31.4	37.5	1.0



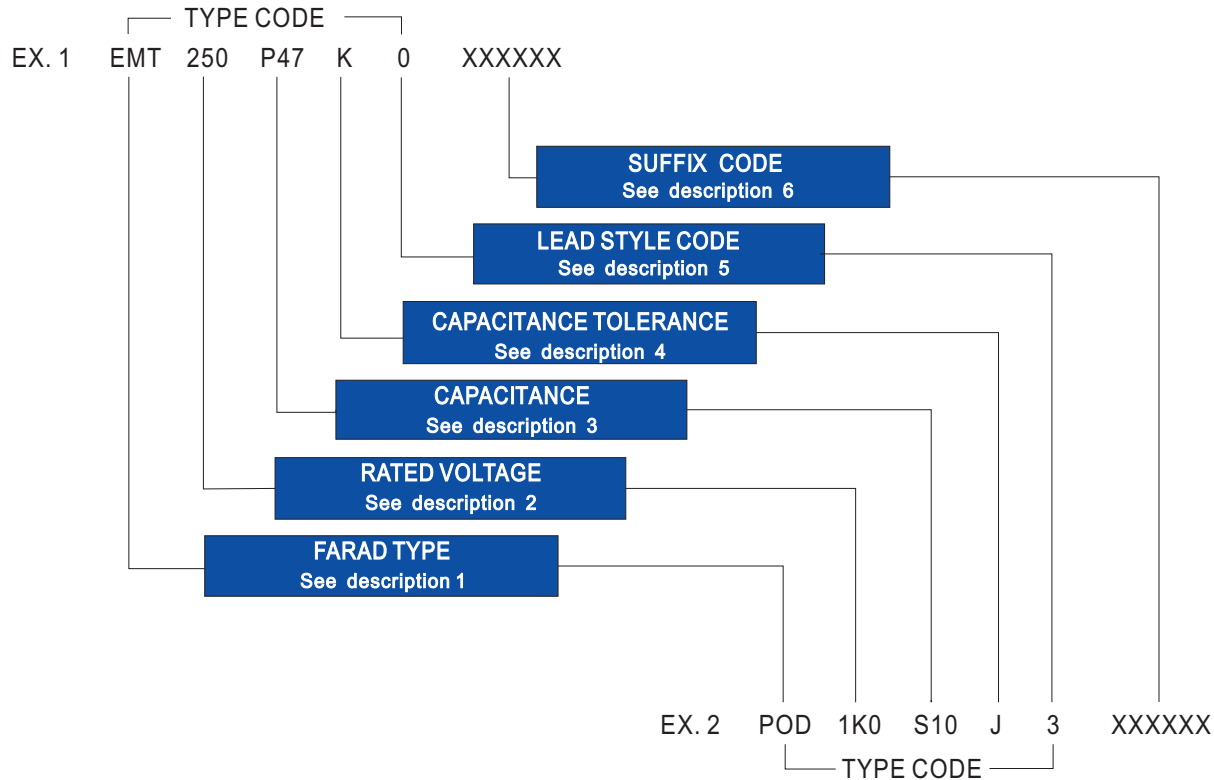
METALLIZED POLYPROPYLENE AC CAPACITOR

INTERFERENCE SUPPRESSORS CLASS X2

VAC Mfd	305VAC				
	L	T	H	S	dφ
0.010	13.0	4.0	9.0	10.0	0.6
0.010	13.0	5.0	11.0	10.0	0.6
0.012	13.0	4.0	9.0	10.0	0.6
0.012	13.0	5.0	11.0	10.0	0.6
0.015	13.0	4.0	9.0	10.0	0.6
0.015	13.0	5.0	11.0	10.0	0.6
0.018	13.0	4.0	9.0	10.0	0.6
0.022	13.0	4.0	9.0	10.0	0.6
0.022	13.0	5.0	11.0	10.0	0.6
0.027	13.0	4.0	9.0	10.0	0.6
0.027	13.0	5.0	11.0	10.0	0.6
0.033	13.0	4.0	9.0	10.0	0.6
0.033	13.0	5.0	11.0	10.0	0.6
0.039	13.0	4.0	9.0	10.0	0.6
0.039	13.0	6.0	12.0	10.0	0.6
0.047	13.0	6.0	12.0	10.0	0.6
0.056	13.0	5.0	11.0	10.0	0.6
0.056	13.0	7.0	13.0	10.0	0.6
0.068	13.0	5.0	11.0	10.0	0.6
0.068	13.0	7.0	13.0	10.0	0.6
0.082	13.0	8.0	14.0	10.0	0.6
0.10	13.0	6.0	12.0	10.0	0.6
0.10	13.0	8.0	16.0	10.0	0.6
0.15	13.0	8.0	14.0	10.0	0.6
0.010	18.0	5.0	11.0	15.0	0.8
0.012	18.0	5.0	11.0	15.0	0.8
0.015	18.0	5.0	11.0	15.0	0.8
0.018	18.0	5.0	11.0	15.0	0.8
0.022	18.0	5.0	11.0	15.0	0.8
0.027	18.0	5.0	11.0	15.0	0.8
0.033	18.0	5.0	11.0	15.0	0.8
0.039	18.0	5.0	11.0	15.0	0.8
0.047	18.0	5.0	11.0	15.0	0.8
0.056	18.0	5.0	11.0	15.0	0.8
0.068	18.0	5.0	11.0	15.0	0.8
0.082	18.0	6.0	12.0	15.0	0.8
0.10	18.0	5.0	11.0	15.0	0.8
0.10	18.0	6.0	12.0	15.0	0.8
0.12	18.0	6.0	12.0	15.0	0.8
0.12	18.0	7.5	13.5	15.0	0.8
0.15	18.0	6.0	12.0	15.0	0.8
0.15	18.0	7.5	13.5	15.0	0.8
0.15	18.0	8.5	14.5	15.0	0.8
0.18	18.0	7.5	13.5	15.0	0.8
0.22	18.0	7.5	13.5	15.0	0.8
0.22	18.0	8.5	14.5	15.0	0.8

VAC Mfd	305VAC				
	L	T	H	S	dφ
0.22	18.0	9.5	15.5	15.0	0.8
0.27	18.0	9.5	15.5	15.0	0.8
0.33	18.0	8.5	15.0	15.0	0.8
0.33	18.0	10.0	16.5	15.0	0.8
0.33	18.0	11.0	19.0	15.0	0.8
0.39	18.0	11.0	19.0	15.0	0.8
0.47	18.0	11.0	18.5	15.0	0.8
0.56	18.0	11.0	19.0	15.0	0.8
0.22	26.5	6.0	15.0	22.5	0.8
0.22	26.5	7.0	16.5	22.5	0.8
0.27	26.5	8.5	17.0	22.5	0.8
0.33	26.5	7.0	16.5	22.5	0.8
0.33	26.5	8.5	17.0	22.5	0.8
0.39	26.5	8.5	17.0	22.5	0.8
0.39	26.5	10.0	19.0	22.5	0.8
0.47	26.5	8.5	17.0	22.5	0.8
0.47	26.5	10.0	19.0	22.5	0.8
0.56	26.5	10.0	19.0	22.5	0.8
0.68	26.5	10.0	19.0	22.5	0.8
0.82	26.5	11.0	20.0	22.5	0.8
1.0	26.5	14.0	23.0	22.5	0.8
1.2	26.5	10.0	19.0	22.5	0.8
1.5	26.5	13.0	23.0	22.5	0.8
0.47	31.0	9.0	18.0	27.5	0.8
0.47	32.0	11.0	20.0	27.5	0.8
0.56	32.0	9.0	18.0	27.5	0.8
0.56	32.0	11.0	20.0	27.5	0.8
0.68	32.0	9.0	18.0	27.5	0.8
0.68	32.0	11.0	20.0	27.5	0.8
0.82	32.0	11.0	20.0	27.5	0.8
0.82	32.0	13.0	22.0	27.5	0.8
1.0	32.0	11.0	20.0	27.5	0.8
1.0	32.0	13.0	22.0	27.5	0.8
1.0	32.0	16.0	25.0	27.5	0.8
1.2	32.0	13.0	22.0	27.5	0.8
1.5	32.0	13.0	22.0	27.5	0.8
1.5	32.0	15.0	24.5	27.5	0.8
1.8	32.0	15.0	24.5	27.5	0.8
2.0	32.0	15.0	30.0	27.5	0.8
2.2	32.0	15.0	30.0	27.5	0.8
3.3	32.0	18.0	28.0	27.5	0.8
2.2	37.0	15.0	26.0	31.5	0.8
2.2	37.0	15.0	26.0	32.5	0.8
2.2	41.0	16.0	28.5	36.5	1.0
2.2	41.0	16.0	28.5	37.5	1.0
4.7	41.5	24.0	31.4	37.5	1.0

Manufacture code, including TYPE Code, is as follows.



DESCRIPTION

1. Symbols of Farad Type :(with three letters)

a) First code symbolizes dielectric use d:

“E”–Polyester Capacitor, as type: EOT , EMF , EMD , END , ... , etc.

“P” –Polypropylene Capacitor as type: POT , PMD , PPD , ... , etc.

“C” –RC compound construction as type: CRD , CRK , etc.

“M”–Polyester Capacitor , miniature pitch as type: MND , etc.

b) The second code symbolizes construction features:

“M”–Metallized film dielectric material.

“N”–Metallized film dielectric , miniature size.

“W”–Wax impregnated for pulse application.

“D”–Double-side metallized electrodes.

“O”–Film-foil construction capacitor.

“L”–Metallized film dielectric , for PFC application

“X”–Across– Line capacitor.

“U”–Metallized PP film , AC output filter.

“A”–Hybrid electrode construction.

“V”–Metallized PP film , low ESR.

“S”–Metallized film dielectric , mini-box

“R”–RC compound construction , spark killer.

/Hybrid electrode construction.

c) The third code symbolizes the shape and appearance:

T : Tubular/JIS 0.8 D : Dipped/JIS 93 Q : Tubular , Inductive Z : Tubular , Coated.

R : Round/JIS 16 F : Flat Oval/JIS 91 P : Flat Oval , Inductive G : Round , Inductive , Coated.

L : Inductive/JIS 92 K : Encased/JIS 99 C : Round , Inductive.

2. Symbols of Rated Voltage : (with three digits)

063: 63VDC/JIS 1J 400: 400VDC/JIS 2G 1K0: 1,000VDC/JIS 3A

100: 100VDC/JIS 2A 450: 450VDC/JIS 2W 1K6: 1,600VDC/JIS 3C

250: 250VDC/JIS 2E 630: 630VDC/JIS 2J 2A5: 250VAC

3. Symbols of capacitance in Mfd :(with three digits)

A: Indicates tens. EX.: 12Mfd=A12, 10Mfd=A10.(Mfd: Micro-Farad)

W(Word): Indicates unit. EX.: 1.5Mfd=W15

P(Point): Digits following the decimal point followed by two zeroes. EX.:0.015Mfd=S15

S(Single Zero): Digits following the decimal point followed by one zero. EX.:0.0047Mfd=D47

D(Double Zeroes): Digits following the decimal point followed by three zeroes. EX.:0.00068Mfd=T68

4. Symbols of capacitance Tolerance : Same as JIS and EIA Standard.

Symbols	B	C	D	F	G	H	I	J	K	M	N	V	Z
Tolerance percentage	±0.1	±0.25	±0.5	±1.0	±2.0	±2.5	±3.0	±5.0	±10	±20	±30	+20 -10	+80 -20

5. Lead Style Code:

0 straight long leads/non-forming

1 inward forming without cut

2 outward forming without cut

3 kink without cut

4 non-forming with cut

5 inward forming with cut

6 outward forming with cut

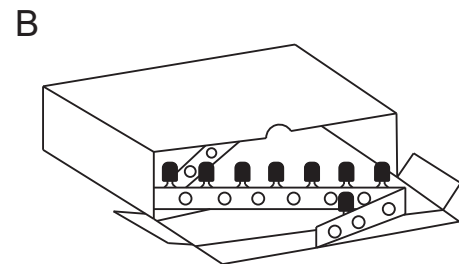
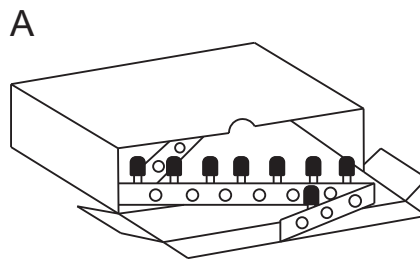
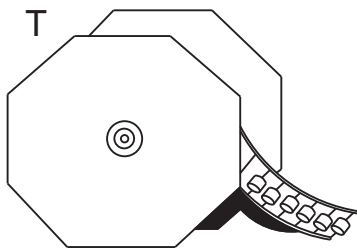
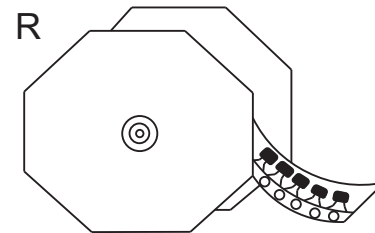
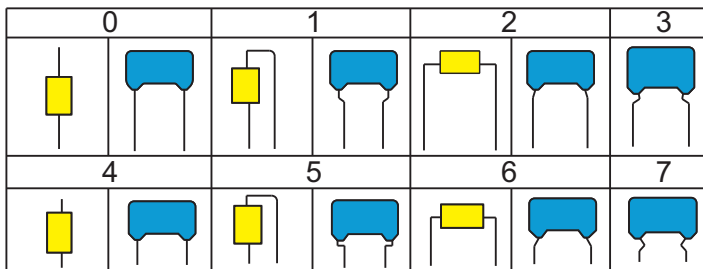
7 kink and cut

R: taped and reeled with forming

T: taped and reeled without forming

A: ammo packing without forming

B: ammo packing with forming



6. Suffix Code:

Those are the codes for internal identification purpose.



FARAD CAPACITOR REFERENCE DATA-2

Farad capacitors are produced by fully automatic machines making the capacitors be highly reliable and precise .They are well controlled in each manufacturing process using techniques proven to be effective over many years. All capacitors are 100% tested basing on each production lot.

Unless otherwise specified , we apply MIL-STD-105E , Level II sampling plan. AQL 0.4% for major electrical characteristics and 1. 5% for minor characteristics before shipping.

***MARKING:**

Capacitors are legibly and permanently marked with capacitance , tolerance , rated voltage and manufacturer' s name " FARAD" , or trade mark : or symbol : " , "F" .

***PACKING:**

- (1)Bulk
 - Small inner cardboard box/PVC bag.
 - with label packed in one standard export carton.
- (2)Axial Tape and Reel(inductive and non-inductive)
 - 4 boxed reels packed in one standard export carton.
- (3)Radial Tape and Reel (inductive and non-inductive)
 - (a)6 boxed reels packed in one standard export carton.
 - (b)6 ammo boxed reels packed in one standard export carton.

***LABEL FORM:**

			FARAD ELECTRONICS CO., LTD.		RoHS	
	METALLIZED POLYPROPYLENE CAPACITOR					Commodity Description
Rated Capacitance	CAP.:	0.1 MFD.	Q'ty:	500 PCS		Quantity
Tolerance	TOL.:	±5 %	TYPE :	PMD		Type Code
Rated Voltage	Vr.:	250VDC	LOT NO.:	52614090001001R		Lot No.
Customer	CUST'R:	MY2	P/N:	12034104371		Customer P/N
Manufacturer P/N	FECL P/N:	PMD250P10J000	Date:	2014/9/28		Manufacturing Date

GENERAL TECHNICAL INFORMATION:

1. Operating Voltage

1.1 VDC application

Rated voltage is the maximum voltage which can be applied continuously to the capacitor in the rated temperature.

A voltage which is higher than the rated voltage being applied on the capacitor may puncture the dielectric film and then may cause the capacitor being short circuit.

Metallized capacitors bear self-healing properties. When the application of voltage is higher than rated voltage, the capacitor may not be short circuit immediately. However, what may occur is a progressive drop in IR with a risk of smoke or fire.

1.2 VAC application(Sinusoidal wave 50/60 Hz)

A film capacitor is a nonpolar one and can be used in AC application. When a DC marked capacitor is used as an AC capacitor, The peak voltage shall be less than the rated voltage. Because heat is generated in AC application, please do not apply an AC voltage higher than specified for each series.

1.3 Pulse application(polypropylene capacitor)

The dielectric strength of film capacitor is diminished with the rising frequency. The rated voltage of the capacitor shall be derated when it is in high frequency application. In the case of high frequency application please contact with our Technical Service people.

1.4 Derating of rated voltage for higher operating temperature

When a capacitor is in an application where the temperature is higher than rated temperature, it is necessary to apply a voltage derating for preventing damage of the dielectric film. Please see the derating requirement specified for each series in the catalogue.

GENERAL TECHNICAL INFORMATION:

2. Permissible Current

When a capacitor is used in VAC application at high frequency, internal heating of the capacitor may follow with a possible risk of smoke or fire. Internal heating is caused by the current flowing through internal resistance of the capacitor. If the heating is excessive, the capacitor shall be deteriorated which may cause a short or open circuit of the capacitor or fire.

The heating of the capacitor is caused by two different types of current.

2.1 R.M.S. current (effective current) generated by the periodic wave-form voltage. This current will cause the entire body of the capacitor to be heated up.

2.2 Peak current caused by a pulse

When a high current pulse flows through the capacitor in a very short time (few micro seconds), a localized heating of the ends of the capacitor might take place due to the resistance of the contacts between the lead and the end spray, or between the end spray and electrodes of the capacitor. These conditions usually occur mainly in the circuits such as switching, snubber, fly-back and S-correction.

The pulse rise time (dv/dt) defines the capability of a capacitor to withstand high peak current due to fast voltage change. The peak current is defined as the following formula:

$$I_p = C \times dv/dt \quad \text{where } I_p \text{ in A, } C \text{ in } \mu\text{f, } dv/dt \text{ in V/us}$$

The information pulse rise time (dv/dt) refers to pulses equal to the rated voltage. When the capacitor is used at a voltage lower than rated voltage, the permissible pulse rise time may be increased as the following formula.

$$dv/dt (\text{max}) = (V_r/V_o) * dv/dt (\text{specified})$$

where V_r is rated voltage, V_o is operating voltage

2.3 The maximum values of dv/dt in this catalogue must not be exceeded in application for preventing a dangerous overheating of the capacitor. If there is any concern in the application, please kindly contact with our Technical Service people.

2.4 If a capacitor is subjected to a r.m.s current or pulse current which is higher than that specified, the current which is caused by a bad functioning of any other equipment, we strongly suggest that a protection device shall be used.

GENERAL TECHNICAL INFORMATION:

3. Corona (Ionization)

The phenomenon of corona is the ionization of air trapped inside the capacitor. The air may come from

- a. the air contained inside the dielectric
- b. the air present in between the different layers of the film which form the capacitor
- c. the air present near the ends of the capacitor

When the intensity of the electric field that is formed in a capacitor exceeds the dielectric rigidity of the air, the molecular of the air may be ionized that could damage the dielectric of the capacitor and/or the metallization itself and thereby this phenomenon causes a drop in the capacitance and in case of a persistent ionization, it may rise the capacitor to a short circuit or fire.

The voltage of corona is regarded to start (CSV, corona start voltage) from 250 VAC for a sinusoidal wave or 700 Vp-p (peak to peak) for other wave-form.

For a proper application of a capacitor, please make sure that the capacitor shall be used at the voltage which is lower than CSV.

Please contact with our Technical Service people for more information.

4. Operating Temperature

When a capacitor is in VAC or pulse application, the current flows through the capacitor may make it be heated up. If the capacitor heats up too much, it may be deteriorated thereby causing a short circuit or fire.

It is essential that the operating temperature described for each series in the catalogue shall be followed.

When a capacitor is used at a temperature higher than the maximum operating temperature, the dissipation factor (DF) shall increase and thereby heat is generated by the capacitor itself. Temperature exceeding the maximum allowable temperature, dielectric of the capacitor may be damaged. In such case, it may cause the capacitor to be short circuit or to increase the risk of fire or smoke.

In the case of concerning other components or parts of the circuit generating heat and the heat causing localized heating of the capacitor to a temperature higher than maximum operating temperature, we suggest that the hottest point of the capacitor shall be checked and proper prevention shall be added.

GENERAL TECHNICAL INFORMATION:

5. Hum (Buzz)

The hum is the noise generated when in VAC or pulse application. It is produced in the capacitor due to mechanical vibration of the film caused by the coulomb force which exists between the opposite polarity. A louder hum is generated when the applied voltage waveform is in distortion, and/or contains higher frequency component. Hum does not deteriorate the characteristics of the capacitor. .

6. Across-the-line and interference suppression application

A capacitor which is in Across-the -line and interference suppression application may be subjected to a main power source voltage on permanent basis and to the surges which are caused by lighting or power commutation. For such application, it is recommended that the safety approved capacitors shall be used.

A X2 class capacitor is used for across-the -line and interference suppression application, it is important to make sure that there is no peak pulse higher than 600 V for the capacitors rated 275 VAC,305VAC. Otherwise,it is recommended to add a surge suppressor (e.g. varistor) in parallel to the capacitor.

7. General Precaution

- 1.The capacitors shall be avoided rapid charging and discharging, especially for the metallized capacitor. A rapid charging or discharging will deteriorate the capacitor. We suggest that the capacitor shall be charged or discharged through a resistor with a resistance higher than 1000 ohms.
- 2.The capacitor shall be avoid being mechanical shock.
- 3.When solvent is used to clean the capacitor, inactive material, such as alcohol, shall be used.

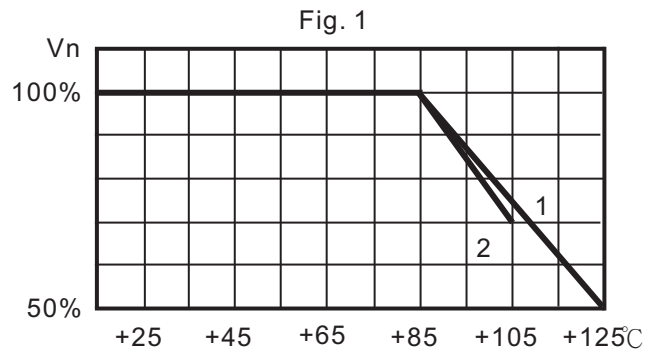
8. Please contact our Technical Service people for more information.



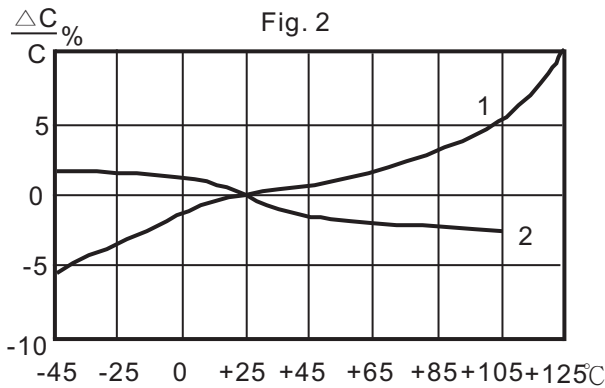
FARAD CAPACITOR REFERENCE DATA-4

TEMPERATURE AND FREQUENCY CHARACTERISTICS

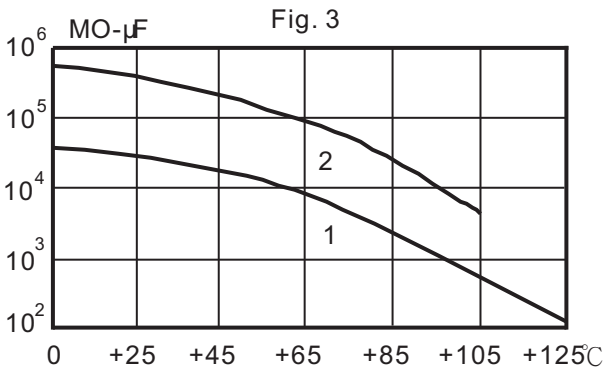
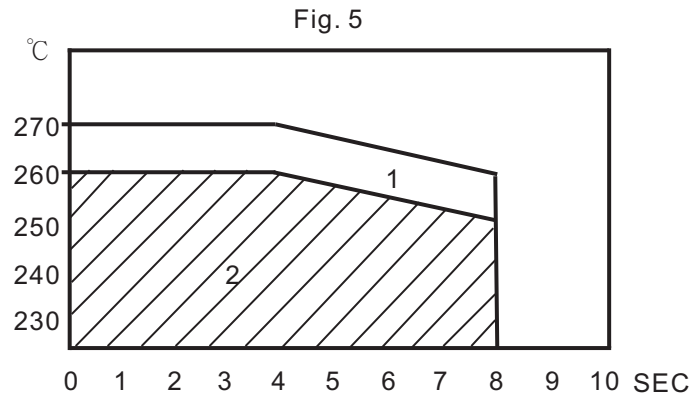
TEMPERATURE CHARACTERISTICS(TYPICAL)



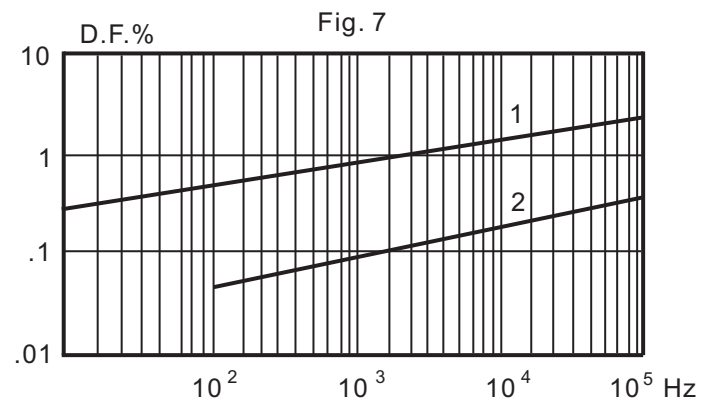
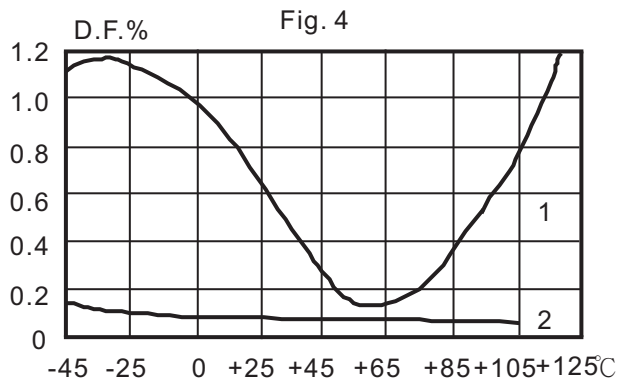
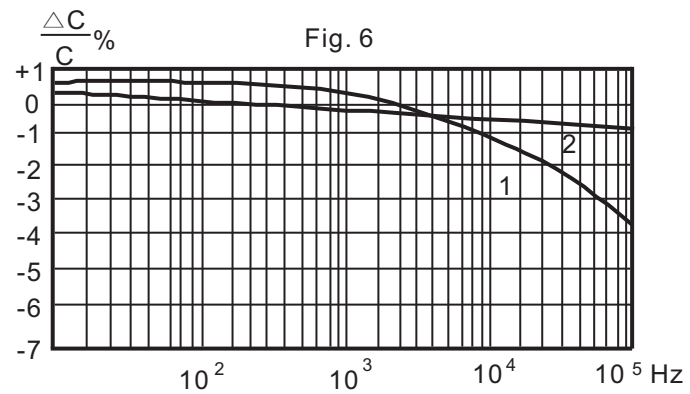
Curve 1 : Polyester dielectric.
Curve 2 : Polypropylene dielectric.



SOLDERING TEMPERATURE VS TIME

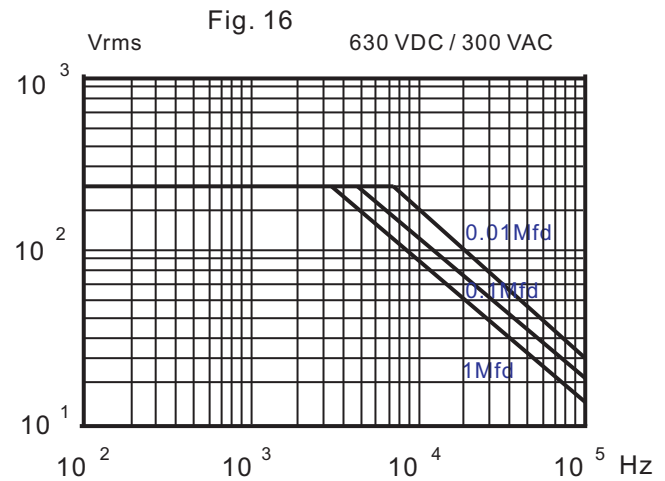
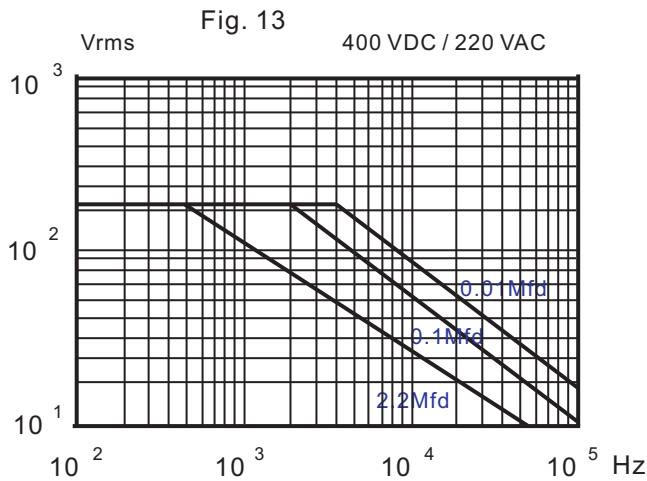
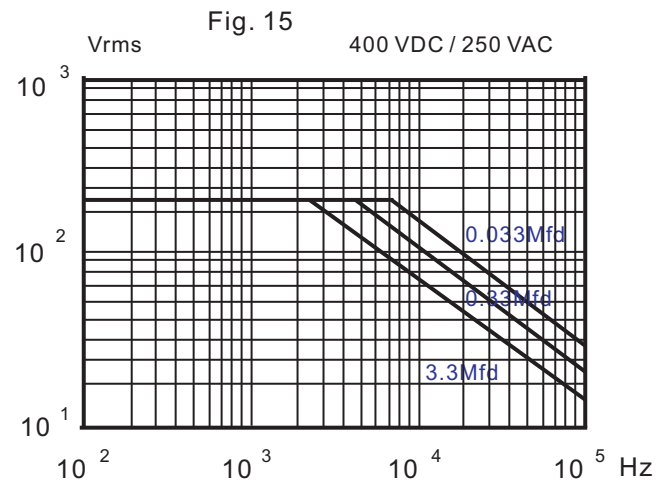
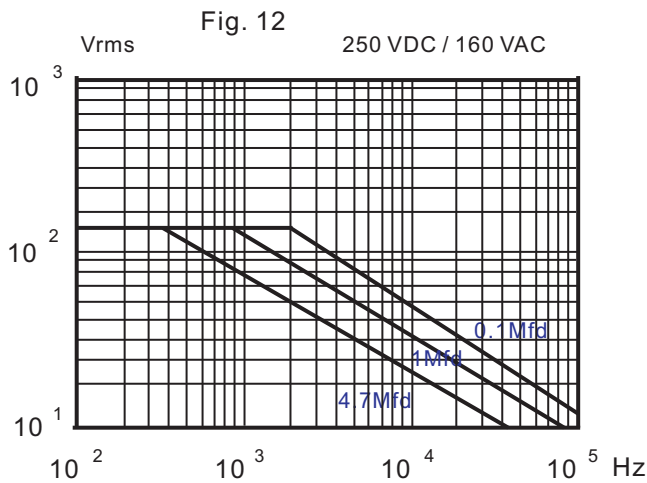
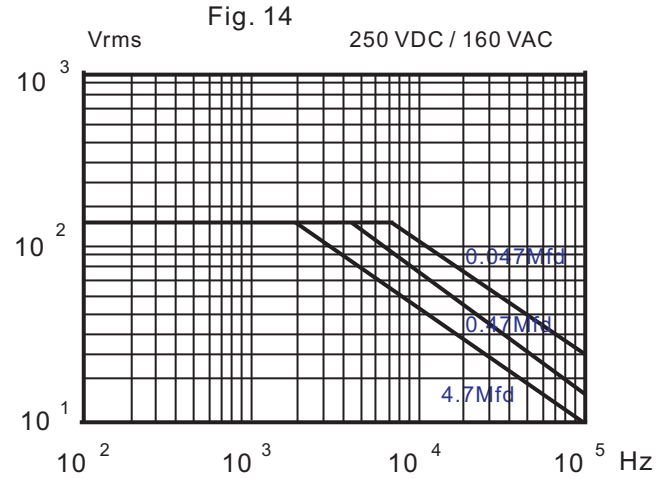
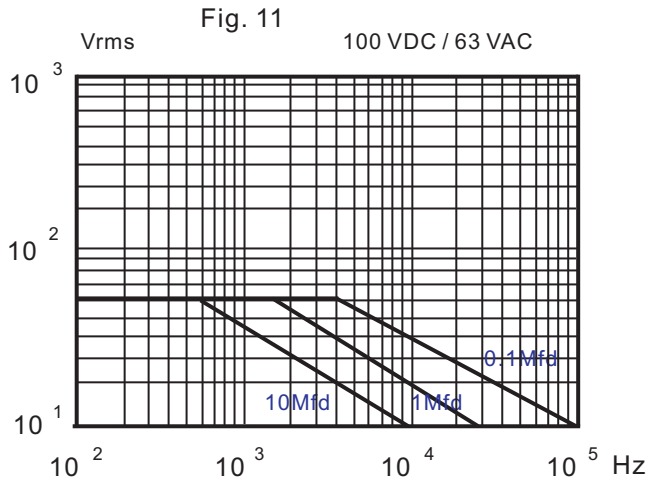


FREQUENCY CHARACTERISTICS(TYPICAL)

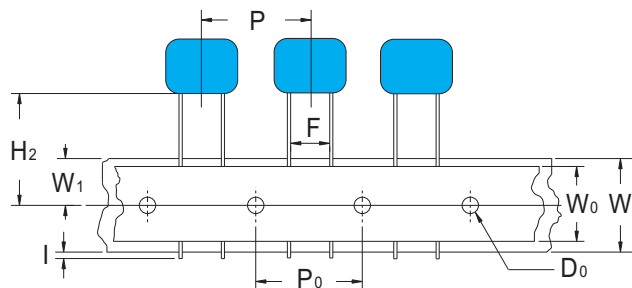


*Fig. 11 to 13 : Polyester dielectric.

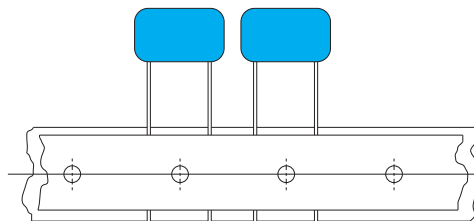
*Fig. 14 to 16 : Polypropylene dielectric.



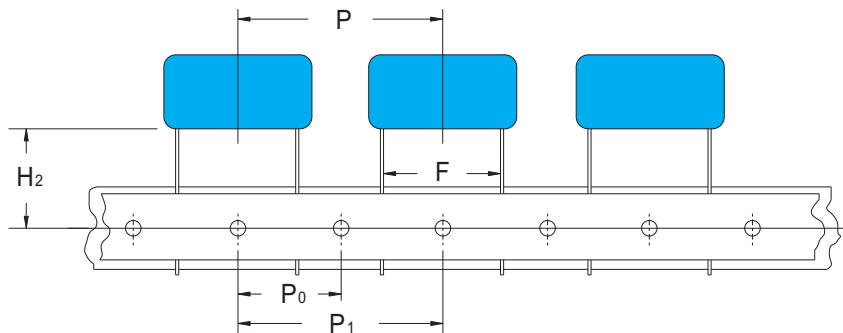
STRAIGHT LEAD TAPING



SINGLE PITCH FOR LEAD SPACE 5 mm



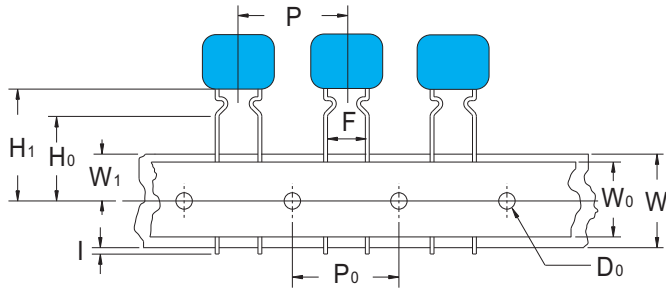
SINGLE PITCH FOR LEAD SPACE 7.5 & 10 mm



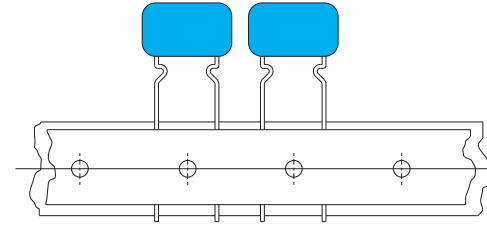
DOUBLE PITCH FOR LEAD SPACE 10 , 15 & 20 mm

DIMENSIONS (mm)		
CODE	SINGLE PITCH	DOUBLE PITCH
P	12.7 ± 1.0	25.4 ± 1.0
P0	12.7 ± 0.2	12.7 ± 0.2
P1		25.4 ± 0.2
F	$(5 , 7.5 , 10) \pm 0.8$	$(10 , 15 , 20) \pm 0.8$
W	18.0 ± 0.5	18.0 ± 0.5
W0	12.5 min.	12.5 min.
W1	9.0 ± 0.5	9.0 ± 0.5
H0	16.0 ± 0.5	16.0 ± 0.5
H1	20.0 ± 0.75	20.0 ± 0.75
H2	18.0 ~ 20.0	18.0 ~ 20.0
I	2.0 max.	2.0 max.
D0	4.0 ± 0.2	4.0 ± 0.2

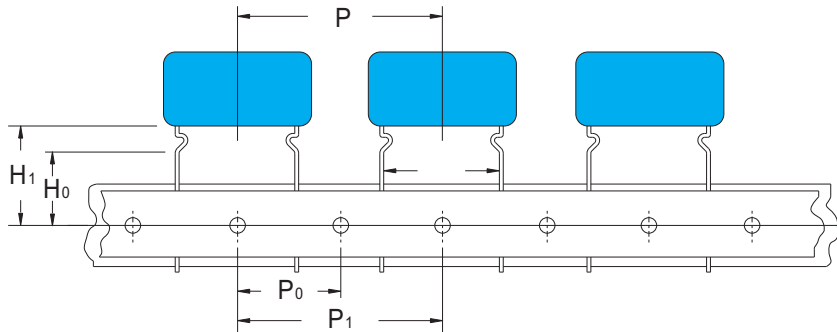
CRIMPED LEAD TAPING



SINGLE PITCH FOR LEAD SPACE 5 mm



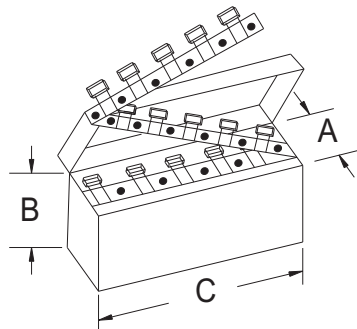
SINGLE PITCH FOR LEAD SPACE 7.5 & 10 mm



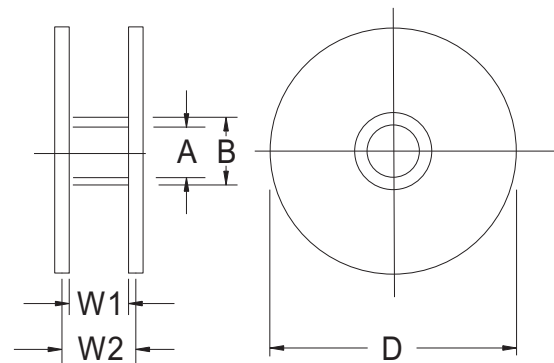
DOUBLE PITCH FOR LEAD SPACE 10 , 15 & 20 mm

PACKING

Ammo Packing



Reel Packing



Dimensions mm(inch)

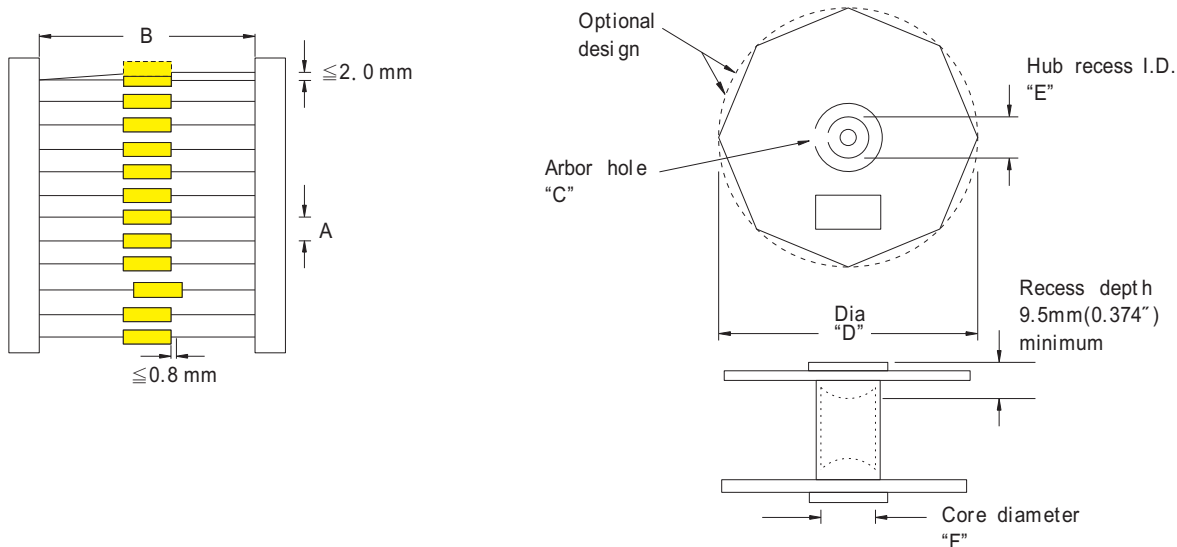
EIA Std.	Farad Spec .
A. 55m ax . (2.17m ax.)	52m m
B. 335m ax . (13.19m ax.)	260m m
C. 335m ax . (13.19m ax.)	330m m

EIA Std.	Farad Spec .
A. 14-30(0.55-1.18)	30mm
B. 80min (13.15min)	80mm
C. 360m ax . (14.17m ax.)	335m m
W1: $45 \pm \frac{5}{2}$ (1.77 \pm $\frac{0.197}{0.08}$)	45m m
W2: 55m ax. (2.17m ax.)	55m m



FARAD CAPACITOR REFERENCE DATA-7

TAPE & REEL OF AXIAL LEAD CAPACITORS FOR AUTOMATIC INSERTION EIA STANDARD RS-296-D



CAPACITOR BODY DIAMETER	CAPACITOR PITCH "A"±0.5mm(0.020")
≤ 5 mm (≤ 0.197")	5 mm or 0.200"
5.01-10 mm (0.197-0.394")	10 mm or 0.400"
10.01-15 mm (0.394-0.591")	15 mm or 0.600"

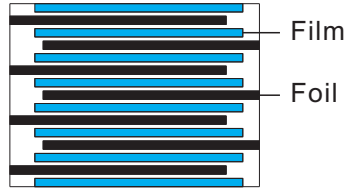
CAPACITOR BODY LENGTH	INSIDE TAPE SPACING "B"±1.5mm(0.059")
≤ 16.50mm (≤ 0.65")	52.4 mm or 2.062"
16.51-28.45mm (0.651-1.12")	63.5 mm or 2.500"
28.46-37.00mm (1.121-1.45")	73.0 mm or 2.874"

	C	D	E	F
EIA Std.	13.9-38.1mm (0.547-1.50")	76.2-355.6mm (3.0-14.0")	28.6-78.0mm (1.126-3.071")	34.5-92.0mm (1.374-3.626")
Farad Spec.	16.0mm(0.63")	355.0mm(13.97")	50.0mm(1.97")	60.0mm(2.36")

Capacitor Body Dia.	Pitch	Quantity Pcs / reel
≤ 5.0 mm	5 mm	4,000 max.
5.1-7.0 mm	10 mm	2,000 max.
7.1-9.5 mm	10 mm	1,000 max.

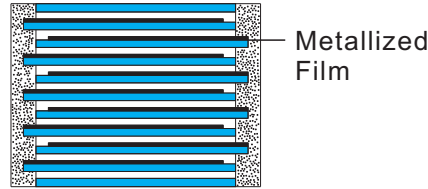
Construction Principles of FARAD Capacitors

Film & Foil



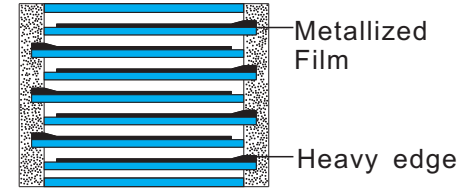
POD POR POT POK PWD
PWT EOD EOR EOT EOF
EWD EWT EWF EWK

Metallized Film



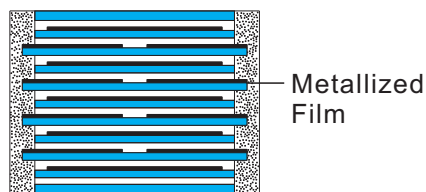
PMD PND PMK PMT PMF
PMR EMD END MND EMT
EMF EMK EMR CRD CRK

Metallized Film & Heavy edge



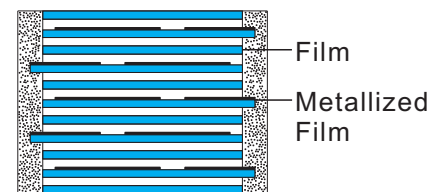
PMK PMT PMF PLD PLK
PUK ELD P XK FXK PAN
PBN PCN

Metallized Film
(2 in Series Connection)



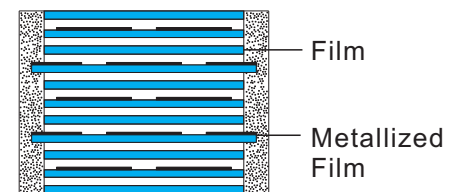
PMS

Metallized Film
(3 in Series Connection)



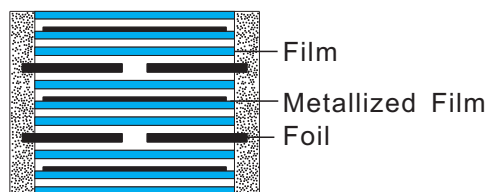
PTA

Metallized Film
(4 in Series Connection)



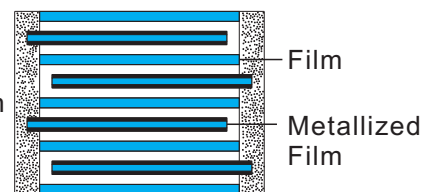
PFA

Film and Foil Construction with
Internal in Series Connection
and Self-Healing, Metallized
Plastic Film



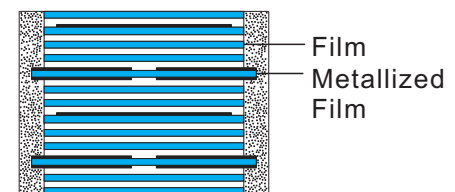
PAD PAT PAK PAR

Pulse Duty Construction
with Self-Healing Plastic
Film Metallized on Both
Sides



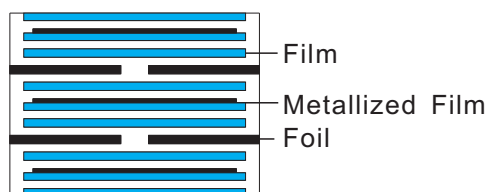
EMK

Pulse Duty Construction
with Internal in Series Connection
and Self-Healing Plastic Film
Metallized on Both Sides



PDD PDK PDF

Film and Foil Construction with
Internal in Series Connection
and Self-Healing, Metallized
Plastic Film



PSS

本公司採用自動化高精度設備，積多年豐富經驗，在嚴格管制下生產的。所有的產品都全數檢驗並自動記錄它的電容量、損失角(或稱損耗因數)、耐電壓與絕緣電阻等主要特性分佈，可提供完整的自動檢驗報告。

除非客戶另有要求，我們採用美國 MIL-STD-105E 的 Level II 以 AQL 0.4% 執行主要特性檢驗；以 AQL 1.5% 作外形或其他次要特性的檢驗。

型式與編號介紹:

製造編號包括兩部份：前半部份是型式代號(TYPE CODE)，用來完整的代表一種電容器。後半部份是批號(LOT NUMBER)，它是本公司一貫生產作業的連續編號。全部製造編號都印在產品標籤上，客戶對批產品如有任何疑問，請記下此編號與我們連絡。

	型式代號					批號
例1:	POD	1K5	S22	J	3	-66577A
例2:	EMT	250	P10	M	4	-67533B
例3:	PMD	100	P47	K	7	-69318C
	型式	規格電壓	電容量	容差率	導線加工	

1. 型式：由三個字母組成，第一個字母表示介質；聚乙酯膜：E；聚丙烯膜：P。第二個字母M表示採用金屬化膜的產品，若無使用特殊材料時，則將第二位字母以"O"。第三個字母表示外觀，形狀，請參照第1頁。圓筒型：T即JIS的08；扁平型：F即JIS的91；沾膠型：D即JIS的93；有感型：L即JIS的92；盒裝型：K即JIS的99。


2. 規格電壓：由三位數表示，其中有K代表千位，如例1的1K5表示1500伏特。

3. 電容量：以Mfd為計算單位。第一字母表示隨後第一個數字的位數；A：10 Mfd 如 A12 表示 12Mfd，W：1 Mfd 如 W15 表示 1.5 Mfd，P：0.1 Mfd 如 P22 表示 0.22 Mfd，S：0.01 Mfd 如 S15 表示 0.015 Mfd，D：0.001 Mfd 如 D47 表示 0.047 Mfd，T：0.0001 Mfd 如 T68 表示 0.00068 Mfd。

4. 容差率：係以JIS與EIA共同通用的代號，請參照DAT A-1的下則說明4。

5. 導線加工：不論各種結構型式，其導線加工以下列代號表示：

0 表示不加工 1 表示內彎 2 表示外彎 3 表示內外彎
4 表示切短 5 表示內彎及切短 6 表示外彎及切短 7 表示內外彎及切短

打印：電容器標示電容量、容差率、直流規格電壓、製造商名稱" FARAD "或商標  或符號 " F "、" F "。

包裝：

(1)散裝：小的紙內盒或者PVC塑膠袋打包及加貼標籤後裝於一個標準外銷箱。

(2)導線同軸型的捲裝：4盒捲裝電容器裝一個標準外銷箱。

(3)導線平行式的捲裝(有感和無感)：

(a)6盒捲裝電容器裝入一個標準外箱。

(b)6盒彈帶型包裝電容器裝入一個標準外銷箱。

塑膠膜電容器使用應注意事項

一. 工作電壓

1. 直流電壓 (VDC)

在電容器的額定溫度 (Rated Temperature) 內, 電容器工作電壓可達額定電壓 (Rated voltage). 在高額定溫度 (Upper Rated Voltage) 和最高工作溫度間, 工作電壓必須依參數降電壓使用. 超電壓使用會造成電容器因短路失效. 金屬化電容器具有自復特性, 如超電壓使用不立即短路, 但會使 IR 下降. 如果 '自復' 持續發生, 可能造成電容器發煙或著火的危險.

2. 交流電壓 (VAC 50/60 Hz)

VDC 額定電壓之塑膠膜電容器是無極性, 雖可以在 VAC 下工作, 但如要長期使用在交流電壓下, 要選用專為交流電壓使用所設計的電容器才正確.

VDC 額定電壓之塑膠膜電容器如使用在 VAC 時, 峰值電壓必須低於額定電壓.

3. 脈沖電壓 (Pulse)

電容器的介值耐電壓強度會隨工作頻率增高而衰減.

二. 容許電流 (Permissible Current)

當電容器在高頻率下工作, 電流和電容器的內阻 (Internal Resistance) 會使電容器溫度上昇. 當電容器的溫度超過最高工作溫度會造成電容器劣化形成開路 (Open) 或短路失效, 嚴重者可能發煙或著火. 電容器決不能超電流使用.

電容器所承受的電流有下列兩種.

1. 有效電流 (RMS Current).

此電流是由週期性的電壓 (period voltage) 所產生的, 也是造成電容器溫升的因素.

2. 脈波峰值電流 (Peak Current)

當高脈波電流在極短的時間內 (微秒間) 通過電容器時, 會造成電容器連接導線部位產生高熱, 劣化. 這種脈波在 Switching, Snubber, Fly-back, Resonance, Striking, ... 都使用. 電容器的 dv/dt (Pulse rise time) 規格值, 定義其耐脈波電流峰值. 其關係如下.

$$I_p = C \times dv/dt \quad I: \text{Amp} \quad C: \mu\text{f} \quad dv/dt: \text{V}/\mu\text{s}$$

脈波使用請慎選合適的 dv/dt 規格電容器.

塑膠膜電容器使用應注意事項

三. 電暈現象 (Corona)

電容器內的電場強度 (Intensity of Electric Field) 超過空氣的介電強度 (dielectric rigidity). 空氣的分子被離子化. 就是電暈現象. 電暈現象會造成介質或金屬鍍層損壞. 如果持續發生會造成電容器短路或電容量衰減. 嚴重者有發煙著火的危險.

電暈現象產生的起始電壓 (CSV) 對正弦波電壓是 250 VAC, 其它波形是 700 Vp-p.

在交流電使用除要慎選額定電壓之外也要注意 CSV.

四. 正弦波高頻交流電壓使用

在正弦波高頻交流電壓使用除了要注意耐電壓對頻率衰減外, 也要考慮耐電流的特性. 兩者都不可超出規定值.


五. 蜂鳴聲 (Hum)

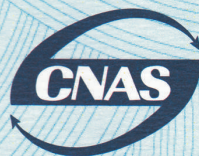
蜂鳴聲一般都發生在交流電路或脈沖電路上. 電流在電容器產生電磁力, 因此 film 產生振動. 振動頻率如在可聽音頻時就可被聽見. 當施加的電壓波形有失真或是旁邊有更高頻的部件也會讓蜂鳴聲變得更大聲. 蜂鳴聲不會劣化電容器的特性.

六. 其他

1. 使用 275 VAC 電源跨接電容器, 不可有超過 600 V 的脈沖電壓. 如有超過時, 我們強力建議要並聯一個突波吸收器 (surge suppressor).
2. 電容器, 尤其是金屬化膜電容器, 不可直接短路放電
3. 電容器被需求的特性越來越多樣化. 可能會有相互排擠的特性要求出現. 對此我們的技術人員可以為你提供建議.

產品標籤式樣：

			FARAD ELECTRONICS CO., LTD.		RoHS	
	METALLIZED POLYPROPYLENE CAPACITOR					產品描述
電容量	CAP.:	0.1 MFD.	Qty:	500 PCS		數量
容許差	TOL.:	±5 %	TYPE:	PMD		型式
額定電壓	Vr.:	250VDC	LOT NO.:	52614090001001R		批號
客戶名稱	CUST'R:	MY2	P/N:	12034104371		客戶料號
製造品號	FECL P/N:	PMD250P10J000	Date:	2014/9/28		製造日期



MANAGEMENT SYSTEM
CNAS C012-E



Registration Number: 01214E10716R0M

Issue Date: November 19, 2014

Expiry Date: November 18, 2017

Note: The information of this certificate may be verified by visiting
Official CNCA Website (www.cnca.gov.cn).

P.O. 1501-33 GZ 510610 P.R.C

Environmental Management System Certificate

(Original)

This is to certify that

FARAD ELECTRONICS (HUIDONG) CO., LTD.

Organization Code: 39805350-7

Registration Address: NIUHUANGYE, HUIPING VILLAGE, DALING TOWN, HUIDONG
COUNTY, HUIZHOU CITY, GUANGDONG PROVINCE, CHINA

Has implemented and maintains an Environmental Management System in compliance with

GB/T 24001-2004 idt ISO 14001:2004

The Environmental Management System is applicable to:

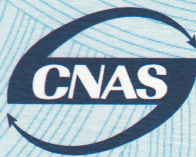
**MANUFACTURE OF PLASTIC FILM CAPACITOR, SMALL
TRANSFORMER, COIL, LED TUBE AND THE
ELECTRONIC BALLAST**

(NO.599, PINGSHA AVENUE, DALING TOWN, HUIDONG COUNTY, HUIZHOU CITY,
GUANGDONG PROVINCE, CHINA)

A handwritten signature in black ink, appearing to read 'Zhao Guoxiang'.

zhao guoxiang
General Manager

CEPREI CERTIFICATION BODY



MANAGEMENT SYSTEM
CNAS C012-Q



Registration Number: 01214Q20715R0M

Issue Date: November 19, 2014

Expiry Date: November 18, 2017

Note: Further clarifications regarding the scope of this certificate and the applicability of ISO 9001:2008 requirements may be obtained by consulting the organization.

The information of this certificate may be verified by visiting Official CNCA Website (www.cnca.gov.cn).

P.O. 1501-33 GZ 510610 P.R.C

Quality Management System Certificate

(Original)

This is to certify that

FARAD ELECTRONICS (HUIDONG) CO., LTD.

Organization Code: 39805350-7

Registration Address: NIUHUANGYE, HUIPING VILLAGE, DALING TOWN, HUIDONG COUNTY, HUIZHOU CITY, GUANGDONG PROVINCE, CHINA

Has implemented and maintains a Quality Management System in compliance with

GB/T 19001-2008 idt ISO 9001:2008

The Quality Management System is applicable to:

DESIGN, MANUFACTURE OF PLASTIC FILM CAPACITOR, SMALL TRANSFORMER AND COIL; DESIGN, MANUFACTURE (ONLY FOR EXPORT PRODUCTS) OF LED TUBE AND THE ELECTRONIC BALLAST

(NO.599, PINGSHA AVENUE, DALING TOWN, HUIDONG COUNTY, HUIZHOU CITY, GUANGDONG PROVINCE, CHINA)

zhao guoxiang
General Manager

CEPREI CERTIFICATION BODY