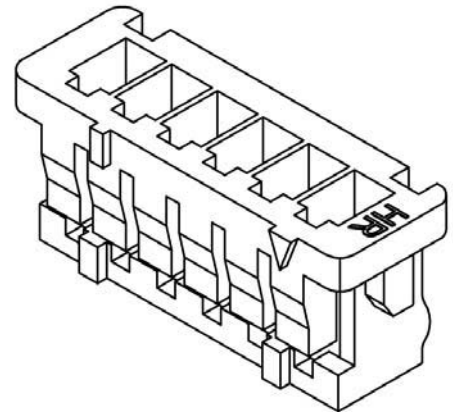


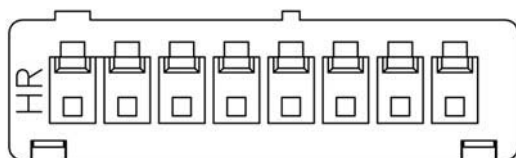
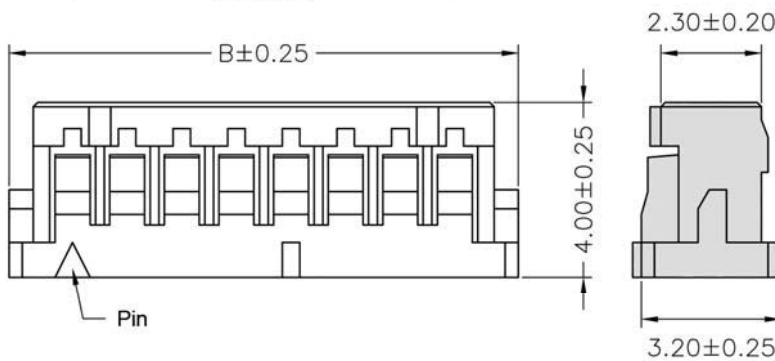
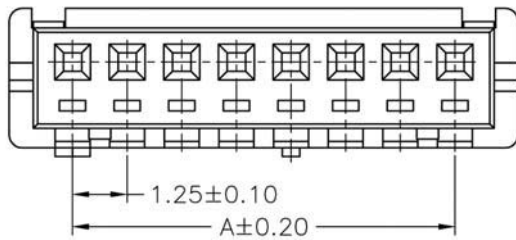
**SVHJ-A1252 SERIES**  
**1.25mm pitch**  
**Single Row Housing**

**SVHJ – A1252H - xxP**



**Specification**

Current Rating	1A AC / DC
Voltage Rating	150V AC / DC
Temperature Range	-25°C ~ +85°C
Contact Resistance	30mΩ Max.
Insulation Resistance	500MΩ Min.
Withstanding Voltage	500V AC/minute
Material	Nylon 66, UL94V-0
Color	7529C ~ 7530C



**Ordering Information & Dimensions**

SVHJ – A1252H - xxP	Dimensions (mm)	
	A	B
SVHJ - A1252H - 2P	1.25	4.15
SVHJ - A1252H - 3P	2.50	5.40
SVHJ - A1252H - 4P	3.75	6.65
SVHJ - A1252H - 5P	5.00	7.90
SVHJ - A1252H - 6P	6.25	9.15
SVHJ - A1252H - 7P	7.50	10.40
SVHJ - A1252H - 8P	8.75	11.65
SVHJ - A1252H - 9P	10.00	12.90
SVHJ - A1252H - 10P	11.25	14.15
SVHJ - A1252H - 11P	12.50	15.40
SVHJ - A1252H - 12P	13.75	16.65
SVHJ - A1252H - 13P	15.00	17.90
SVHJ - A1252H - 14P	16.25	19.15
SVHJ - A1252H - 15P	17.50	20.40

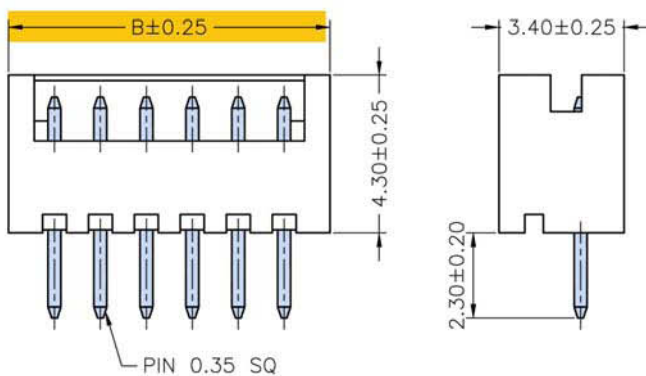
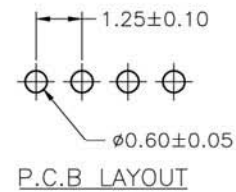
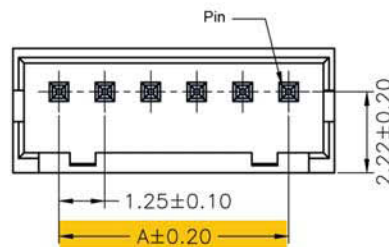
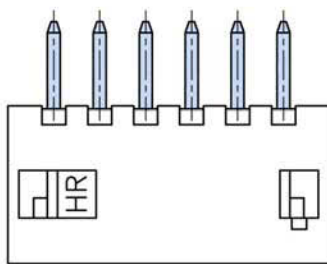
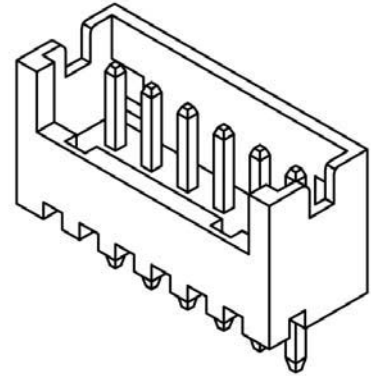
P = Pin

**SVHJ-A1252 SERIES**  
**1.25mm pitch**  
**Vertical Angle**  
**Single Row Wafer DIP**

**SVHJ – A1252WV - xxP**

**Specification**

Current Rating	1A AC / DC
Voltage Rating	150V AC / DC
Temperature Range	-25°C ~ +85°C
Contact Resistance	30mΩ Max.
Insulation Resistance	500MΩ Min.
Withstanding Voltage	500V AC/minute
Pin Material	Brass / Tin-plated
Material	Nylon 66, UL94V-0
Color	7529C ~ 7530C



**Ordering Information & Dimensions**

SVHJ – A1252WV - xxP	Dimensions (mm)	
	A	B
SVHJ - A1252WV - 2P	1.25	3.75
SVHJ - A1252WV - 3P	2.50	5.00
SVHJ - A1252WV - 4P	3.75	6.25
SVHJ - A1252WV - 5P	5.00	7.50
SVHJ - A1252WV - 6P	6.25	8.75
SVHJ - A1252WV - 7P	7.50	10.00
SVHJ - A1252WV - 8P	8.75	11.25
SVHJ - A1252WV - 9P	10.00	12.50
SVHJ - A1252WV - 10P	11.25	13.75
SVHJ - A1252WV - 11P	12.50	15.00
SVHJ - A1252WV - 12P	13.75	16.25
SVHJ - A1252WV - 13P	15.00	17.50
SVHJ - A1252WV - 14P	16.25	18.75
SVHJ - A1252WV - 15P	17.50	20.00

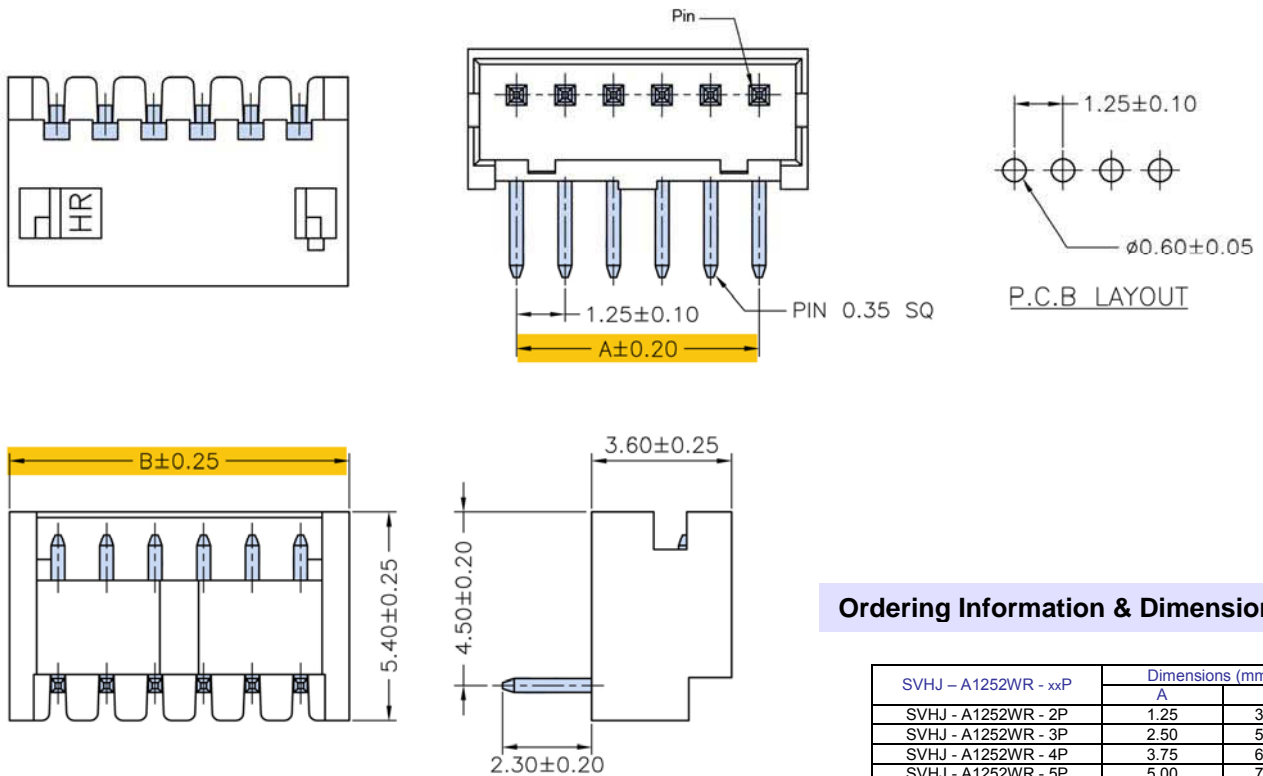
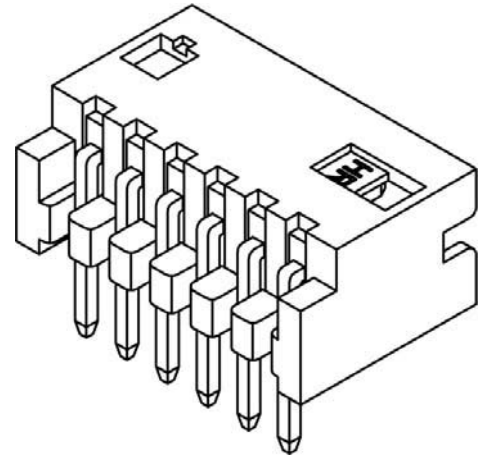
P = Pin

**SVHJ-A1252 SERIES**  
**1.25mm pitch**  
**Right Angle**  
**Single Row Wafer DIP**

**SVHJ – A1252WR - xxP**

**Specification**

Current Rating	1A AC / DC
Voltage Rating	150V AC / DC
Temperature Range	-25°C ~ +85°C
Contact Resistance	30mΩ Max.
Insulation Resistance	500MΩ Min.
Withstanding Voltage	500V AC/minute
Pin Material	Brass / Tin-plated
Material	Nylon 66, UL94V-0
Color	7529C ~ 7530C



**Ordering Information & Dimensions**

SVHJ – A1252WR - xxP	Dimensions (mm)	
	A	B
SVHJ - A1252WR - 2P	1.25	3.75
SVHJ - A1252WR - 3P	2.50	5.00
SVHJ - A1252WR - 4P	3.75	6.25
SVHJ - A1252WR - 5P	5.00	7.50
SVHJ - A1252WR - 6P	6.25	8.75
SVHJ - A1252WR - 7P	7.50	10.00
SVHJ - A1252WR - 8P	8.75	11.25
SVHJ - A1252WR - 9P	10.00	12.50
SVHJ - A1252WR - 10P	11.25	13.75
SVHJ - A1252WR - 11P	12.50	15.00
SVHJ - A1252WR - 12P	13.75	16.25
SVHJ - A1252WR - 13P	15.00	17.50
SVHJ - A1252WR - 14P	16.25	18.75
SVHJ - A1252WR - 15P	17.50	20.00

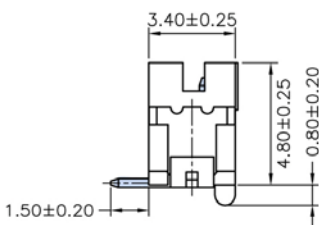
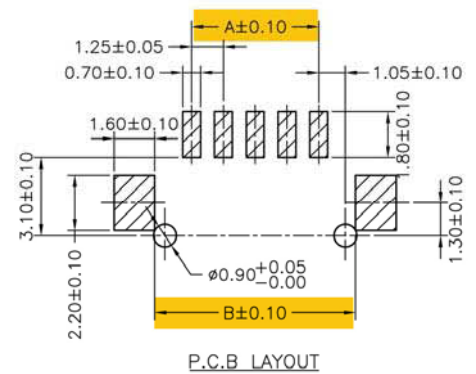
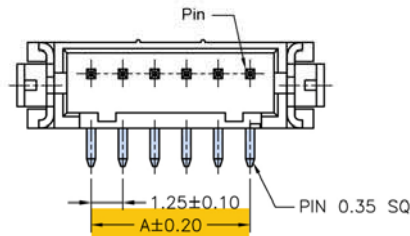
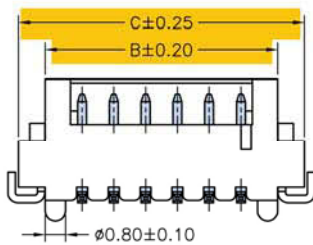
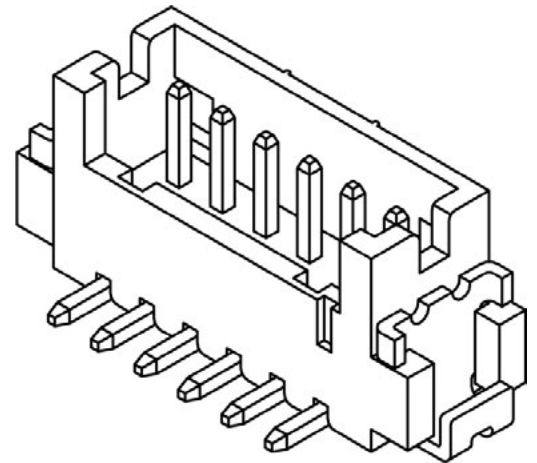
P = Pin

**SVHJ-A1252 SERIES**  
**1.25mm pitch**  
**Vertical Angle**  
**Single Row Wafer SMT**

**SVHJ – A1252WVSF - xxP**

**Specification**

Current Rating	1A AC / DC
Voltage Rating	150V AC / DC
Temperature Range	-25°C ~ +85°C
Contact Resistance	30mΩ Max.
Insulation Resistance	500MΩ Min.
Withstanding Voltage	500V AC/minute
Pin Material	Brass / Gold-flash
Solder Tabs	Phosphor Bronze / Gold-flash
Cap	Nylon 66, UL94V-0 / Natural (Beige)
Material	Nylon 66, UL94V-0
Color	Natural (Beige)



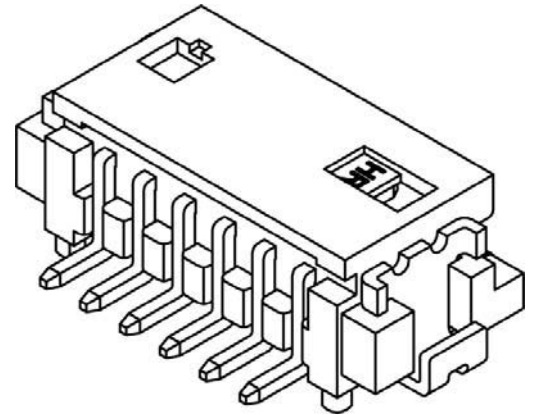
**Ordering Information & Dimensions**

SVHJ - A1252WVSF - xxP	Dimensions		
	A	B	C
SVHJ - A1252WVSF - 2P	1.25	4.15	6.25
SVHJ - A1252WVSF - 3P	2.50	5.40	7.50
SVHJ - A1252WVSF - 4P	3.75	6.65	8.75
SVHJ - A1252WVSF - 5P	5.00	7.90	10.00
SVHJ - A1252WVSF - 6P	6.25	9.15	11.25
SVHJ - A1252WVSF - 7P	7.50	10.40	12.50
SVHJ - A1252WVSF - 8P	8.75	11.65	13.75
SVHJ - A1252WVSF - 9P	10.00	12.90	15.00
SVHJ - A1252WVSF - 10P	11.25	14.15	16.25
SVHJ - A1252WVSF - 11P	12.50	15.40	17.50
SVHJ - A1252WVSF - 12P	13.75	16.65	18.75
SVHJ - A1252WVSF - 13P	15.00	17.90	20.00
SVHJ - A1252WVSF - 14P	16.25	19.15	21.25
SVHJ - A1252WVSF - 15P	17.50	20.40	22.50

P = Pin

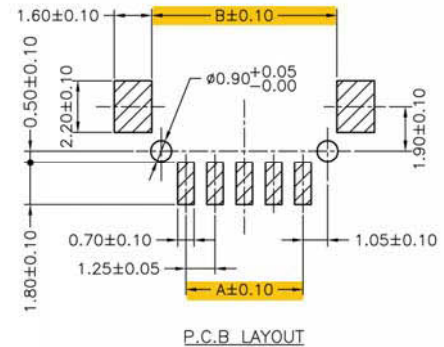
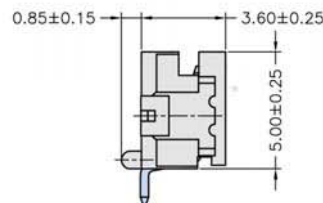
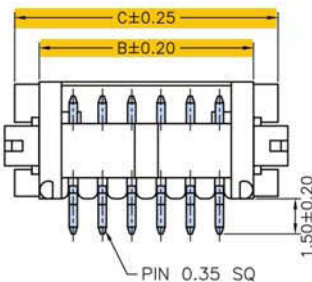
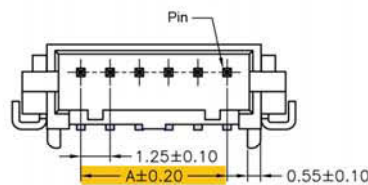
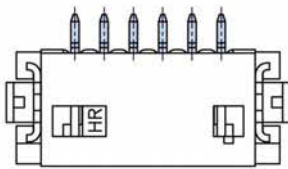
**SVHJ-A1252 SERIES**  
**1.25mm pitch**  
**Right Angle**  
**Single Row Wafer SMT**

**SVHJ – A1252WRSF - xxP**



**Specification**

Current Rating	1A AC / DC
Voltage Rating	150V AC / DC
Temperature Range	-25°C ~ +85°C
Contact Resistance	30mΩ Max.
Insulation Resistance	500MΩ Min.
Withstanding Voltage	500V AC/minute
Pin Material	Brass / Gold-flash
Solder Tabs	Phosphor Bronze / Gold-flash
Cap	Nylon 66, UL94V-0 / Natural (Beige)
Material	Nylon 66, UL94V-0
Color	Natural (Beige)



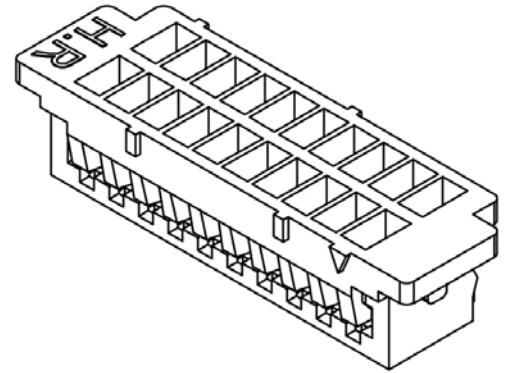
**Ordering Information & Dimensions**

SVHJ - A1252WRSF - xxP	Dimensions		
	A	B	C
SVHJ - A1252WRSF - 2P	1.25	4.15	6.25
SVHJ - A1252WRSF - 3P	2.50	5.40	7.50
SVHJ - A1252WRSF - 4P	3.75	6.65	8.75
SVHJ - A1252WRSF - 5P	5.00	7.90	10.00
SVHJ - A1252WRSF - 6P	6.25	9.15	11.25
SVHJ - A1252WRSF - 7P	7.50	10.40	12.50
SVHJ - A1252WRSF - 8P	8.75	11.65	13.75
SVHJ - A1252WRSF - 9P	10.00	12.90	15.00
SVHJ - A1252WRSF - 10P	11.25	14.15	16.25
SVHJ - A1252WRSF - 11P	12.50	15.40	17.50
SVHJ - A1252WRSF - 12P	13.75	16.65	18.75
SVHJ - A1252WRSF - 13P	15.00	17.90	20.00
SVHJ - A1252WRSF - 14P	16.25	19.15	21.25
SVHJ - A1252WRSF - 15P	17.50	20.40	22.50

P = Pin

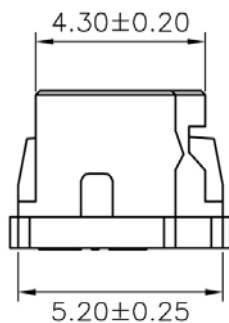
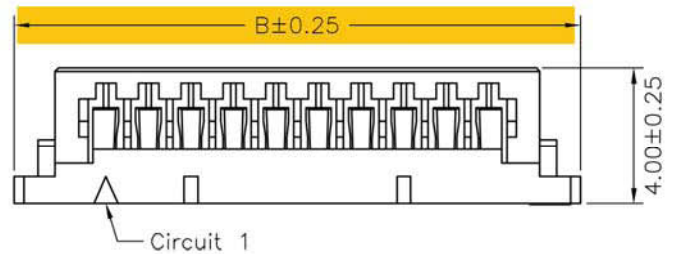
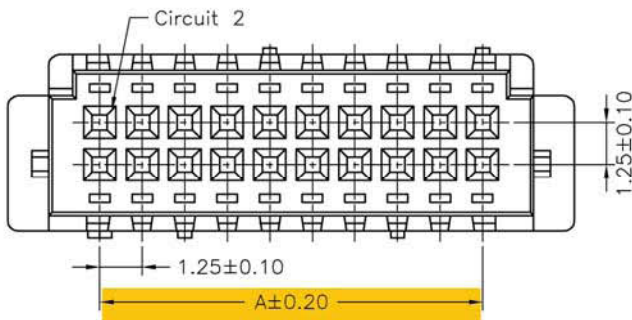
**SVHJ-A1252 SERIES**  
**1.25mm pitch**  
**Dual Row Housing**

**SVHJ – A1252H - 2X xxP**



**Specification**

Current Rating	1A AC / DC
Voltage Rating	150V AC / DC
Temperature Range	-25°C ~ +85°C
Contact Resistance	30mΩ Max.
Insulation Resistance	500MΩ Min.
Withstanding Voltage	500V AC/minute
Material	Nylon 66, UL94V-0
Pantone Color	7529C ~ 7530C



**Ordering Information & Dimensions**

SVHJ - A1252H - 2X xxP	Dimensions	
	A	B
SVHJ - A1252H - 2X5P	5.00	10.40
SVHJ - A1252H - 2X7P	7.50	12.90
SVHJ - A1252H - 2X10P	11.25	16.65
SVHJ - A1252H - 2X15P	17.50	22.90
SVHJ - A1252H - 2X20P	23.75	29.15

P = Pin

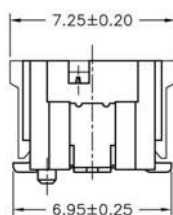
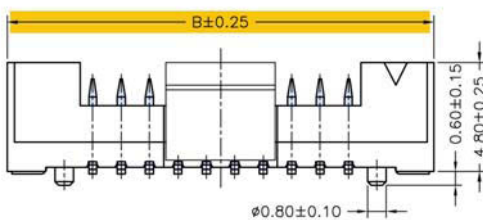
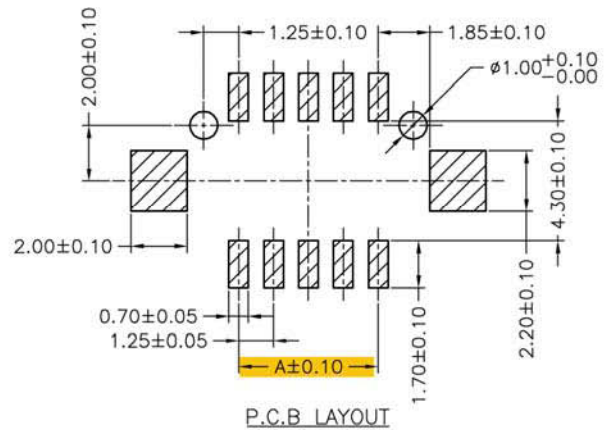
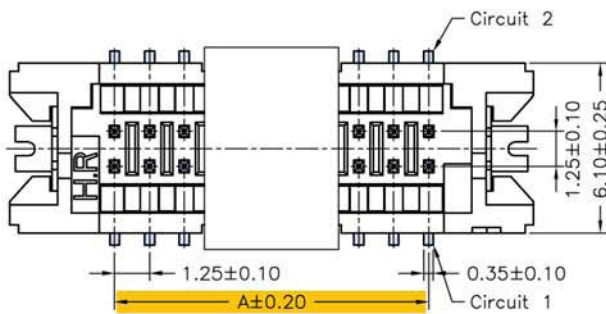
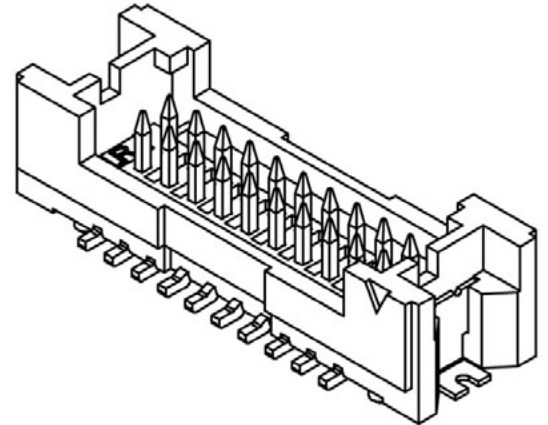


**SVHJ-A1252 SERIES**  
**1.25mm pitch**  
**Vertical Angle**  
**Dual Row Wafer SMT**

**SVHJ – A1252WVSF – 2X xxP**

**Specification**

Current Rating	1A AC / DC
Voltage Rating	150V AC / DC
Temperature Range	-25°C ~ +85°C
Contact Resistance	30mΩ Max.
Insulation Resistance	500MΩ Min.
Withstanding Voltage	500V AC/minute
Pin Material	Brass / Gold-flash
Solder Tabs	Brass / Gold-flash
Cap	Nylon 66, UL94V-0 / Natural (Beige)
Material	Nylon 66, UL94V-0
Color	Natural (Beige)



**Ordering Information & Dimensions**

SVHJ - A1252WVSF - 2X xxP	Dimensions	
	A	B
SVHJ - A1252 WVSF - 2X5P	5.00	12.50
SVHJ - A1252 WVSF - 2X7P	7.50	15.00
SVHJ - A1252 WVSF - 2X10P	11.25	18.75
SVHJ - A1252 WVSF - 2X15P	17.50	25.00
SVHJ - A1252 WVSF - 2X20P	23.75	31.25

P = Pin