

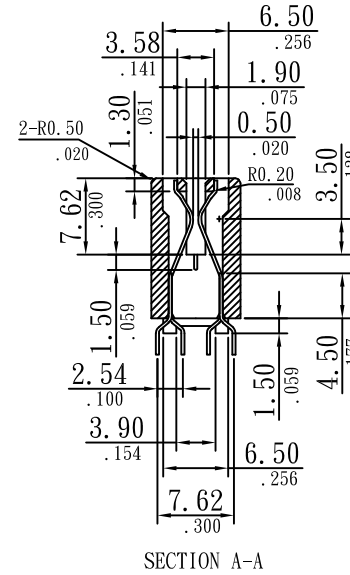
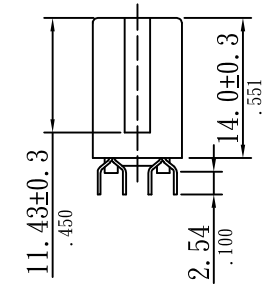
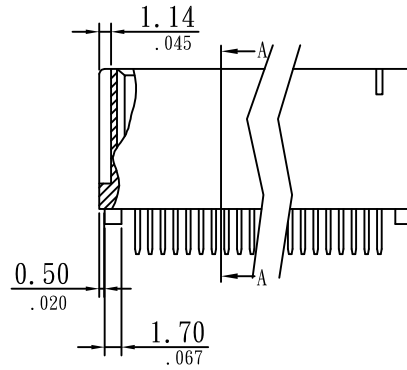
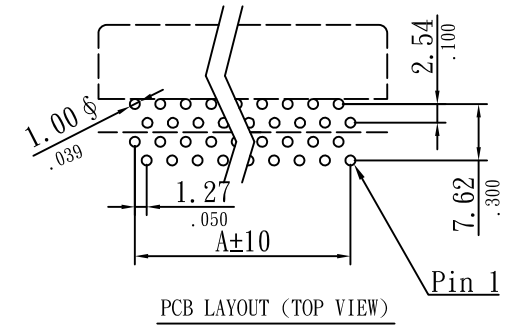
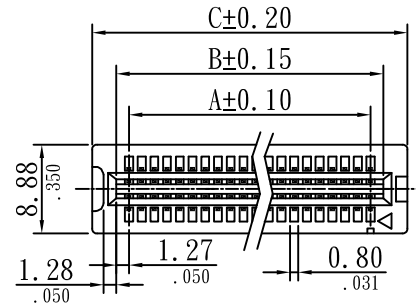
1.27mm(.050") CARD EDGE SLOT

MATERIAL

Insulator: Glass reinforced thermoplastic
 Color: Black
 Contact: Copper alloy
 Plating: Tin/Gold over nickel

SPECIFICATIONS

Temperature range: -55°C ~ +85°C
 Current rating: 1.0A
 Voltage rating: 250V AC
 Dielectric withstand voltage: 500V AC
 Insulation resistance: 1000 MΩ Min.
 Contact resistance: 0.03Ω max



Dimensional Information

Circuits	Dim. A	Dim. B	Dim. C	Circuits	Dim. A	Dim. B	Dim. C
4	1.27(0.050)	3.81(0.150)	8.64(0.340)	40	24.13(0.950)	26.67(1.050)	31.50(1.240)
6	2.54(0.100)	5.08(0.200)	9.91(0.390)	42	25.40(1.000)	27.94(1.100)	32.77(1.290)
8	3.81(0.150)	6.35(0.250)	11.18(0.440)	44	26.67(1.050)	29.21(1.150)	34.04(1.340)
10	5.08(0.200)	7.62(0.300)	12.45(0.490)	46	27.94(1.100)	30.48(1.200)	35.31(1.390)
12	6.35(0.250)	8.89(0.350)	13.72(0.540)	48	29.21(1.150)	31.75(1.250)	36.58(1.440)
14	7.62(0.300)	10.16(0.400)	14.99(0.590)	50	30.48(1.200)	33.02(1.300)	37.85(1.490)
16	8.89(0.350)	11.43(0.450)	16.26(0.640)	52	31.75(1.250)	34.29(1.350)	39.12(1.540)
18	10.16(0.400)	12.70(0.500)	17.53(0.690)	54	33.02(1.300)	35.56(1.400)	40.39(1.590)
20	11.43(0.450)	13.97(0.550)	18.80(0.740)	56	34.29(1.350)	36.83(1.450)	41.66(1.640)
22	12.70(0.500)	15.24(0.600)	20.07(0.790)	58	35.56(1.400)	38.10(1.500)	42.93(1.690)
24	13.97(0.550)	16.51(0.650)	21.34(0.840)	60	36.83(1.450)	39.37(1.550)	44.20(1.740)
26	15.24(0.600)	17.78(0.700)	22.61(0.890)	80	49.53(1.950)	52.07(2.050)	56.90(2.240)
28	16.51(0.650)	19.05(0.750)	23.88(0.940)	100	62.23(2.450)	64.77(2.550)	69.60(2.740)
30	17.78(0.700)	20.32(0.800)	25.15(0.990)	120	74.93(2.950)	77.47(3.050)	82.30(3.240)
32	19.05(0.750)	21.59(0.850)	26.42(1.040)	128	80.01(3.150)	82.55(3.250)	87.38(3.440)
34	20.32(0.800)	22.86(0.900)	27.69(1.090)	160	100.33(3.950)	102.87(4.050)	107.70(4.240)
36	21.59(0.850)	24.13(0.950)	28.96(1.140)	182	114.30(4.500)	116.84(4.600)	121.67(4.790)
38	22.86(0.900)	25.40(1.000)	30.23(1.190)				

www.aitendo.com

S010	NAME	DATE	SCALE: 1:1.5	REV NO	DATE	DESCRIPTION	BY	CHECKED	TOLERANCE UNLESS NOTED	
DRAWN	YXF	2008.04.14-1	UNIT: mm (in.)	A					LINEAR±	.0 ±0.30(.012)
CHECKED	PIQI	2008.04.14-1	CAD NO	B						.00 ±0.20(.008)
APPROVED	MARS	2008.04.14-1		C						.000±0.10(.004)

PART NO ECN50A240PV

PROJECTION: