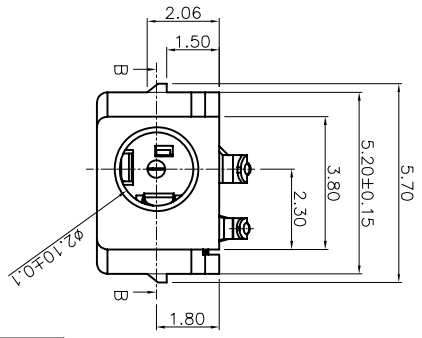
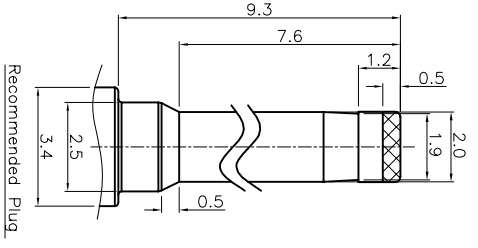
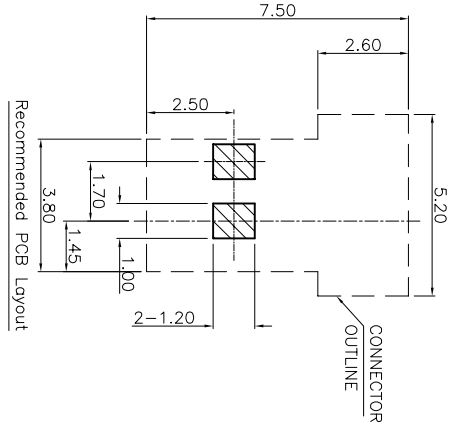
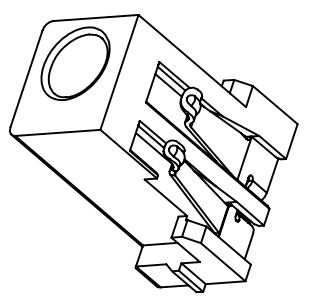
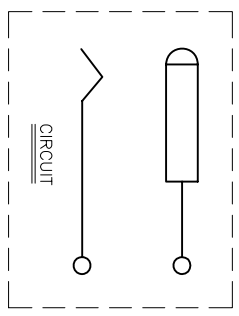
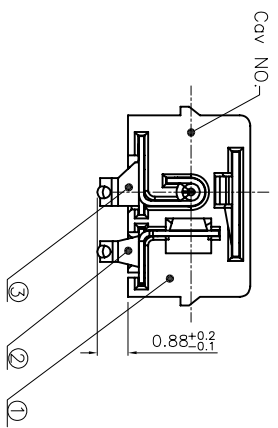
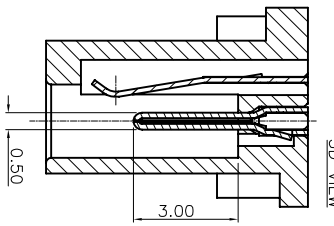
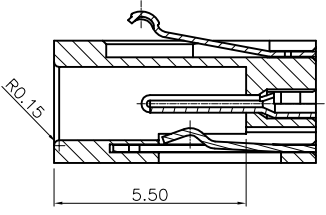
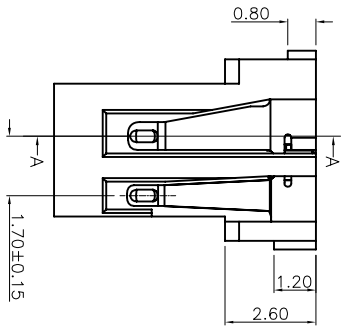
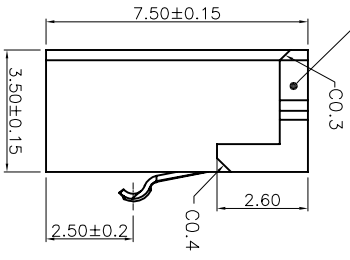
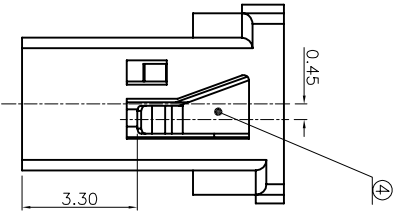


MATTER	RoHS ( PPM )
Cd	≤ 100
Pb	≤ 1000
Hg	≤ 1000
Cr6+	≤ 1000
PBB	≤ 1000
PBDE	≤ 1000



SECTION A-A

SECTION B-B

- NOTES:
1. CONTACT CURRENT RATING: 0.3A.
  2. CONTACT RESISTANCE: 50 mΩ MAX.;
  3. INSULATION RESISTANCE: 1000Ω MIN.;
  4. DIELECTRIC WITHSTANDING: 500V AC MIN.;
  5. DURABILITY: 5000 CYCLES MIN.;
  6. CONNECTOR MATING FORCES: 2.0Kgf MAX.;
  7. CONNECTOR UNMATING FORCES: 0.2Kgf MIN.;
  8. PRODUCT MEET THE REQUEST OF THE RoHs, SEE TABLE A.

MEASURE POINT:	(OP)	(TP)	(BP)
QUADRANT POINT			
TANGENCY POINT			
INTERSECTION POINT			



**GETWELL DEVELOPMENT CO.**

UNLESS OTHERWISE SPECIFIED, TOLERANCE:

X	±0.25
X.X	±0.20
X.XX	±0.15
X.XXX	±0.10
ANGULAR	±5

DESIGN He Shenghui

DATE 11/21/2007

TITLE:

Mini DC JACK CONNECTOR CUSTOMER DWG

CHECKED	DATE

APPROVED	DATE

PART NO.	REV.	SCALE	UNIT
DS-0358S00-030-162	X1	1:1	mm

DRAWING NO.	SIZE	SHEET
DS0358S00-00	A4	1/1



A

B

C

D

E

5