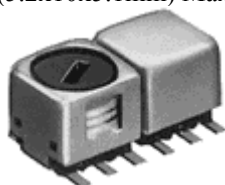


Miniature LC Filters

BACK

4FW
(5.2x10x5.1mm) Max.



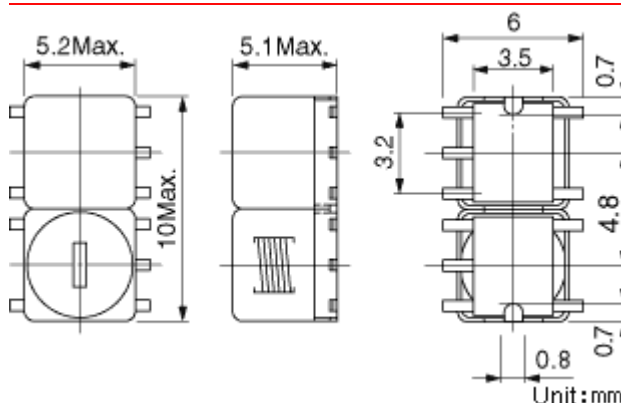
Features

- Ultra-compact LC block filters based on 4 mm square coil units. Suitable for surface mounting
- Basic units will take up to 2 built-in capacitors
- Adjustable and non-adjustable types available. Up to three units may be used in combination
- Highly adaptable - suitable for highpass, lowpass, and bandpass filters, delay lines, equalizers, etc.
- Shield case minimizes interference with other components, allowing high-density layout.
- Suitable for surface mounting (reflow soldering)

Applications

- Developed for use in the compact world of video

Dimensions



Specifications

LPF for Video Camera

TOKO Part No.	Pixels	Characteristics
H355LDK-8287	180k	2.7MHz
G355ENK-8288	180k	2.7MHz
H355LDK-8291	250k	3.8MHz
G355ENK-8292	250k	3.8MHz
H355LDK-8289	360k	5.4MHz
G355ENK-8290	360k	5.4MHz
H355LDK-8281	380k	5.72MHz
G355ENK-8282	380k	5.72MHz
TH355LSK-8620	480k over	15MHz
TH355LSK-8623	480k over	30MHz

Lowpass Filter

TOKO Part No.	Cut-off Frequency	Group Delay
H355LNJ-3590	0.7MHz	780ns.
H355LNK-4169	0.8MHz	460ns.
H355LNK-1682	0.9MHz	600ns.
H355LSK-4141	1.0MHz	360ns.
H355LSK-4139	1.2MHz	480ns.
H355LSK-2517	1.3MHz	260ns.
H355LSK-1791	1.5MHz	300ns.
H355LSK-3909	1.8MHz	340ns.
H355LSJ-2840	2.0MHz	280ns.
H355LNK-2154	0.7MHz	750ns.
H355LNK-2139	0.9MHz	850ns.
H355LNK-2141	1.0MHz	630ns.
H355LNK-2420	1.3MHz	670ns.
H355LNJ-1240	1.5MHz	225ns.
H355LSJ-4328	2.2MHz	200ns.

Filters for RGB Encoder

TOKO Part No.	Applications	Impedance

H355BSJ-2929KPD	3.58MHz BPF	1K Ω
H355BSJ-2953KPD	4.43MHz BPF	1K Ω
TH355LNK-5751	Y Delay Line	1K Ω

Filters for DVD

TOKO Part No.	Applications	Impedance
TH355LSK-7940	RF LPF	330 Ω

Filters for Digital VHS

TOKO Part No.	Applications	Impedance
TG355ENK-6675	Transversal Filter	330 Ω

Filters for MUSE decoder, M-N Converter

TOKO Part No.	Applications	Impedance
TH355LDK-7915	8.15MHz LPF	330 Ω
TG355ENK-7916	8.15MHz LPF	330 Ω

Filters for Digital TV

TOKO Part No.	Applications
H355LNK-8478	OUT LPF

Wide band delay time

TOKO Part No.	Group Delay	Impedance
TG355ENK-6892	20ns.	150 Ω
TG355ENK-6893	30ns.	150 Ω
TG355ENK-6894	40ns.	150 Ω
TG355ENK-6895	50ns.	150 Ω

Equalizing transformer

TOKO Part No.	Bandwidth	Group Delay
G355ENK-3277	10MHz	70ns.
G355ENK-4546	10MHz	90ns.
G355ENK-3268	10MHz	100ns.
G355ENK-4455	9MHz	120ns.
G355ENK-4497	6MHz	160ns.
G355ENK-3238	7MHz	150ns.
G355ENK-4667	5MHz	180ns.
G355ENK-3504	5MHz	200ns.
G355ENK-3404	4MHz	220ns.
G355ENK-4099	3MHz	250ns.
G355ENK-4100	3MHz	290ns.
G355ENK-1677	1.5MHz	600ns.
G355ENK-2221	1.5MHz	650ns.
TG355ENK-5239	7MHz	140ns.

H355LSJ-4247	2.5MHz	200ns.
H355LSK-4077	2.8MHz	200ns.
TH355LSK-4681	1.5MHz	220ns.
H355LSK-4075	1.8MHz	220ns.
H355LDJ-3074	2.5MHz	120ns.
H355LSK-2903	2.8MHz	210ns.
H355LSJ-3938	3.0MHz	200ns.
H355LNK-1569	3.5MHz	250ns.
H355LSK-4406	4.0MHz	180ns.
H355LSK-1622	4.5MHz	175ns.
TH355LSK-4889	1.8MHz	200ns.
H355LSK-2924	2.2MHz	225ns.
H355LNK-2052	3.5MHz	195ns.
H355LSJ-3914	4.0MHz	195ns.
H355LSK-4597	5.0MHz	120ns.
G355LSK-4575	6.0MHz	100ns.
H355LSJ-3133	4.0MHz	170ns.
H355LSJ-3369	4.5MHz	140ns.
H355LSK-4116	5.0MHz	170ns.
H355LSK-3334	5.5MHz	120ns.
H355LSK-3149	6.0MHz	125ns.
H355LNK-4727	7.0MHz	140ns.
H355LSJ-1156	3.0MHz	160ns.
H355LSK-2922	5.0MHz	175ns.
H355LNK-2037	5.5MHz	130ns.
H355LSJ-4539	6.0MHz	90ns.
TH355LSK-4876	8.0MHz	100ns.
H355LSJ-4571	10.0MHz	75ns.
H355LSK-2032	0.7MHz	430ns.
H355LNK-1132	3.0MHz	260ns.
H355LNK-1231	3.5MHz	300ns.
H355LNK-4627	4.0MHz	220ns.
H355LNK-1237	4.5MHz	200ns.
TH355LNK-4867	5.0MHz	200ns.
H355LNK-4478	6.0MHz	150ns.
H355LNK-2931	7.0MHz	150ns.
H355LSK-4079	8.0MHz	110ns.
TH355LNK-4550	10.0MHz	80ns.

Bandpass filter

TOKO Part No.	Center Frequency	Bandwidth	Group Delay	
H355BDK-3315	1.5MHz	1.2MHz (-3dB)	1500ns.	0.
H355BDK-3852	1.5MHz	0.2MHz (-3dB)	2500ns.	1.
H355BDK-4061	1.7MHz	0.3MHz (-3dB)	1350ns.	
H355BDK-3853	1.7MHz	0.2MHz (-3dB)	3300ns.	1.
H355BSJ-4013	3.58MHz	1.3MHz (-3dB)	350ns.	4
H355BSK-1959	3.58MHz	2.7MHz (-3dB)	400ns.	4
H355BSK-4944	3.58MHz	2.2MHz (-3dB)	500ns.	4
H355BDJ-1557	3.58MHz	3.4MHz (-3dB)	240ns.	5
H355BSK-2372	3.58MHz	2.6MHz (-3dB)	450ns.	5
A355BNK-3798	4.21MHz	0.8MHz (-3dB)	800ns.	2.9
H355BDK-1025	4.23MHz	1.9MHz (-3dB)	450ns.	2.
H355BSK-3536	4.43MHz	1.2MHz (-3dB)	450ns.	
H355BSK-1545	4.43MHz	2.3MHz (-3dB)	500ns.	
H355BDK-3478	5.06MHz	0.8MHz (-3dB)	470ns.	3.7
H355BNK-3801	5.06MHz	1.0MHz (-3dB)	680ns.	3.8
H355BSJ-4285	3.58MHz	2.5MHz (-3dB)	180ns.	7
H355BSJ-1710	3.58MHz	2.3MHz (-3dB)	220ns.	7
H355BSJ-3135	3.58MHz	2.0MHz (-3dB)	240ns.	7
H355BSJ-1449	3.58MHz	2.0MHz (-3dB)	270ns.	7
H355BDI-4112	3.58MHz	1.3MHz (-3dB)	350ns.	
H355BSK-5218	3.58MHz	2.5MHz (-3dB)	400ns.	7
H355BSJ-2953	4.43MHz	2.5MHz (-3dB)	180ns.	8
H355BDI-4957	4.43MHz	2.0MHz (-3dB)	220ns.	
H355BDI-4325	4.43MHz	1.2MHz (-3dB)	350ns.	