

RF-300EA



Precious metal-brush motors

OUTPUT : 0.02W~0.6W (APPROX)

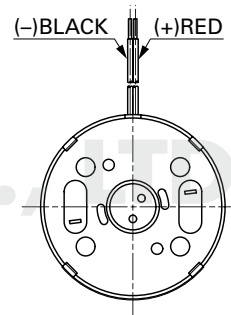
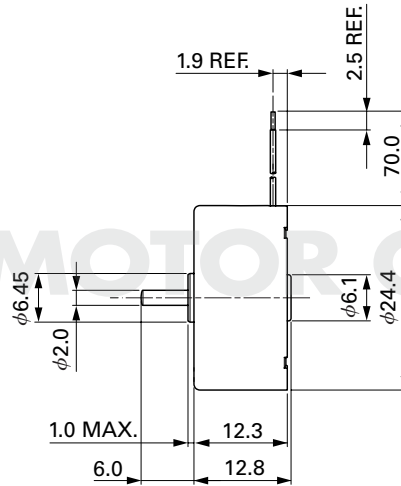
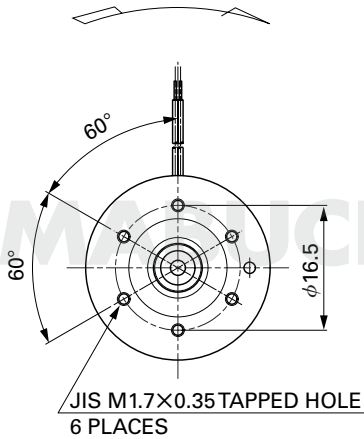
WEIGHT : 22g (APPROX)

Typical Applications Audio and Visual Equipment : Car CD Player / CD Player / DVD Player / Video Game Precision Instruments

MODEL	VOLTAGE		NO LOAD		AT MAXIMUM EFFICIENCY				STALL			
	OPERATING RANGE	NOMINAL	SPEED r/min	CURRENT A	SPEED r/min	CURRENT A	TORQUE mN-m	TORQUE g-cm	OUTPUT W	TORQUE mN-m	TORQUE g-cm	CURRENT A
RF-300EA-1D390	1.6~6.5	2V CONSTANT	2200	0.015	1710	0.052	0.27	2.8	0.049	1.22	12	0.18

Also available with terminals (without leadwires).

DIRECTION OF ROTATION



Usable machine screw length 1.1 max. from motor mounting surface.

UNIT: MILLIMETERS

RF-300EA-1D390

2.0V

