

4

3

2

1

THIS DRAWING IS UNPUBLISHED.

RELEASED FOR PUBLICATION

---

© COPYRIGHT - By -

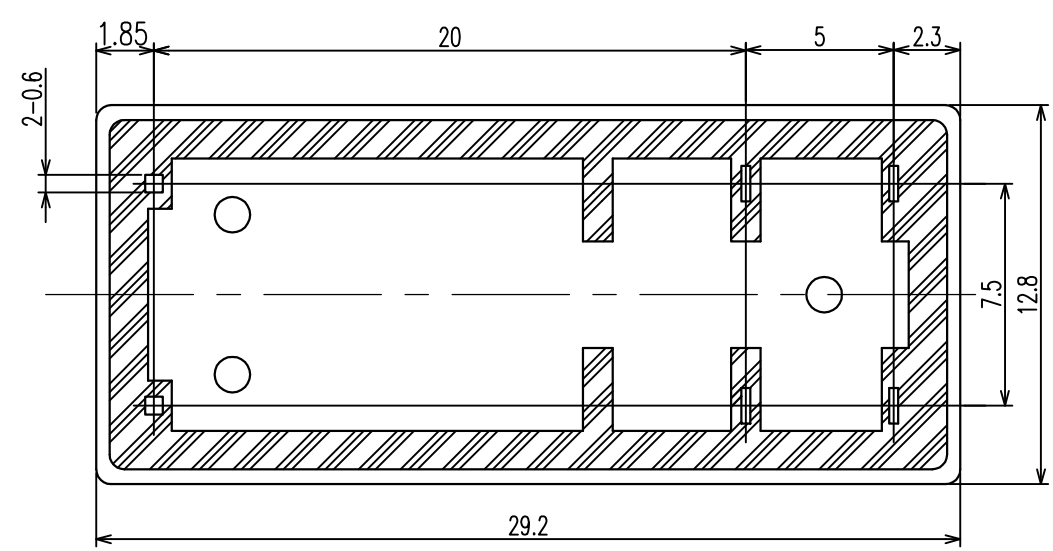
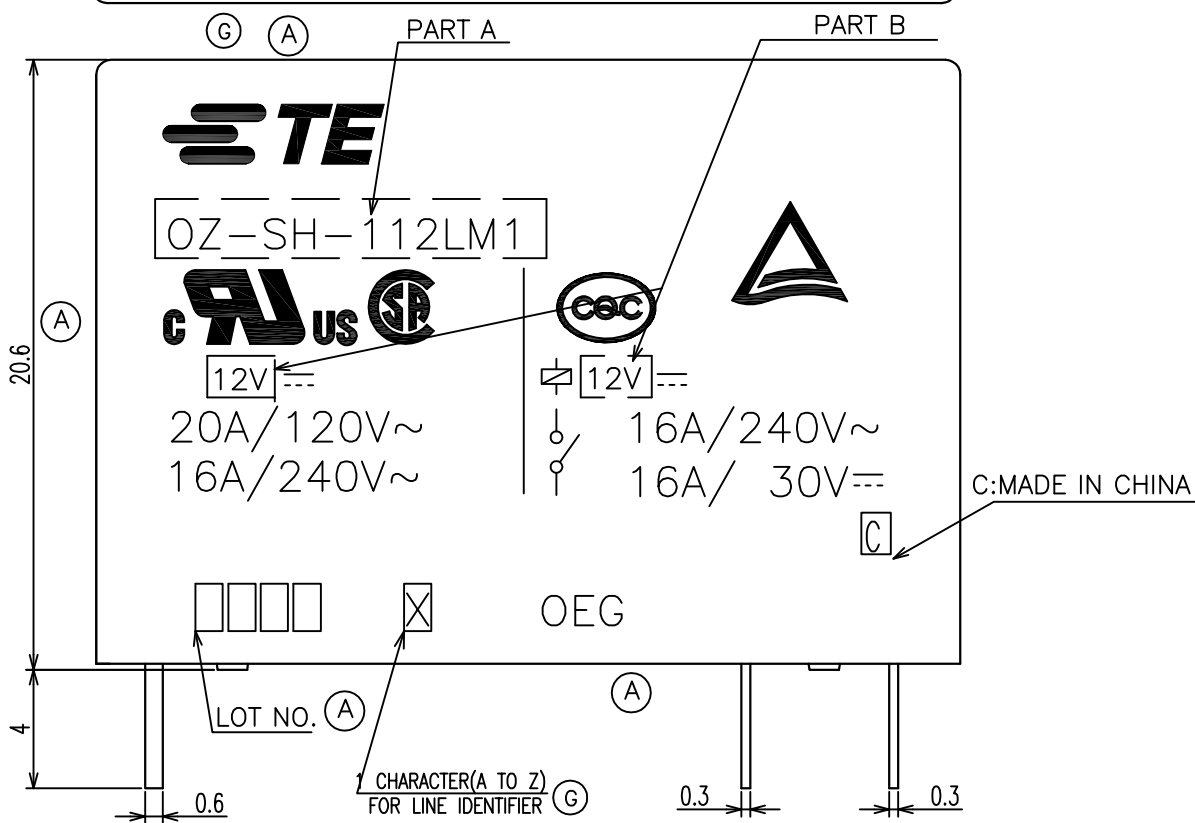
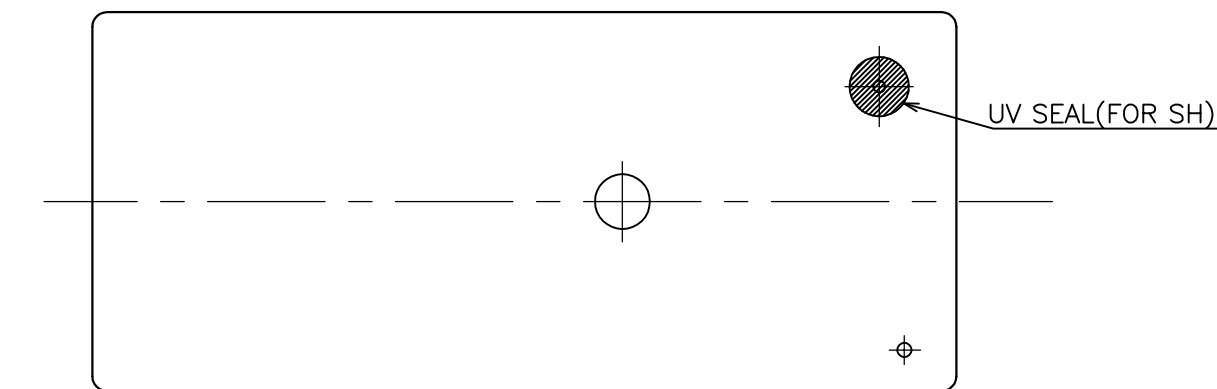
ALL RIGHTS RESERVED.

LOC  
HB

DIST  
-

REVISIONS

| P | LTR | DESCRIPTION | DATE          | DWN       | APVD     |
|---|-----|-------------|---------------|-----------|----------|
|   | H   | REVISE ONLY | ECO-13-015347 | 16-DEC-13 | XL,Y B,F |



NOTES:  
 1. TERMINAL DIMENSION IS NOT INCLUDING SOLDER TIP.  
 2. LOT NO. SYSTEM AS FOLLOING:  
 0 8 2 5  
 WEEK  
 YEAR

3. GENERAL TOLERANCE AS FOLLOING:

| TOLERANCE  |      |
|------------|------|
| 0~0.99mm   | ±0.1 |
| 1mm~2.99mm | ±0.2 |
| 3mm MIN.   | ±0.3 |

4. FOR THE TIN-PLATING OF THE PINS:  
 +0.1mm FOR WIDTH, THICKNESS AND DIAMETER.  
 +0.5mm FOR LENGTH.

THIS DRAWING IS A CONTROLLED DOCUMENT.

|                        |   |
|------------------------|---|
| DWN<br>SHIMING.CHEN    | TE Connectivity<br>OZ-1M CUSTOMER DRAWING |
| CHK<br>WAYNE.PENG      |   |
| APVD<br>FUNAYAMA.NAOYA |   |
| PRODUCT SPEC           |   |
| APPLICATION SPEC       | RESTRICTED TO                             |
| WEIGHT                 | SIZE<br>A3                                |
| CUSTOMER DRAWING       | CAGE CODE<br>00779                        |
|                        | DRAWING NO<br>C=1440002-5                 |
|                        | SCALE<br>4:1                              |
|                        | SHEET<br>1 of 2                           |
|                        | REV<br>H                                  |

THIS DRAWING IS UNPUBLISHED.

RELEASED FOR PUBLICATION

---

© COPYRIGHT - By -

ALL RIGHTS RESERVED.

LOC

DIST

REVISIONS

HB

-

P

LTR

DESCRIPTION

DATE

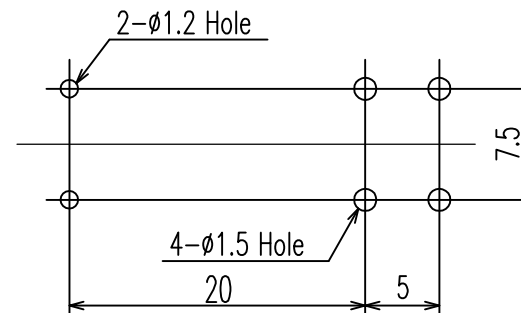
DWN

APVD

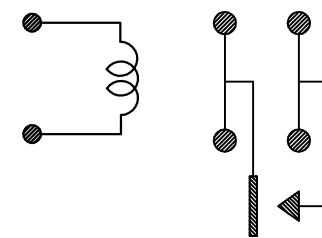
|      |               |              |        |              |      |
|------|---------------|--------------|--------|--------------|------|
| (F1) | 1-1461250-4   | OZ-SH-112DM1 | 12V    | OZ-SH-112DM1 | y    |
|      | 1-1461250-9   | OZ-SH-148LM1 | 48V    | OZ-SH-148LM1 | x    |
|      | 1-1461250-7   | OZ-SH-148DM1 | 48V    | OZ-SH-148DM1 | w    |
|      | 1-1461250-5   | OZ-SH-124LM1 | 24V    | OZ-SH-124LM1 | v    |
|      | 1-1461250-3   | OZ-SH-109LM1 | 9V     | OZ-SH-109LM1 | u    |
|      | 1-1461250-1   | OZ-SH-109DM1 | 9V     | OZ-SH-109DM1 | t    |
|      | 0-1461250-9   | OZ-SH-106LM1 | 6V     | OZ-SH-106LM1 | s    |
|      | 0-1461250-7   | OZ-SH-106DM1 | 6V     | OZ-SH-106DM1 | r    |
|      | 0-1461250-4   | OZ-SH-105DM1 | 5V     | OZ-SH-105DM1 | q    |
|      | 0-1-1440002-0 | OZ-SH-124DM1 | 24V    | OZ-SH-124DM1 | p    |
|      | 0-1440002-8   | OZ-SH-112LM1 | 12V    | OZ-SH-112LM1 | o    |
|      | 0-1440002-5   | OZ-SH-105LM1 | 5V     | OZ-SH-105LM1 | n    |
|      | 7-1440009-5   | OZ-SS-103LM1 | 3V     | OZ-SS-103LM1 | m    |
|      | 0-1461355-1   | OZ-SS-118DM1 | 18V    | OZ-SS-118DM1 | l    |
|      | 0-1461251-5   | OZ-SS-105DM1 | 5V     | OZ-SS-105DM1 | k    |
|      | 0-1461251-4   | OZ-SS-109DM1 | 9V     | OZ-SS-109DM1 | j    |
|      | 0-1461251-3   | OZ-SS-105LM1 | 5V     | OZ-SS-105LM1 | i    |
|      | 3-1440002-0   | OZ-SS-148DM1 | 48V    | OZ-SS-148DM1 | h    |
|      | 2-1440002-9   | OZ-SS-124LM1 | 24V    | OZ-SS-124LM1 | g    |
|      | 2-1440002-6   | OZ-SS-124DM1 | 24V    | OZ-SS-124DM1 | f    |
|      | 2-1440002-4   | OZ-SS-112LM1 | 12V    | OZ-SS-112LM1 | e    |
|      | 2-1440002-2   | OZ-SS-112DM1 | 12V    | OZ-SS-112DM1 | d    |
|      | 2-1440002-0   | OZ-SS-109LM1 | 9V     | OZ-SS-109LM1 | c    |
|      | 1-1440002-7   | OZ-SS-106LM1 | 6V     | OZ-SS-106LM1 | b    |
|      | 1-1440002-5   | OZ-SS-106DM1 | 6V     | OZ-SS-106DM1 | a    |
|      | PART NO       | DESCRIPTION  | PART B | PART A       | ITEM |

RELAY TYPE

DRILLING DIAGRAM (BOTTOM VIEW)



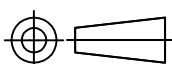
CIRCUIT DIAGRAM(2/1) (BOTTOM VIEW)



|                  |            |             |                    |      |
|------------------|------------|-------------|--------------------|------|
|                  |            | UV RESIN    | UV SEAL            | 16   |
|                  |            | EPOXY RESIN | SEAL               | 15   |
|                  |            | Cu ALLOY    | HINGE SPRING       | 14   |
|                  |            | PBT         | CASE               | 13   |
|                  |            | MW79        | MAGNETIC WIRE      | 12   |
| UL94V-0          |            | PET         | BASE               | 11   |
| UL94HB           |            | PBT         | BOBBIN             | 10   |
|                  | SOLDER DIP | Cu ALLOY    | COIL TERMINAL      | 9    |
| UL94V-0          |            | PPS         | CARD               | 8    |
|                  |            | Ag ALLOY    | MOVABLE CONTACT    | 7    |
|                  |            | Ag ALLOY    | STATIONARY CONTACT | 6    |
|                  | SOLDER DIP | Cu ALLOY    | MOVABLE SPRING     | 5    |
|                  | SOLDER DIP | Cu ALLOY    | NO-TERMINAL        | 4    |
|                  | Ni PLATED  | STEEL       | CORE               | 3    |
|                  | Ni PLATED  | STEEL       | ARMATURE           | 2    |
|                  | Ni PLATED  | STEEL       | YOKE               | 1    |
| INCOMBUSTIBILITY | TREATMENT  | MATERIAL    | DESCRIPTION        | ITEM |

THIS DRAWING IS A CONTROLLED DOCUMENT.

|             |  |
|-------------|--|
| DIMENSIONS: | TOLERANCES UNLESS OTHERWISE SPECIFIED: |
| mm          | 0 PLC ± -                              |
|             | 1 PLC ± -                              |
|             | 2 PLC ± -                              |
|             | 3 PLC ± -                              |
|             | 4 PLC ± -                              |
|             | ANGLES ± -                             |
| MATERIAL    | FINISH                                 |
| -           | -                                      |



|                  |   |
|------------------|---|
| DWN              | - |
| CHK              | - |
| APVD             | - |
| PRODUCT SPEC     | - |
| APPLICATION SPEC | - |
| WEIGHT           | - |
| CUSTOMER DRAWING | - |



|                        |           |              |               |
|------------------------|-----------|--------------|---------------|
| NAME                   |           |              |               |
| OZ-1M CUSTOMER DRAWING |           |              |               |
| SIZE                   | CAGE CODE | DRAWING NO   | RESTRICTED TO |
| A3                     | 00779     | C=1440002-5  | -             |
| SCALE 4:1              |           | SHEET 2 of 2 | REV H         |

# Mouser Electronics

Authorized Distributor

Click to View Pricing, Inventory, Delivery & Lifecycle Information:

[TE Connectivity:](#)

[OZ-SS-112LM1,200](#)