



深圳市祺泰达电子有限公司

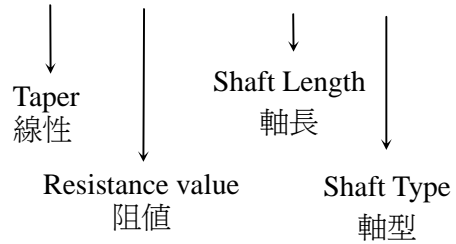
Shenzhen Qitaida Electronic Co., Ltd

16mm Metal Shaft Rotary Potentiometer (16mm 金屬軸旋轉電位器)

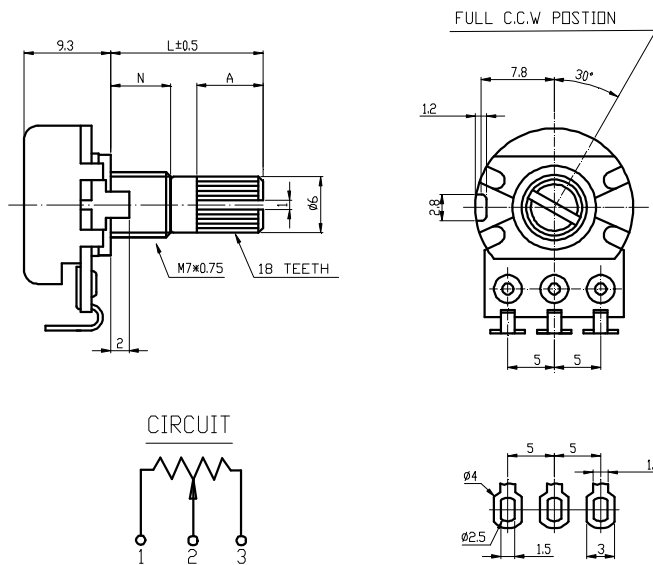


Part Number

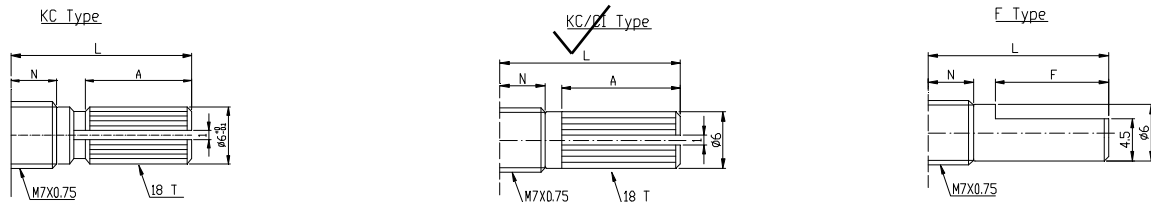
R1610NB - B 10K - L20 KC



Dimensions 規格尺寸



Shaft Type 軸型



		N=6.5mm							
Shaft Type	L	10	15	17	20	25	30	35	40
KC	A	2.2	6	8	10	12	12	12	12
	M	0.5	1	1	2	2	4	4	4
KC/CI	A	1.5	6.5	8.5	11.5	16.5	19		
F	F	2.5	7	7	12	12	12	12	12
R,RE	L	10	15	17	20	25	30	35	40



深圳市祺泰达电子有限公司

Shenzhen Qitaida Electronic Co., Ltd

16mm Metal Shaft Rotary Potentiometer (16mm 金屬軸旋轉電位器)

General 一般事項

使用溫度範圍 Operating temperature	-10 °C ~ +70 °C
手工焊接 Manual soldering	300 °C Max 3sec

Electrical Characteristics 電氣特性

總阻值(R) Total resistance	10KΩ
總阻值容許誤差 Resistance tolerance	±20% (more than 1MΩ ±30%)
阻值線性 Resistance taper	A B C W MN
摺動雜音 Sliding noise	Less than 47 mV
殘留阻值 Residual resistance	≤ 20 Ω (R>10K) ≤ 10 Ω (R≤10K)
絕緣阻抗 Insulation resistance	More than 100 MΩ at DC 500 V
定格電力 Rated power(W)	Linear (B) taper : 0.125 W Other taper : 0.06W
最高使用電壓 Max. Operating voltage	Linear (B) taper : 200 V Other taper : 150 V
耐電壓 Withstand voltage	1 Minute at AC 500 V

Mechanical Characteristics 機械特性

全回轉角度 Total rotational angle	300 °±5 °
全回轉扭力 Rotational torque	30~200 gf.cm
C.C 扭力 C.C torque	100~350gf.cm
全回轉止強度 Rotational stopper strength	8 Kgf.cm Max.
軸推拉強度 Shaft push-pull strength	7 Kgf. Max.
迴轉壽命 Rotational life	15,000 Cycles

