

制品介绍 INTRODUCTION

RA 厚膜排列電阻器具有高信賴性、高穩定性及價格便宜等特性，廣泛應用於各種電子機器 / 設備。

RA Thick film resistor networks, is with the features of high reliability, stability, and miniature package. It is applied for various electronic and electrical equipments.

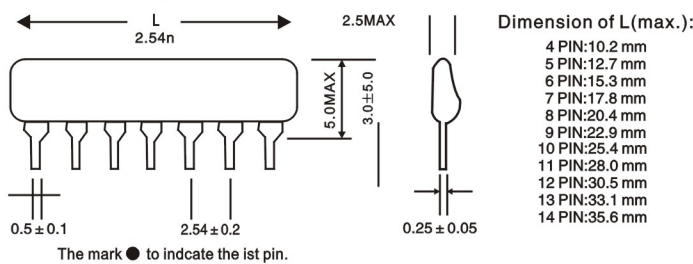
特徵 FEATURES

- 小型化高密度包裝
Miniature, high density package
- 高信賴性 High reliability
- 高穩定性 High stability

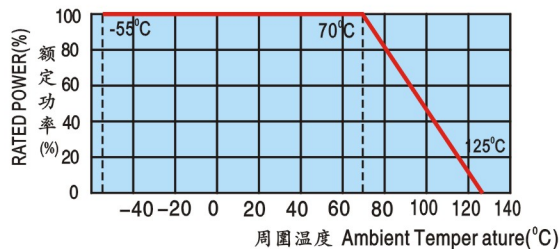
特性 CHARACTERISTICS

試驗項目 Test Items	規格值 Specified Value
溫度系數 Temp. coefficient of resistance	$\pm 200\text{PPM}/^\circ\text{C}$ for $50\Omega \sim 1\text{m}\Omega$ $\pm 250\text{PPM}/^\circ\text{C}$ for $<50\Omega$ or $>1\text{m}\Omega$
短時間過負荷 Short time overload	$\pm (0.05\% + 0.1\Omega)$
耐電壓 Dielectric withstanding voltage	無損壞的異狀 No evidence of damage
絕緣抵抗 Insulation resistance	$> 10^4\text{M}\Omega$
端子強度 Terminal strength	$\pm (0.5\% + 0.1\Omega)$
耐濕負荷 Moisture load life	$\pm (3\% + 0.1\Omega)$
壽命實驗(定格負荷) 70°C Load life at 70°C	$\pm (3\% + 0.1\Omega)$
溫度循環 Temperature cycling	$\pm (0.5\% + 0.1\Omega)$
焊錫耐熱性 Resistance to soldering heat	$\pm (0.5\% + 0.1\Omega)$
焊錫附著性 Resistance to soldering heat	$> 95\%$
耐溶劑性 Resistance to solvent	無損壞的異狀 No evidence of damage

形狀及尺寸 STYLE & DIMENSIONS



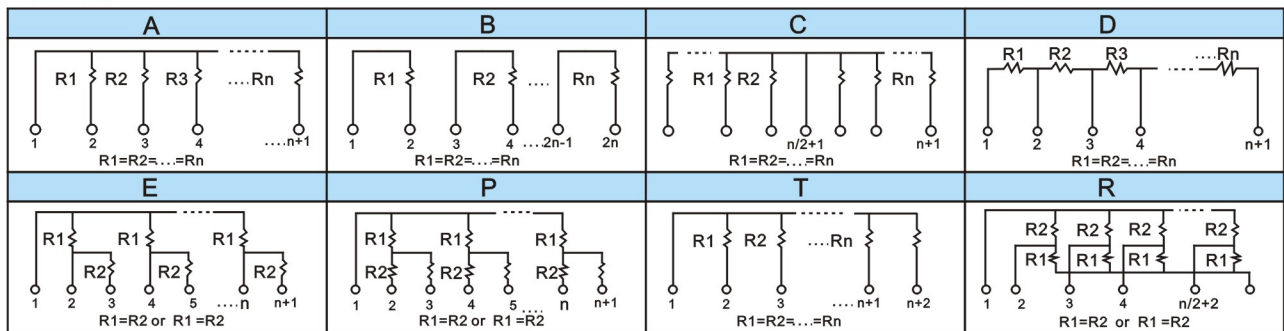
功率曲線 DERATING CURVE



規格 PATING

額定電力 Power Rating	最高工作電壓 Max-working Voltage	最高過負荷電壓 Max Over load Voltage	耐電壓 Dielectric withstanding Voltage	電阻值範圍 Resistance Range
B type: 0.2W Others: 0.125W	250V	400V	300V	R type: $100\Omega \sim 10\text{K}\Omega$ Others: $10\Omega \sim 1\text{M}\Omega$

回路結構 CIRCUIT STRUCTURE



訂貨方式 HOW TO ORDER

