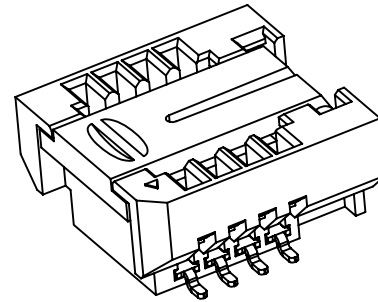
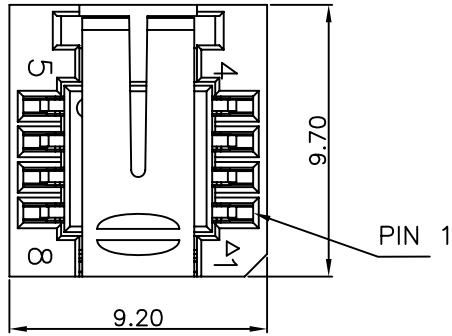
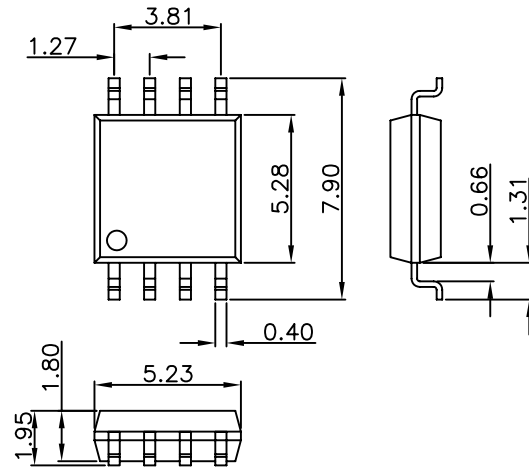
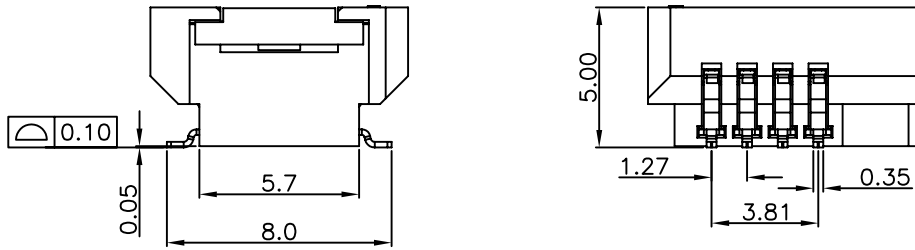


A B C D E F

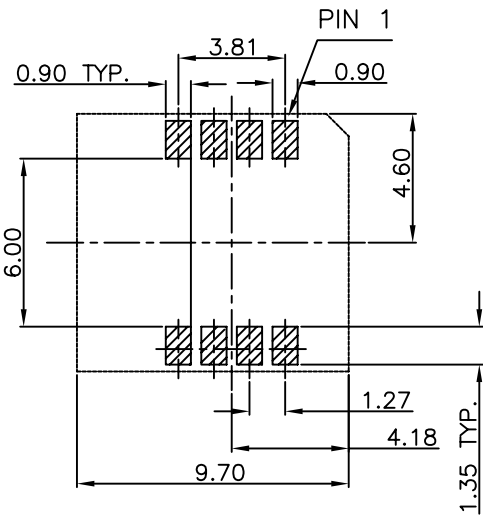


- NOTES:
- MATERIAL:
 - HOUSING: THERMOPLASTIC, HIGH TEMP., UL94V-0; COLOR:NATURAL.
 - COVER: THERMOPLASTIC, HIGH TEMP., UL94V-0; COLOR:BLACK.
 - CONTACT: COPPER ALLOY
 - FINISH:
 - CONTACT:
 - 50u" MIN. NICKEL UNDERPLATING OVERALL.
 - 100u" MIN. PURE TIN OVERALL,
 - REFLOW SOLDER CAPABLE TO 260°C PER ACES SPEC.
 - SPEC. PLS. REFER TO PS-91960-XXXX
 - PACKAGE PLS. REFER TO 91960-XXXX-TRP
 - PART NUMBER

91960-XXX X X
 NO OF CKT 008 PLATING L: PURE TIN OVERALL(LEAD FREE)
 PACKING 4:TAPE & REEL WITH MYLAR



RECOMMENDED SOIC LAYOUT
 GENERAL TOLERANCE ±0.05

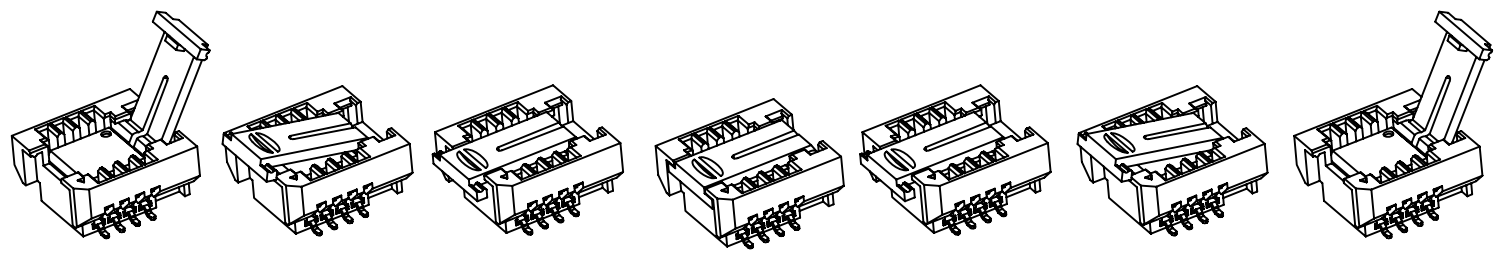


RECOMMENDED PCB LAYOUT
 GENERAL TOLERANCE ±0.05

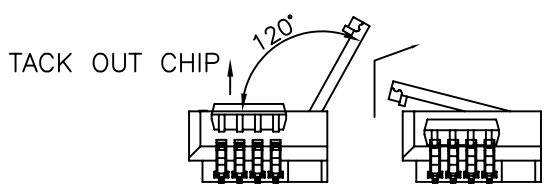
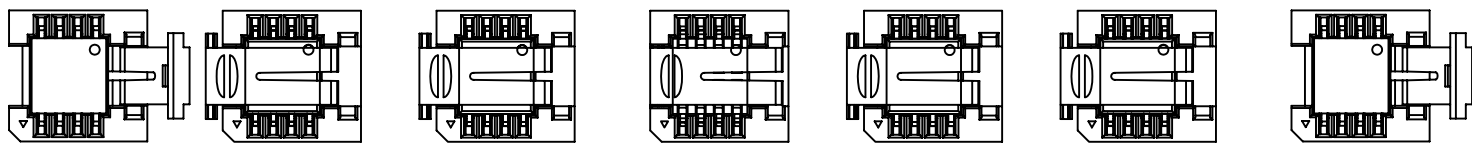
一般公差 TOLERANCES X ±0.5 XX ±0.15 X ±0.25 XXX ±0.1 ANGLES ±2°		宏致電子股份有限公司 Aces Electronic Co.,Ltd.	
檢驗尺寸標示 SYMBOLS ① ② INDICATE CLASSIFICATION DIMENSION ③ MARK IS CRITICAL DIM. ④ MARK IS MAJOR DIM.		品名 (TITLE) 1.27mm PSI FLASH SOCKET SMT S/T TYPE	製圖 (DR) 06/11/15 WARLES
		圖號 (DWG.NO) 91960-XXXXX	審核 (CHKD) SEAN
		表面處理 (FINISH)	核准 (APPD) 06/11/15 JASON
0 ECN0611076 發行/核准圖面 日期 06/11/15 申請人 Warles		比例 (SCALE) 4:1	單位 (UNITS) mm
修訂/REV 描述/DESCRIPTION 日期/DATE 申請人/SIGNATURE		張數 (SHEET) 1 OF 2	尺寸/REV A4 0

A B C D E F

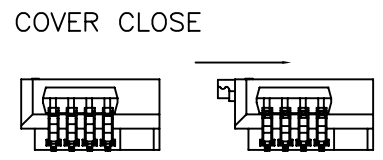
A B C D E F



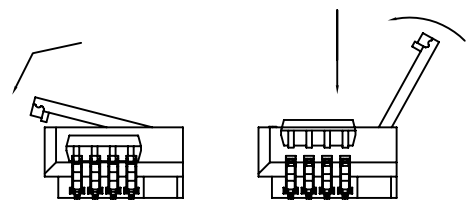
STEP 7 STEP 6 STEP 5 STEP 4 STEP 3 STEP 2 STEP 1



TACK OUT CHIP



COVER CLOSE



CHIP INSIDE WHEN COVER OPEN

COVER OPEN ANGLE 120°

REV	DESCRIPTION	DATE	SIGNATURE
SEE PAGE 1			

一般公差 TOLERANCES X ±0.5 XX ±0.15 Y ±0.25 Z ±0.1 ANGLES ±2°		宏致電子股份有限公司 Aces Electronic Co.,Ltd.	
檢驗尺寸標示 SYMBOLS ⊕ ⊕ INDICATE CLASSIFICATION DIMENSION ⊕ MARK IS CRITICAL DIM. ⊕ MARK IS MAJOR DIM.	品名 (TITLE) 1.27mm PSI FLASH SOCKET SMT S/T TYPE 圖號 (DWG.NO) 91960-XXXXX	製圖 (DR) 06/11/15 WARLES 審核 (CHKD) 06/11/15 SEAN 核准 (APPD) 06/11/15 JASON	張數 (SHEET) 2 OF 2 尺寸 (SIZE) A4 版次 (REV) 0
表面處理 (FINISH)	比例 (SCALE) 2:1	單位 (UNITS) mm	

A B C D E F