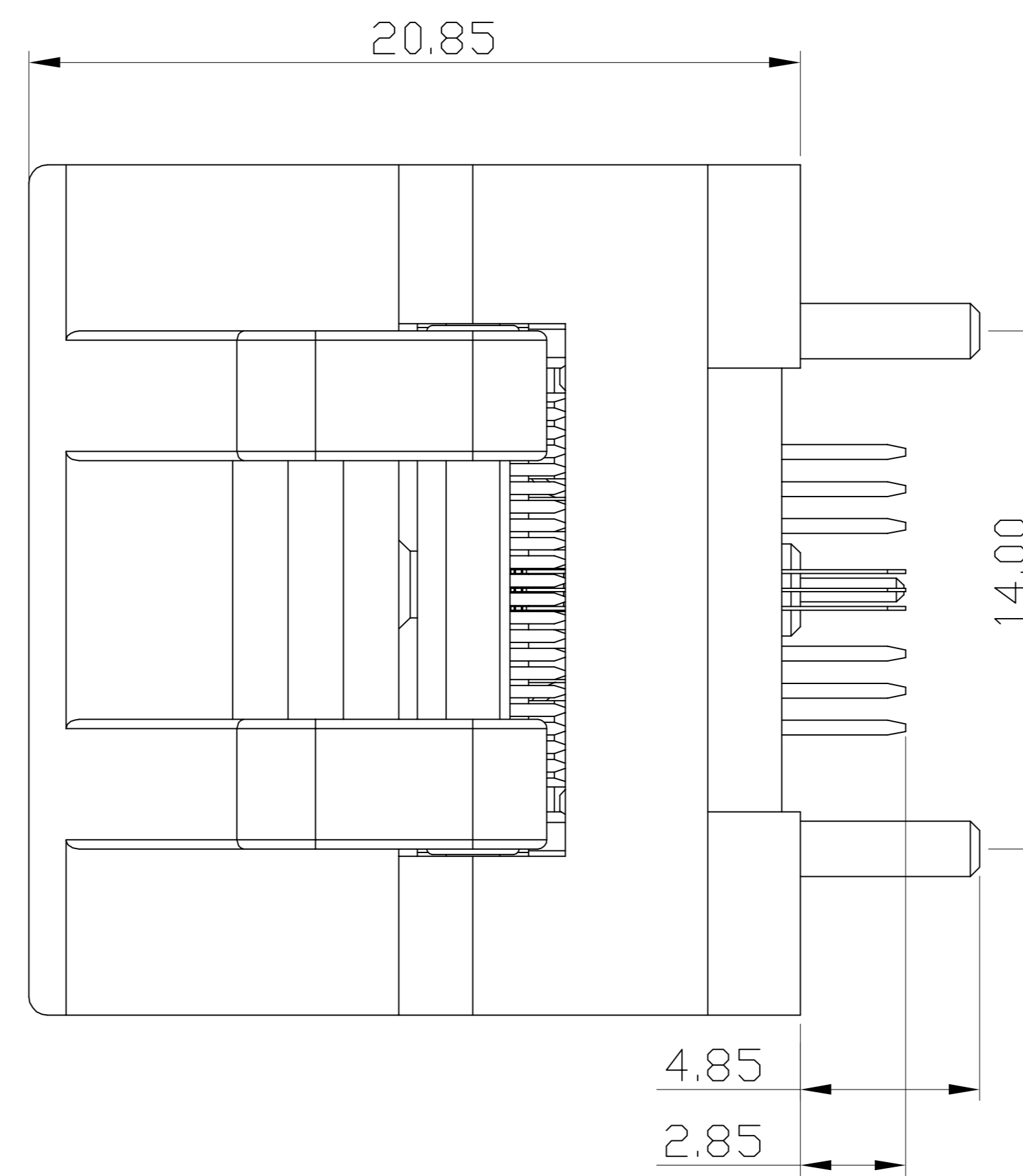
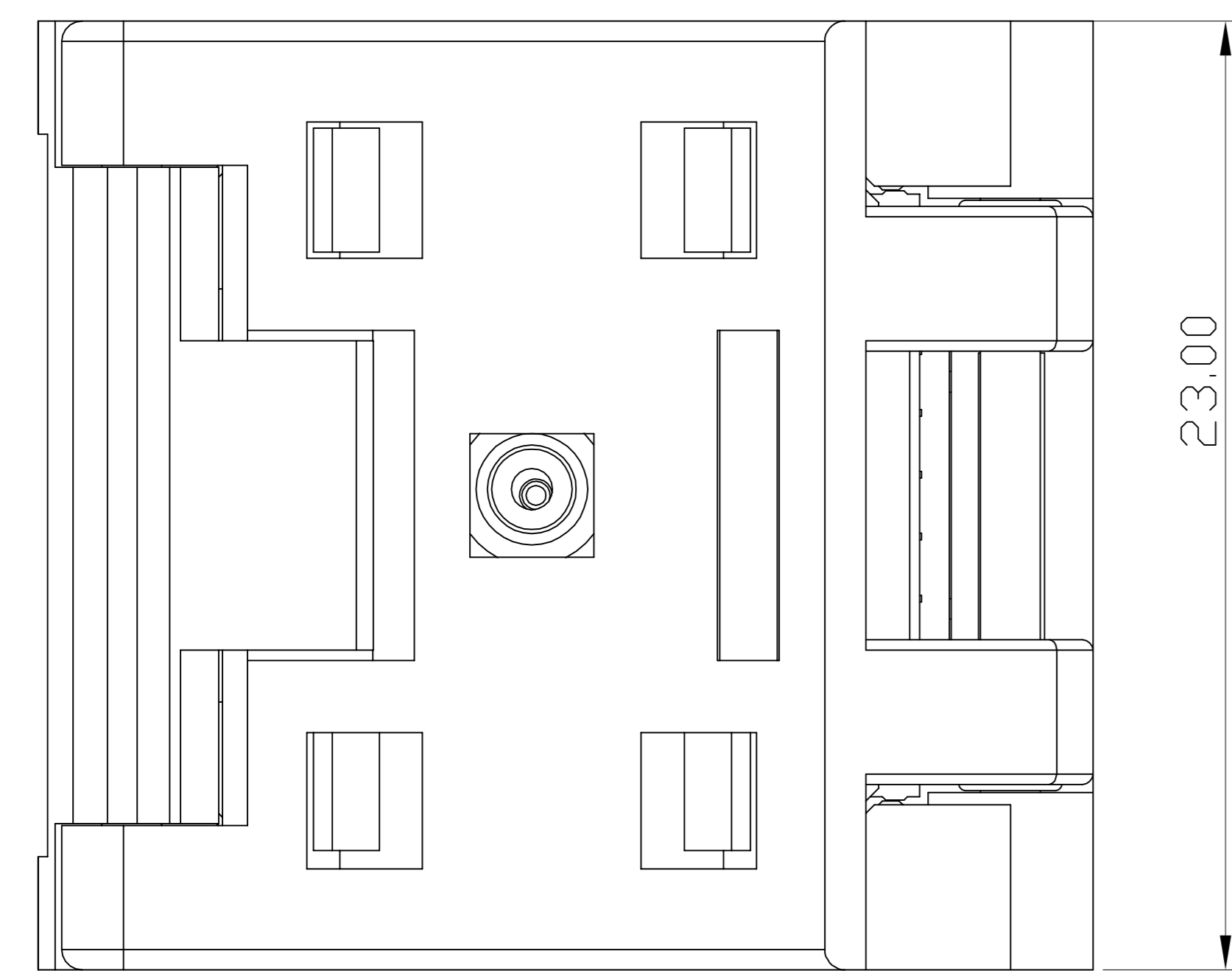
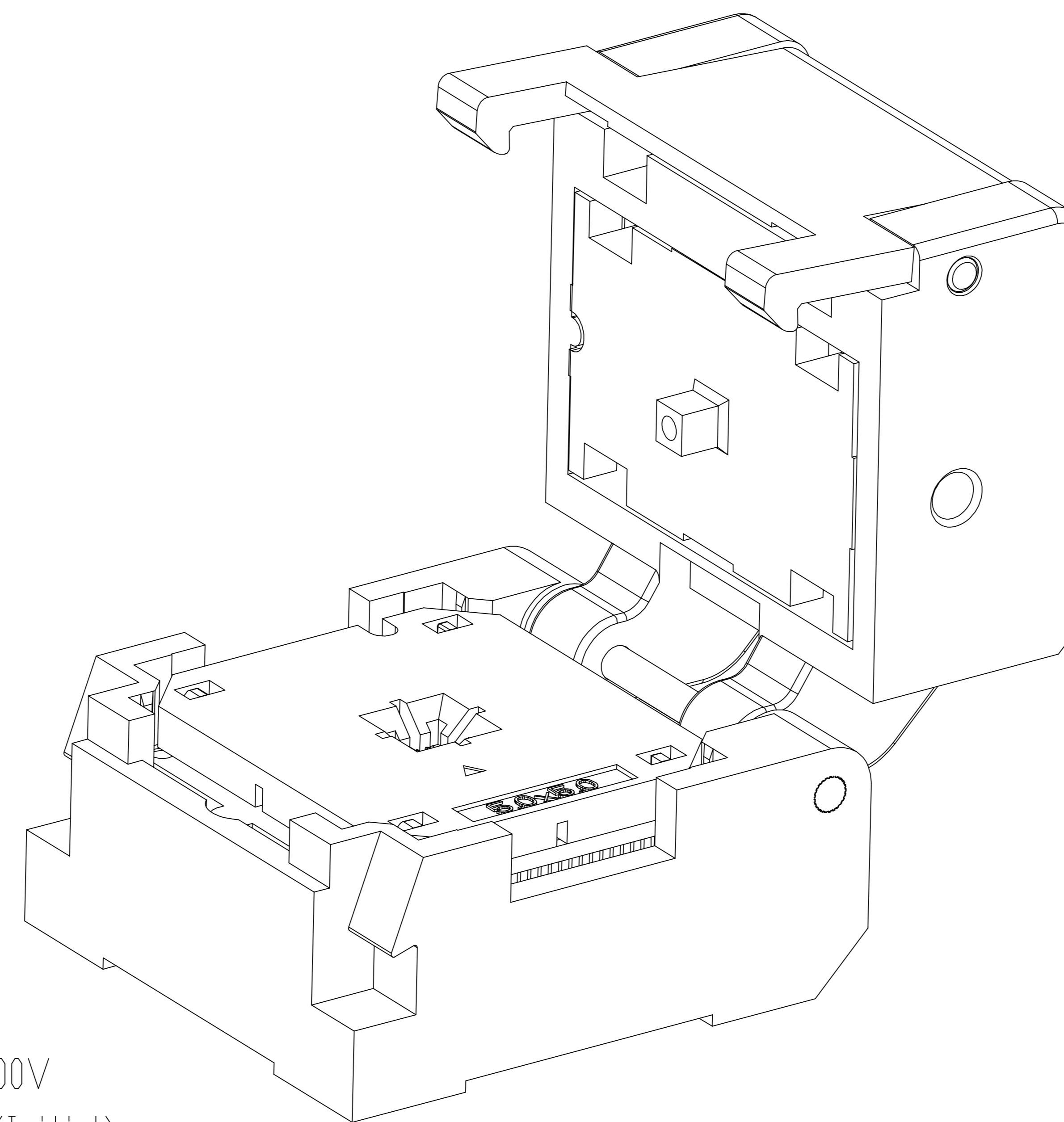
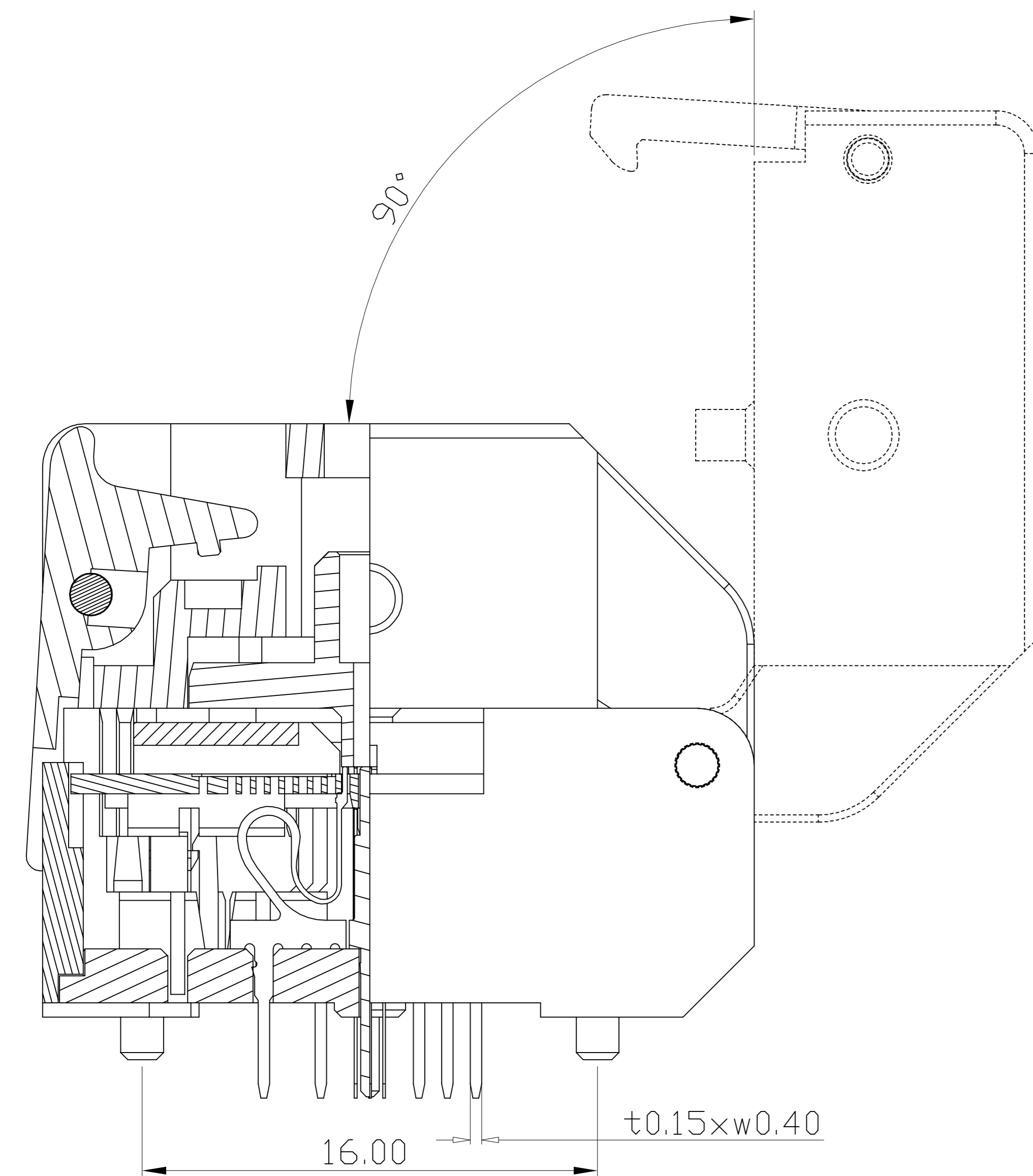
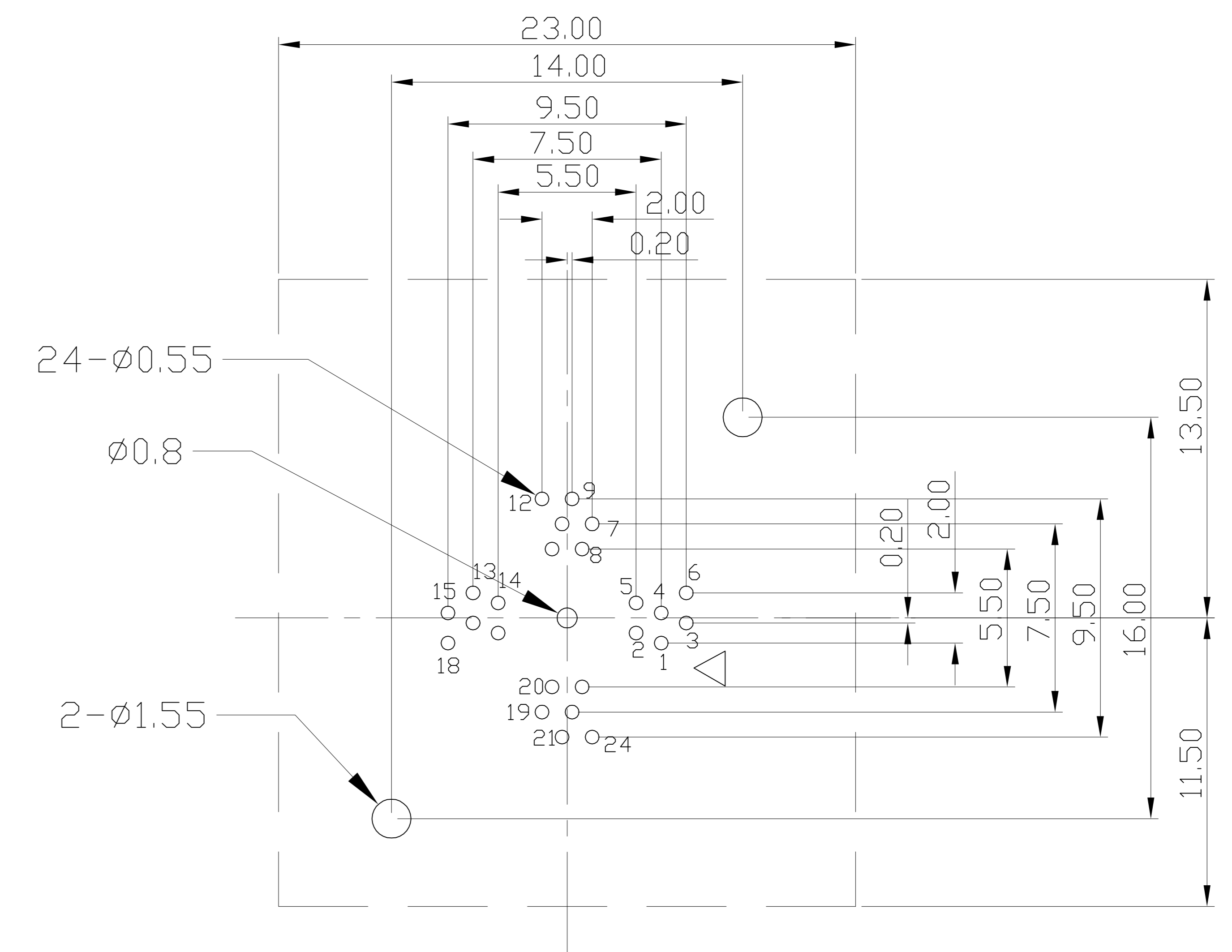


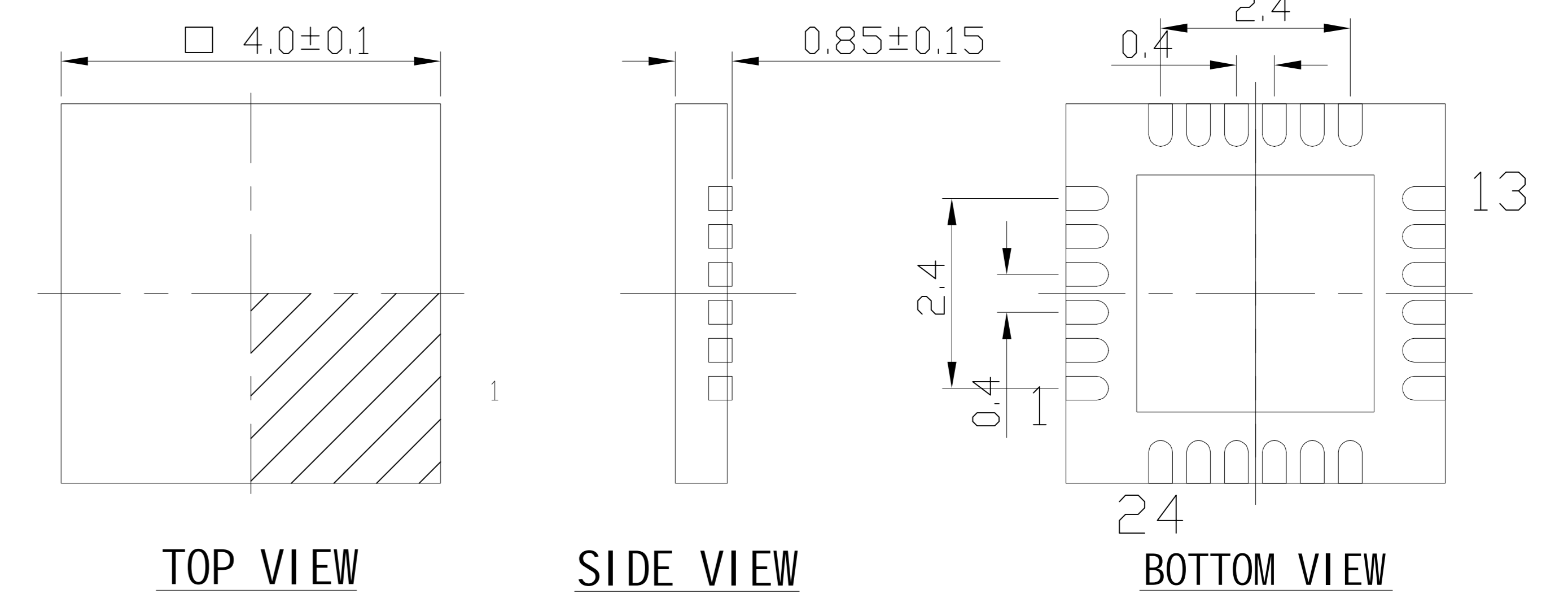
REVISION	DESCRIPTION	CHECK	APP	DATE	REV. NOTICE. NO
△1					
△2					
△3					



PCB Pattern(TOP View)



Applicable IC



PERFORMANCE

1. Insulation Resistance: 1000MΩ Min.At DC 500V
2. Dielectric Withstanding Voltage For 1 Minute At AC 700V
3. Contact Resistance 30mΩ MAX. at 10mA and 20mV MAX.(Initial)
4. Current Rating: 1A max.
5. Operation Temperature -55°C ~+175°C
6. Life Span 15,000 Times (Mechanical)
7. Operation Force 2.0 Kg MAX

TOLERANCE	PROJECTION	GENERAL TOLERANCES	±0.10	TITLE	QFN24-0.4 SOCKET
X. ±0.50	DIMENSION:	mm	SCALE: 1:1	CLASS	QFN24-0.4-CP01GT
X.X ±0.25	APP:		DATE:	DRW. NO	6U-PWQFN-0.4-24-4X4-01
X.XX ±0.10	CHECK:		DATE:		
X.XXX ±0.05	DEGK: ENG03		DATE: 20150606		