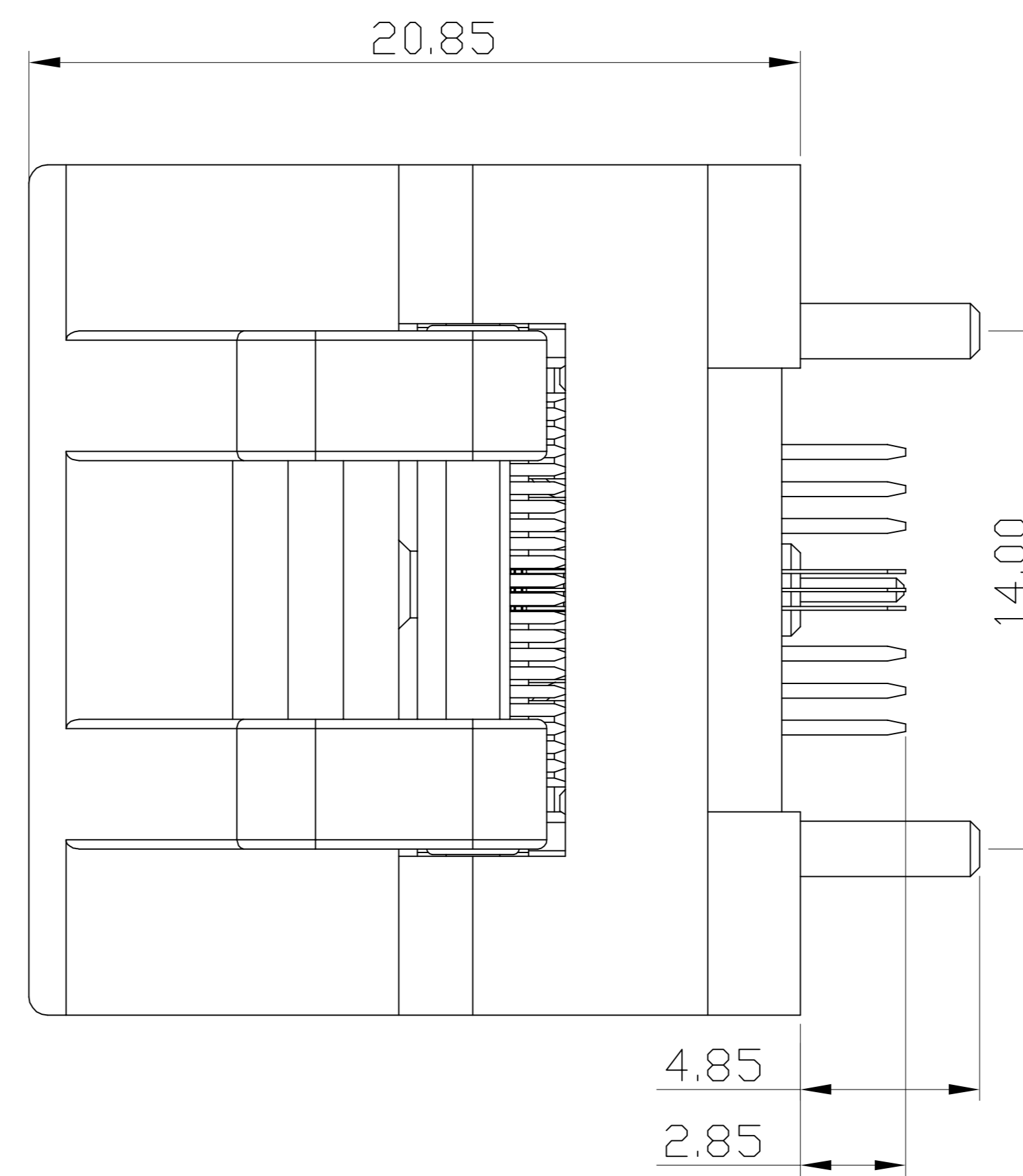
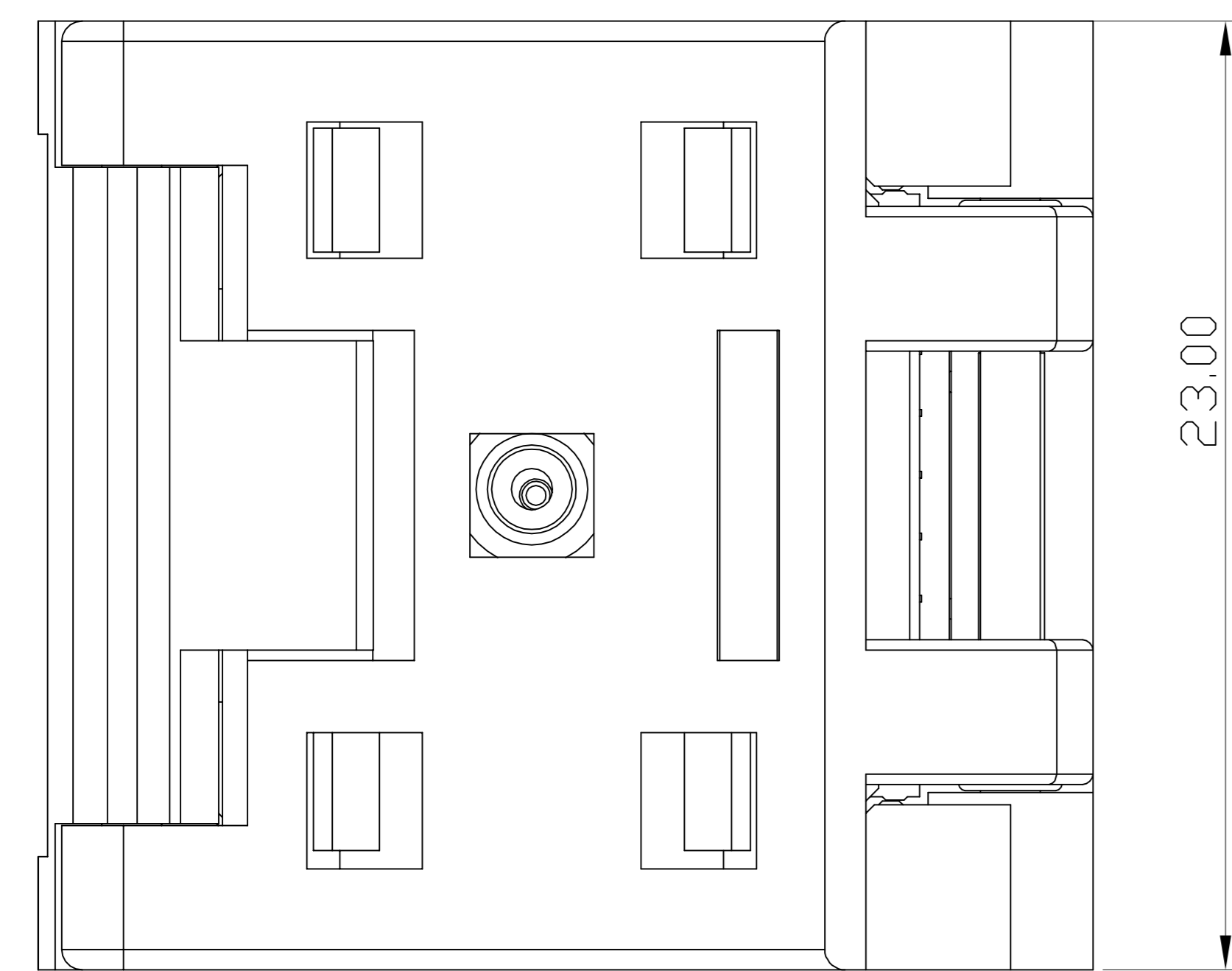
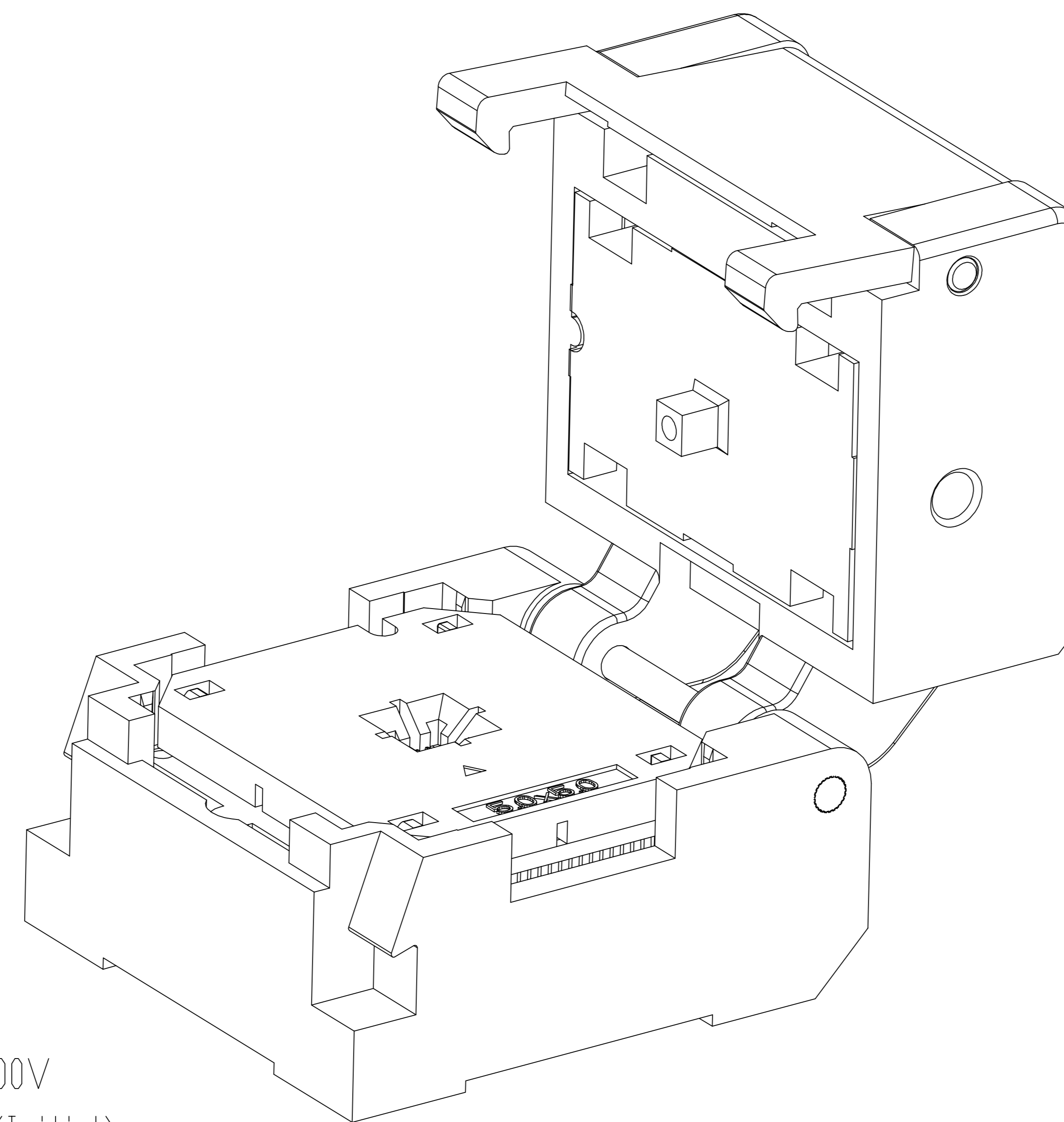
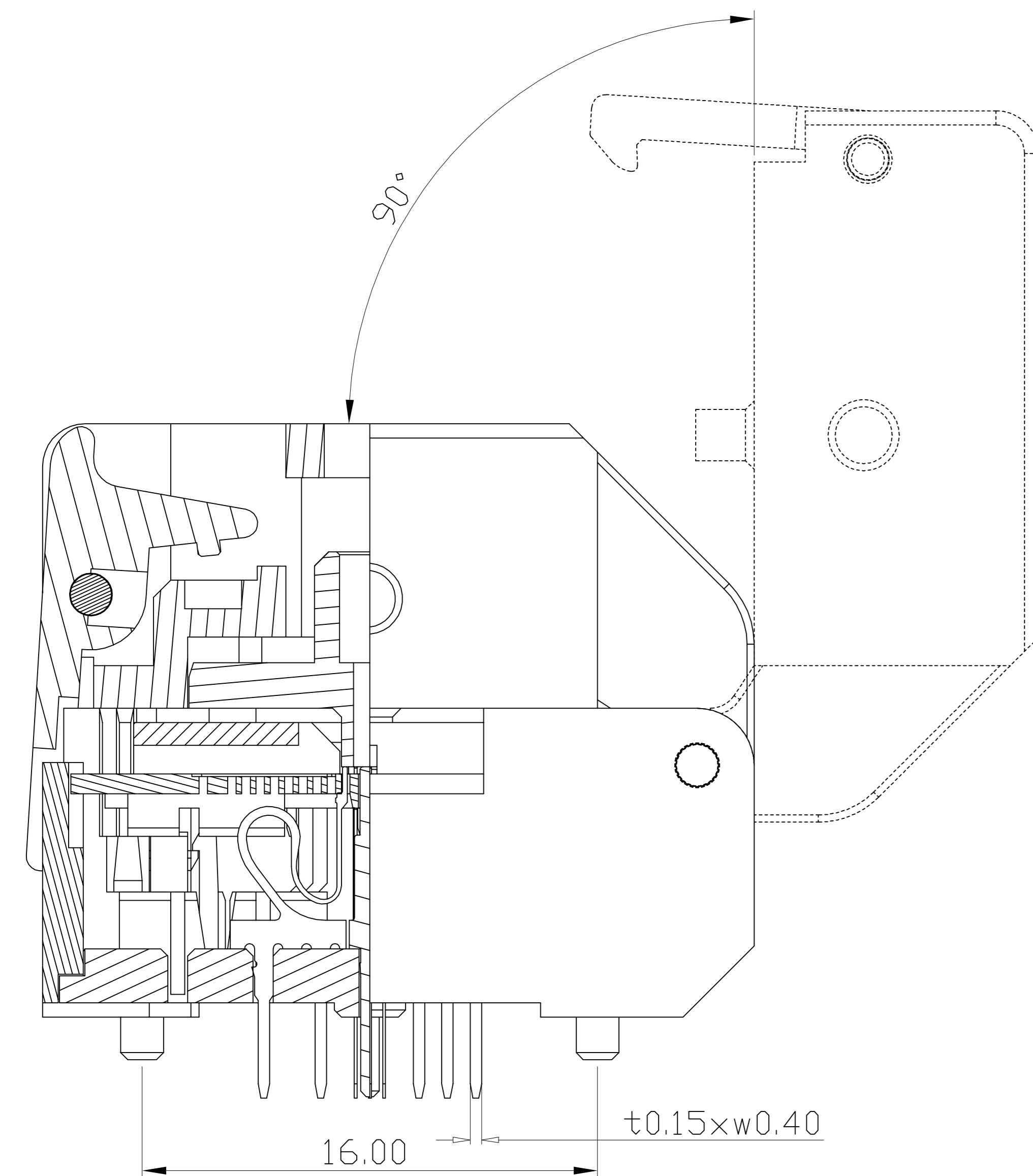
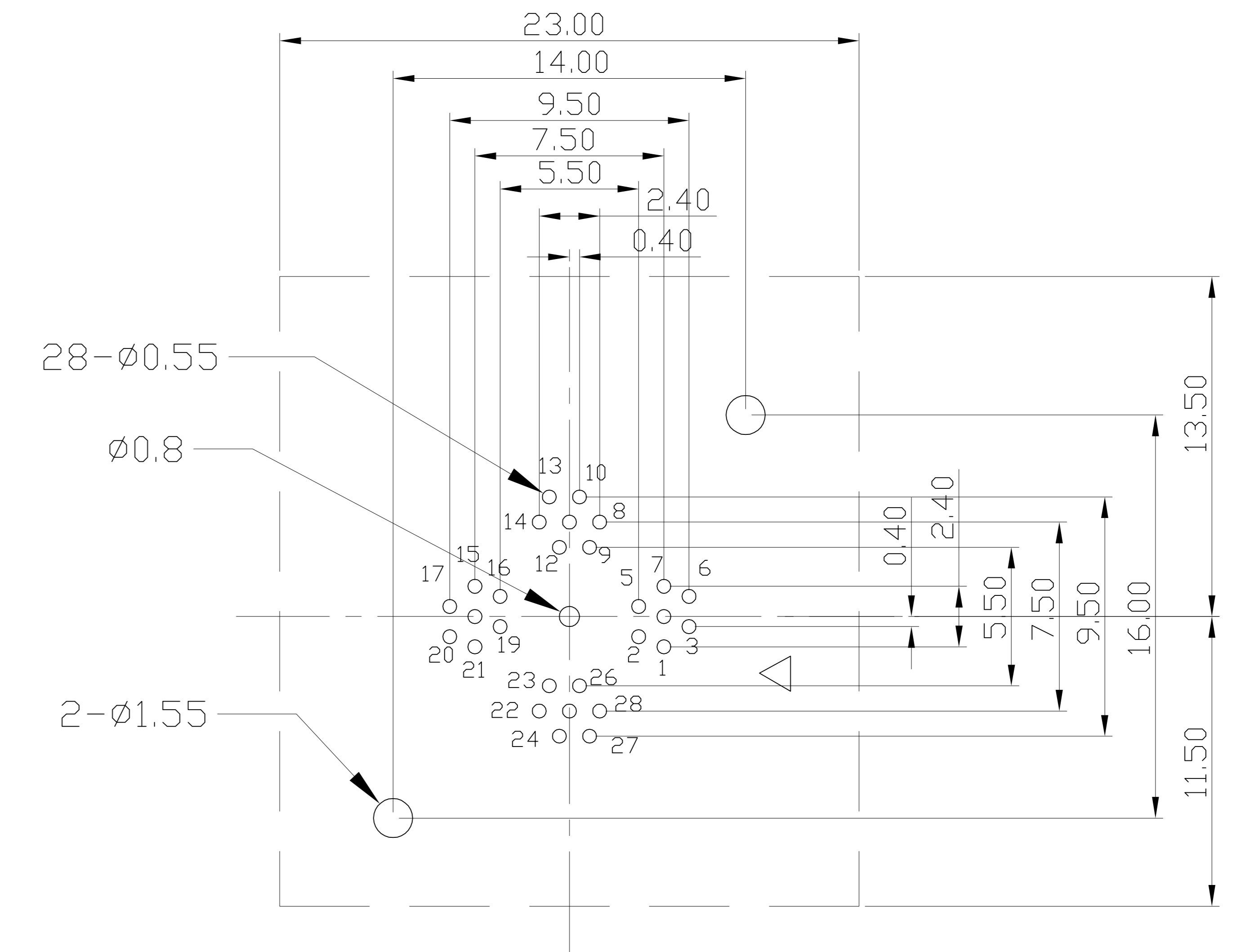


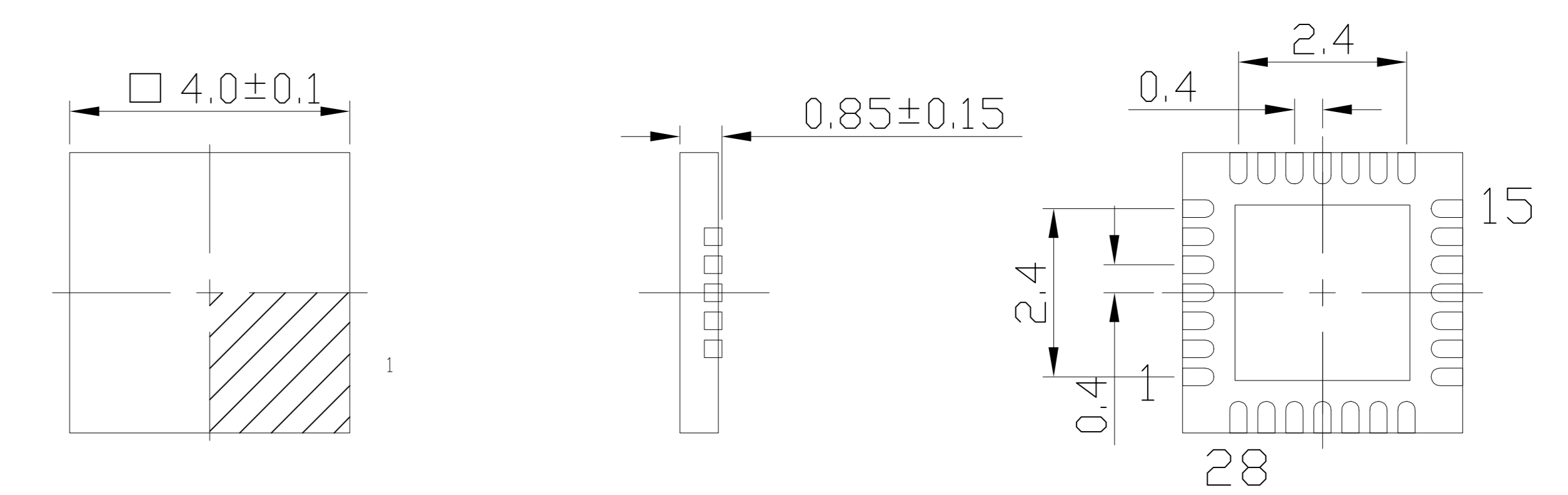
REVISION	DESCRIPTION	CHECK	APP	DATE	REV. NOTICE. NO
△ 1					
△ 2					
△ 3					



PCB Pattern(TOP View)



Applicable IC



TOP VIEW

SIDE VIEW

BOTTOM VIEW

PERFORMANCE

- 1、Insulation Resistance: 1000M $\Omega$  Min.At DC 500V
- 2、Dielectric Withstanding Voltage For 1 Minute At AC 700V
- 3、Contact Resistance 30m $\Omega$  MAX. at 10mA and 20mV MAX.(Initial)
- 4、Current Rating: 1A max.
- 5、Operation Temperature -55°C ~+175°C
- 6、Life Span 15,000 Times (Mechanical)
- 7、Operation Force 2.0 Kg MAX

TOLERANCE	PROJECTION	GENERAL TOLERANCES	±0.10	TITLE	QFN28-0.4 SOCKET
X.	± 0.50	RE V	A	CLASS	QFN28-0.4-CP01GT
X. X	± 0.25	SCALE:	1:1	DRW. NO	6U-PWQFN-0.4-28-4X4-01
X. XX	± 0.10	APP:	DATE:		
X. XXX	± 0.05	CHECK:	DATE:		
		DEGK: ENG03	DATE: 20150606		