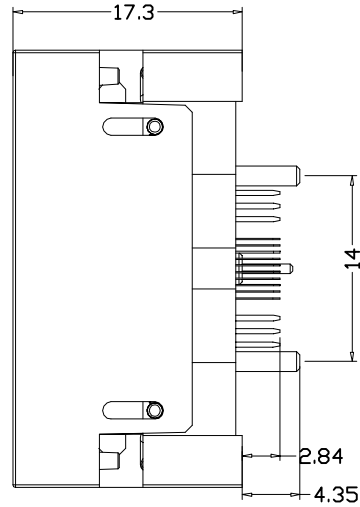
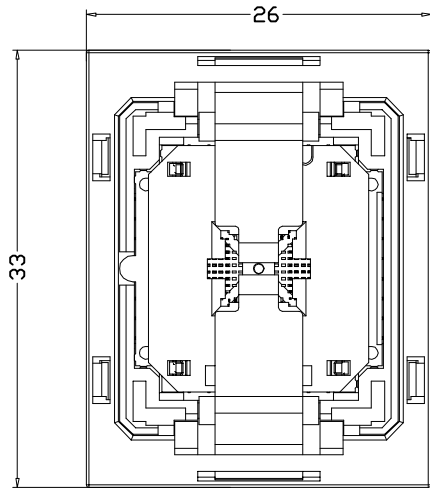
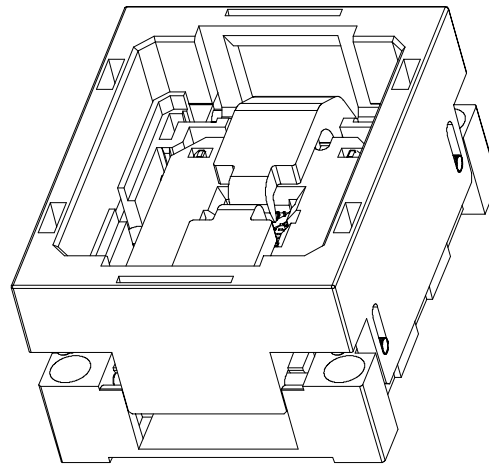
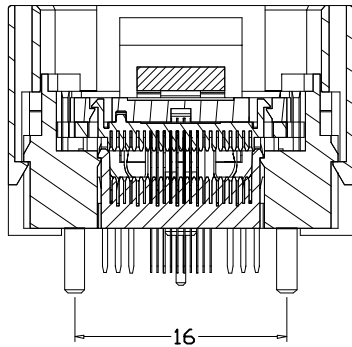
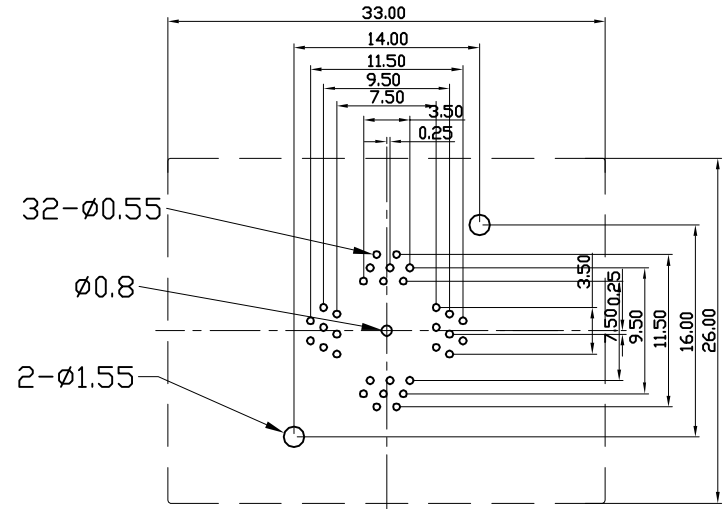


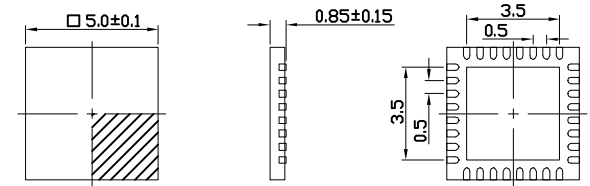
| REVISION | DESCRIPTION | CHECK | APP | DATE | REV. NOTICE. NO |
|----------|-------------|-------|-----|------|-----------------|
| △1       |             |       |     |      |                 |
| △2       |             |       |     |      |                 |
| △3       |             |       |     |      |                 |



PCB Pattern(TOP View)



Applicable IC



TOP VIEW

SIDE VIEW

BOTTOM VIEW

**PERFORMANCE**

1. Insulation Resistance: 1000MΩ Min.At DC 500V
2. Dielectric Withstanding Voltage For 1 Minute At AC 700V
3. Contact Resistance 30mΩ MAX. at 10mA and 20mV MAX.(Initial)
4. Current Rating: 1A max.
5. Operation Temperature -40°C ~+155°C
6. Contact Force 8-10g Per Pin (Normal)
7. Life Span 15,000 Times (Mechanical)
8. Operation Force 2.0 Kg MAX

|            |    |                    |          |         |                       |
|------------|----|--------------------|----------|---------|-----------------------|
| PROJECTION |    | GENERAL TOLERANCES | ±0.10    | TITLE   | QFN32-0.5 SOCKET      |
|            |    | R E V              | A        | CLASS   | QFN032-0.5-TP01G      |
| DIMENSION: | mm | SCALE:             | 1:1      | DRW. NO | QFN032-0.5-TP01G-A-01 |
| APP:       |    | DATE:              |          |         |                       |
| CHECK:     |    | DATE:              |          |         |                       |
| DECK:      |    | DATE:              | 20120822 |         |                       |