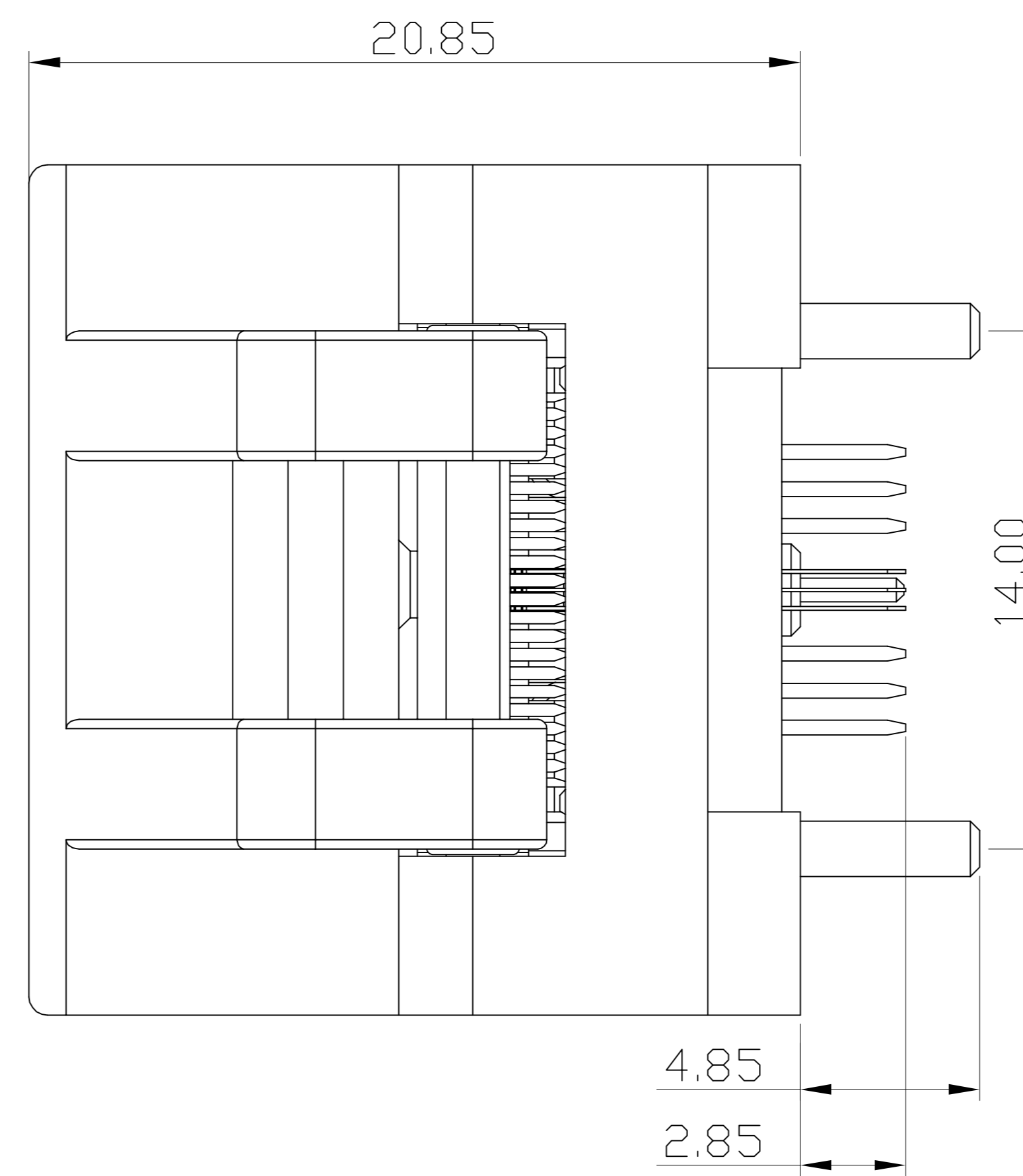
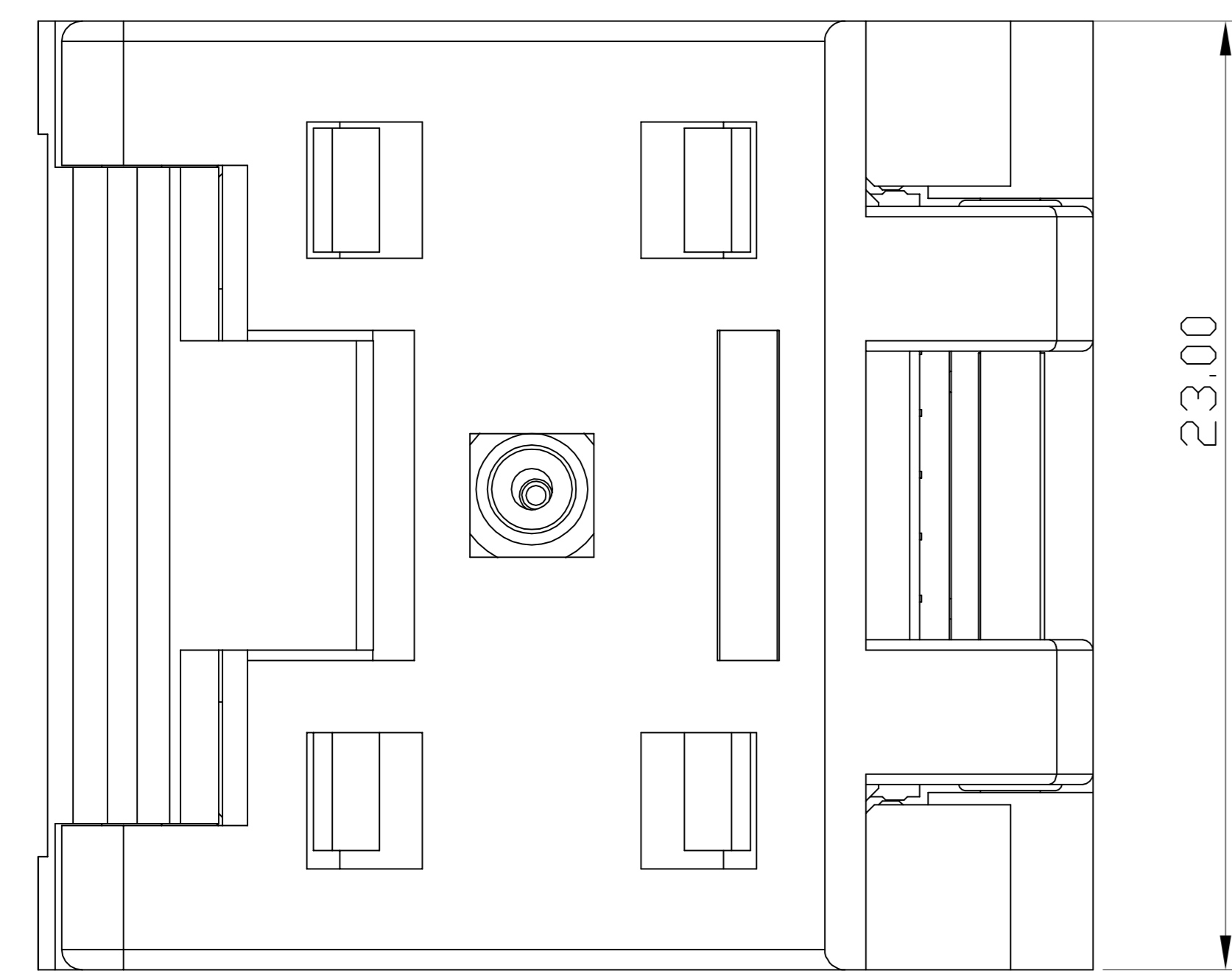
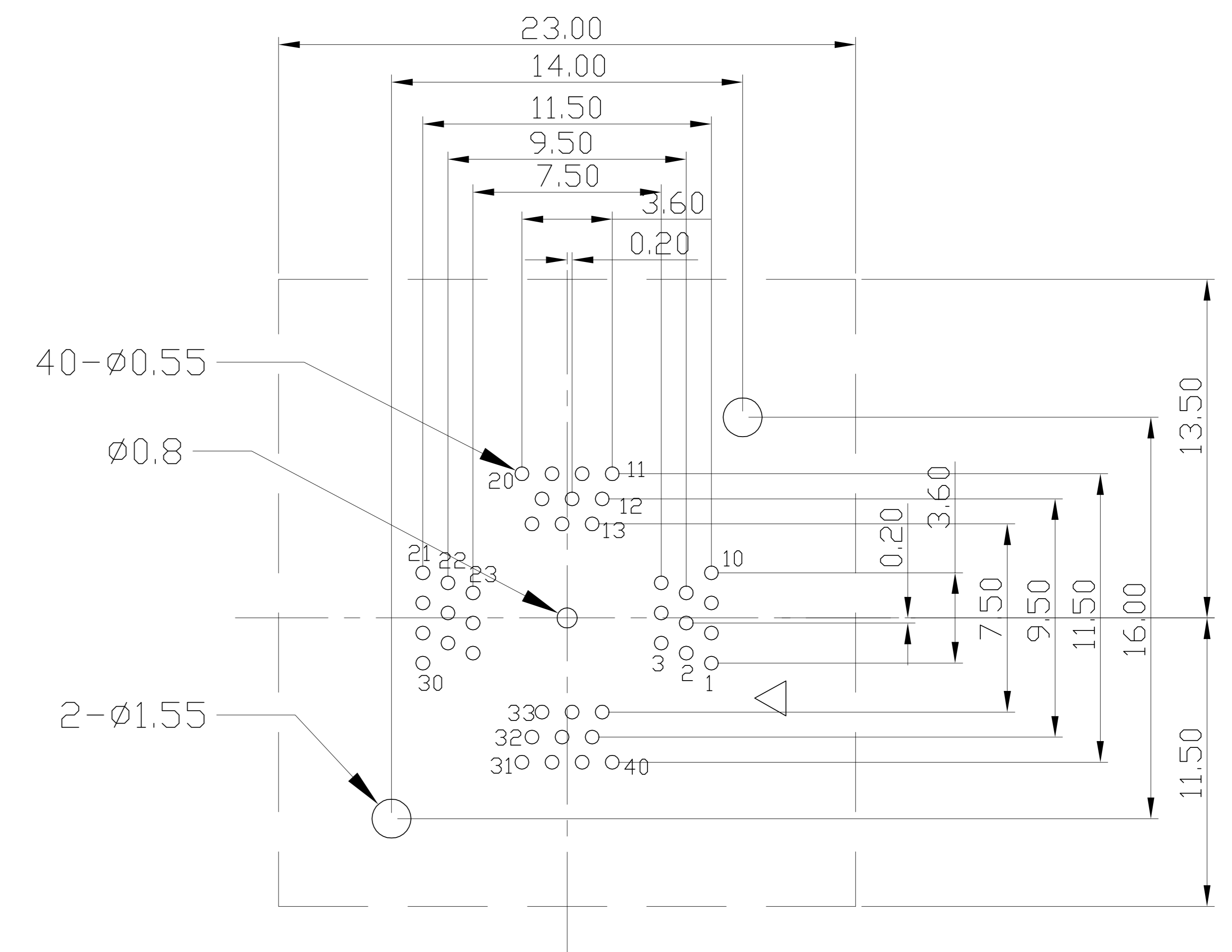


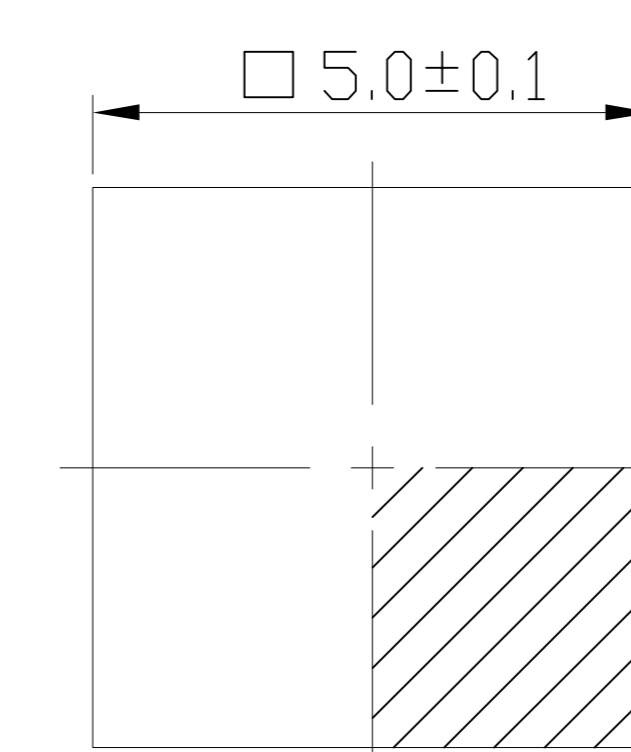
REVISION	DESCRIPTION	CHECK	APP	DATE	REV. NOTICE. NO
△1					
△2					
△3					



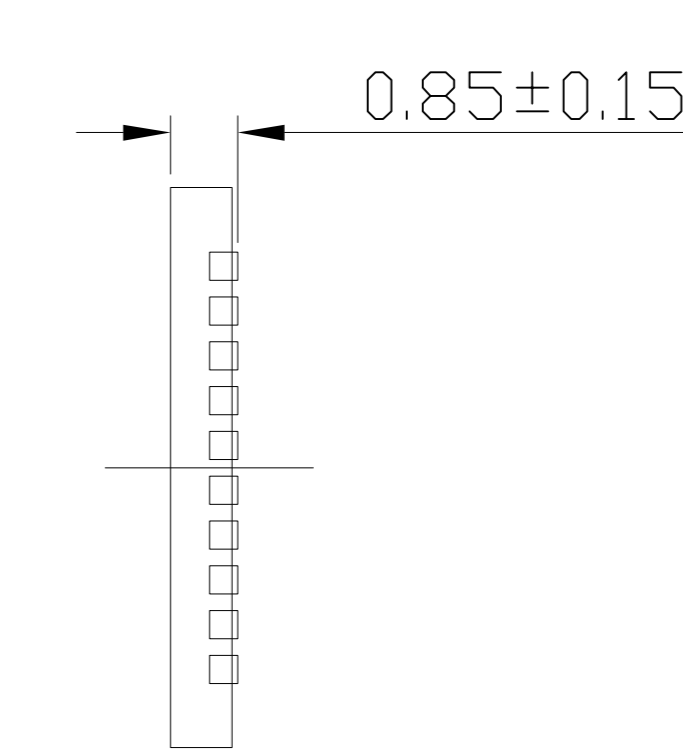
PCB Pattern(TOP View)



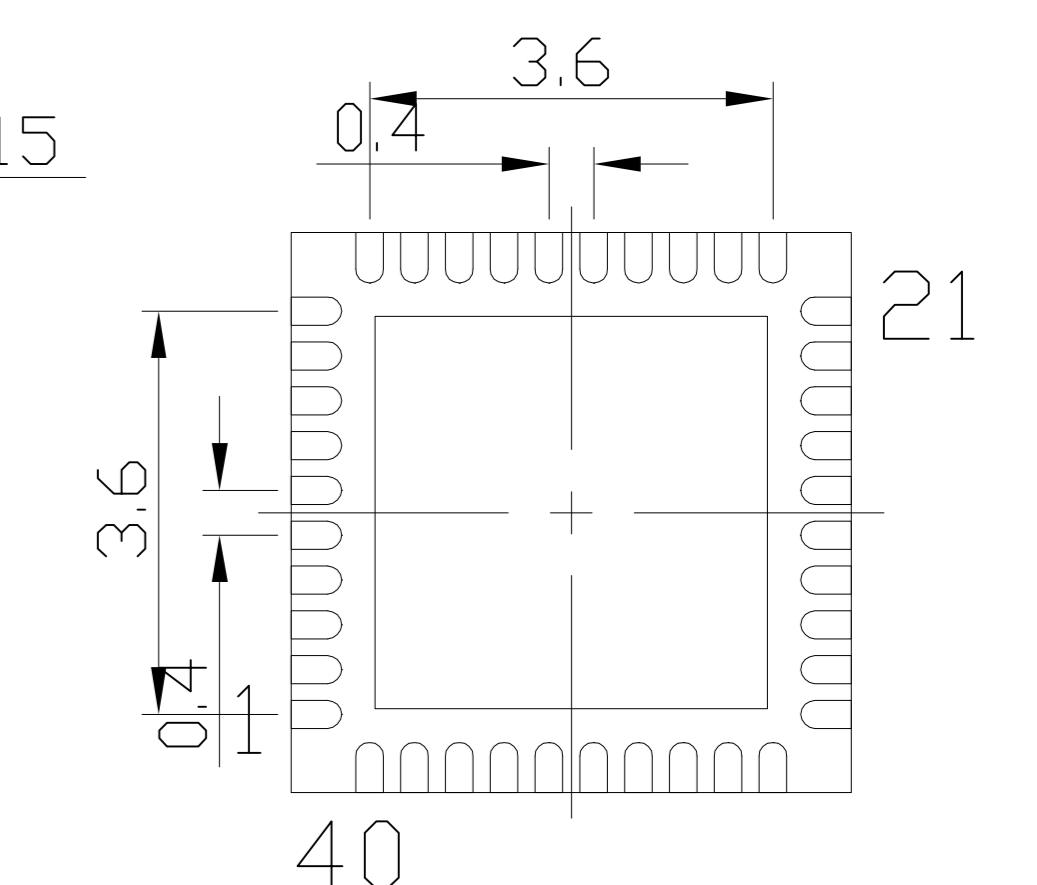
Applicable IC



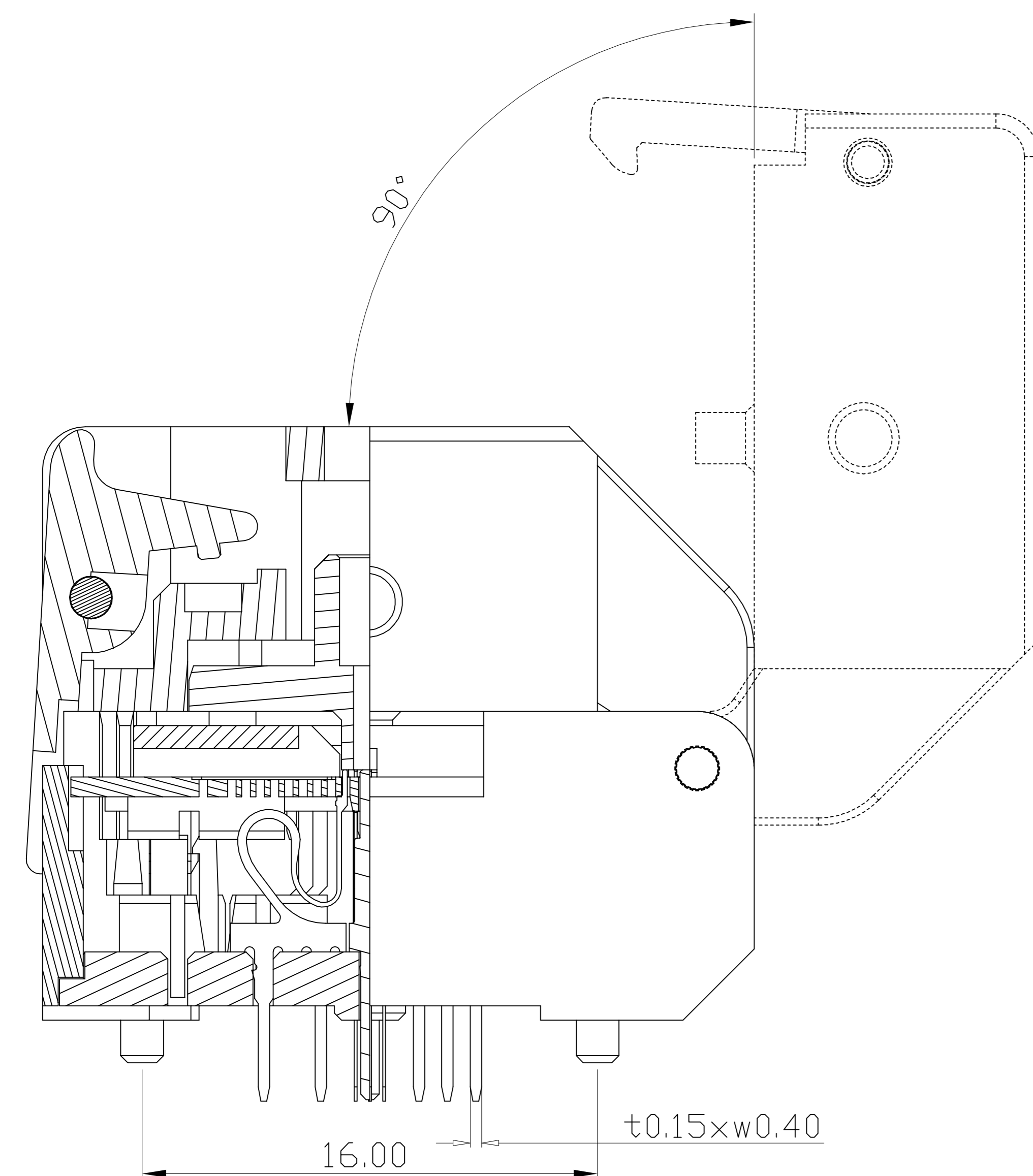
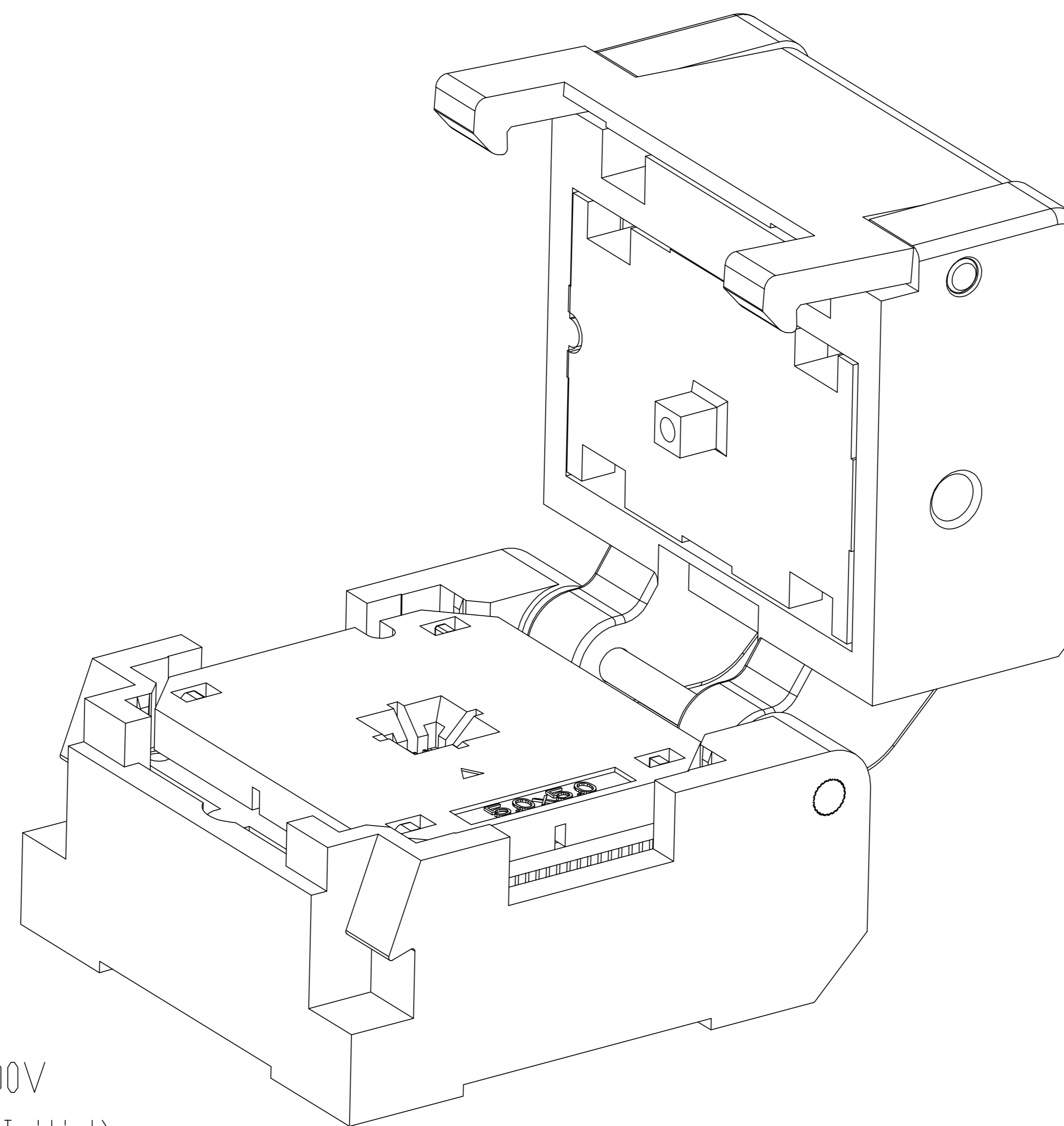
TOP VIEW



SIDE VIEW



BOTTOM VIEW



PERFORMANCE

- 1、Insulation Resistance: 1000MΩ Min.At DC 500V
- 2、Dielectric Withstanding Voltage For 1 Minute At AC 700V
- 3、Contact Resistance 30mΩ MAX. at 10mA and 20mV MAX.(Initial)
- 4、Current Rating: 1A max.
- 5、Operation Temperature -55°C ~+175°C
- 6、Life Span 15,000 Times (Mechanical)
- 7、Operation Force 2.0 Kg MAX

TOLERANCE	PROJECTION	GENERAL TOLERANCES	±0.10	TITLE	QFN40-0.4 SOCKET
X. ± 0.50	DIMENSION:	mm	SCALE: 1:1	CLASS	QFN40-0.4-CPO1GT
X.X ± 0.25	APP:		DATE:	DRW. NO	6U-PWQFN-0.4-40-5X5-01
X.XX ± 0.10	CHECK:		DATE:		
X.XXX ± 0.05	DEGK: ENG03		DATE: 20150606		